

# Combi 4 Robinia

FRO104

**KOMPAN**  
Let's play



Compact and complete street workout and calisthenics combination for training and competition. It features an incline bench, parallel bars, push up bar, decline press, Swedish ladder, human flagpole and pull up station. Seven workout stations in one, and all within only 41 m<sup>2</sup>. The 138cm wide pull up bars are designed to give plenty of space for

dynamic exercises and promote sideways exercises such as the typewriter pull up. The wide bars also allow for users to do pull ups next to each other and thereby compete or motivate each other.

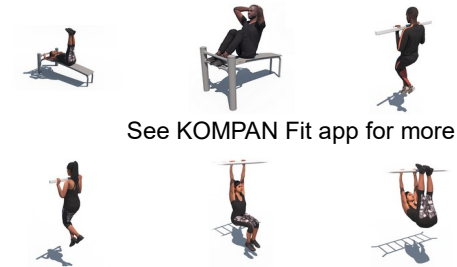
The Robinia bars are made from de-barked and sap free Robinia trunks in various dimensions. Robinia is a native European

wood species with high strength and natural durability in various climatic conditions. KOMPAN uses wood from FSC-certified sources.

Item no. FRO10400-1001

## General Product Information

|                       |                |
|-----------------------|----------------|
| Dimensions LxWxH      | 390x441x261 cm |
| Age group             | 13+            |
| Play capacity (users) | 8              |
| Colour options        |                |



# Combi 4 Robinia

FRO104



All Organic Robinia products by KOMPAN are made of Robinia wood from sustainable European sources. On request it can be supplied as FSC® Certified (FSC® C004450).

The Robinia wood can be supplied as untreated raw wood or painted with a brown coloured transparent pigment that maintains the golden wood colour of the wood.



The pull up bar is made from Ø32 mm HDG steel bar. The bar is 1080mm wide and 2300mm above ground

| Item no. FRO10400-1001   |                          |
|--------------------------|--------------------------|
| Installation Information |                          |
| Max. fall height         | 233 cm                   |
| Safety surfacing area    | 42.4 m²                  |
| Total installation time  | 15.4                     |
| Excavation volume        | 1.61 m³                  |
| Concrete volume          | 0.41 m³                  |
| Footing depth (standard) | 100 cm                   |
| Shipment weight          | 815 kg                   |
| Anchoring options        | In-ground ✓<br>Surface ✓ |
| Warranty Information     |                          |
| EcoCore HDPE             | Lifetime                 |
| Hot dip galvanised steel | Lifetime                 |
| Robinia wood             | 15 years                 |
| Spare parts guaranteed   | 10 years                 |



The surface is made of Ekogrip™ panels, consisting of 15mm polyethylene with a 3mm top-layer of thermoplastic rubber. The Ekogrip™ panels have a non-skid effect for comfortable and safe training at all weather circumstances.



All KOMPAN fitness products are compliant with the ASTM F3101 & EN16630 Outdoor Fitness Standards. Load tests are performed as a static test by adding dynamic factors as well as safety factors to the specified load of 78kg per user. A product intended for 1 user is loaded with 420kg.



# Sustainability Data

FRO104



| Cradle to Gate A1-A3 | Total CO <sub>2</sub> emission | CO <sub>2</sub> e/kg    | Recycled materials |
|----------------------|--------------------------------|-------------------------|--------------------|
|                      | kg CO <sub>2</sub> e           | kg CO <sub>2</sub> e/kg | %                  |
| <b>FRO10400-1001</b> | 316.23                         | 0.52                    | 7.00               |

The overall framework applied for these factors is the Environmental Product Declaration (EPD), which quantifies "environmental information on the life cycle of a product and enable comparisons between products fulfilling the same function" (ISO, 2006). This follows the structure and applies a Life-Cycle Assessment approach to the entire Product stage from raw material through manufacturing (A1-A3))

**Kompan A/S**  
 C.F. Tietgens Boulevard 32C  
 DK-5220 Odense SØ  
 Denmark



## Verification of CO<sub>2</sub> calculation of: Fitness



Data version no. 2023-10-05

The CO<sub>2</sub> calculation and data are in compliance with the principles of a carbon footprint impact according to the GHG protocol (Greenhouse Gas Protocol), Scope 3, cradle to gate related to all individual components in the product category: "Fitness" represented by item no.: FAZ10100-0900.

(Scope 3 emissions include emission sources in the upstream and downstream value chain).

**Date: 30. October 2023 | Valid until: 30. October 2025**

Verified by:

Julie Marie Vejsgaard Larsen, LCA & EPD Consultant

Verification based on report: Validation of CO<sub>2</sub> calculation of 9 categories of Kompan product line, version 1.0, prepared by: Bureau Veritas HSE, Denmark: Julie M. V. Larsen.

**Publication date: 30. October 2023**

By Bureau Veritas HSE  
 www.bureauveritas.dk  
 +45 7731 1000

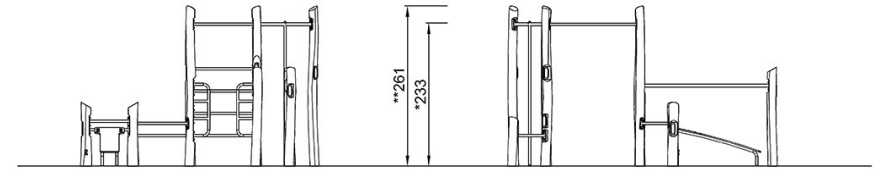
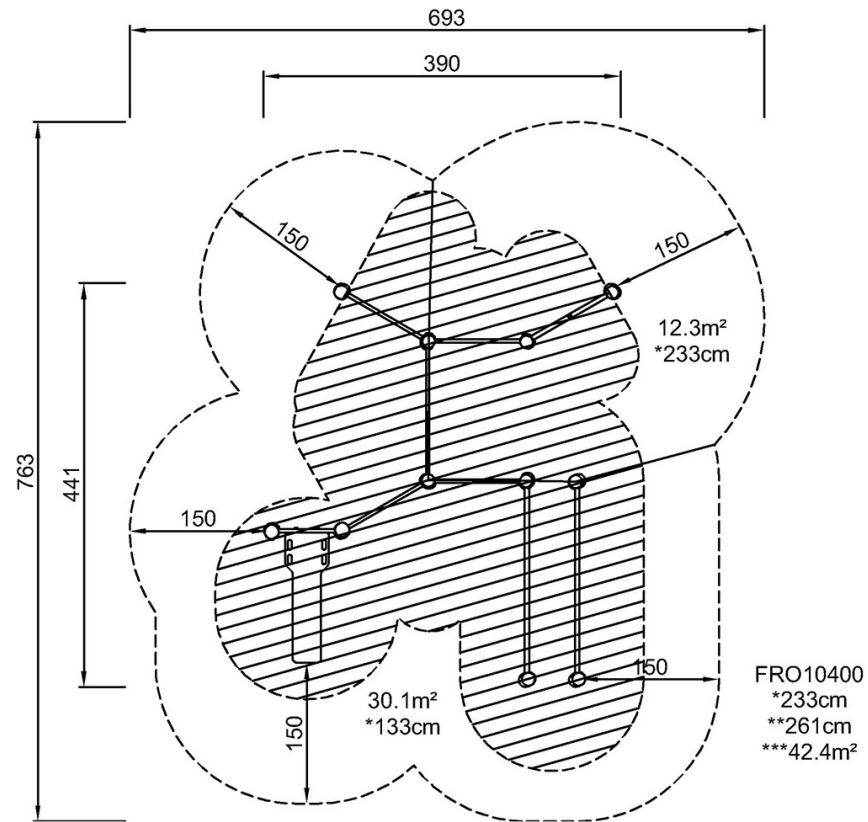


# Combi 4 Robinia

FRO104

\* Max fall height | \*\* Total height | \*\*\* Safety surfacing area

\* Max fall height | \*\* Total height



FRO10400

[Click to see TOP VIEW](#)

[Click to see SIDE VIEW](#)