

Inclusive Chest Press

FSW243



| | |
|------------------------------------|--------------|
| Item no. FSW24300-0902 | |
| General Product Information | |
| Dimensions LxWxH | 52x81x191 cm |
| Age group | 13+ |
| Play capacity (users) | 1 |
| Colour options | |

The Inclusive Chest Press caters to wheelchair users with its no-adjustment, quick-use design. The vertical post provides solid back support and the extended grip handles accommodate varying user heights. Its progressive resistance, light at the start and heavier at full extension, allows for intensity customization through complete arm extensions and

repetition increases. This chest press stands out for its welcoming design, explicitly inviting those in wheelchairs to engage in the exercise.



Inclusive Chest Press

FSW243



The Steel posts are made of Ø101,6x2,0mm pre-galvanized steel tube. The posts are powder coated, corrosion class C3 according to ISO12944-2.



The chest press is wheelchair accessible and all individuals with a minimum height of 140cm will be able to use the product without compromising their normal posture.



The resistance is controlled by heavy duty scaled ROSTA torsion spring element. The ROSTA element works without any noise and are maintenance free. The ROSTA element allows the user to both push and pull depending on the desired exercise.

Item no. FSW24300-0902

Installation Information

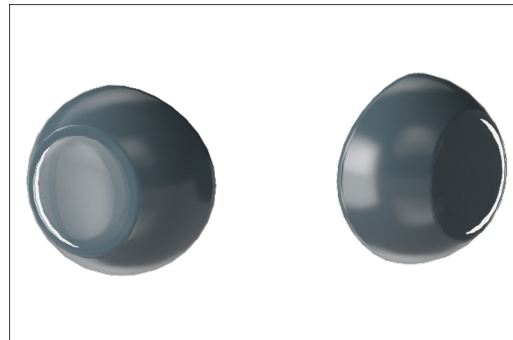
| | |
|--------------------------|--------------------------|
| Max. fall height | 0 cm |
| Safety surfacing area | 11.8 m ² |
| Total installation time | 2.2 |
| Excavation volume | 0.06 m ³ |
| Concrete volume | 0.04 m ³ |
| Footing depth (standard) | 90 cm |
| Shipment weight | 61 kg |
| Anchoring options | In-ground ✓ Surface ✓ |

Warranty Information

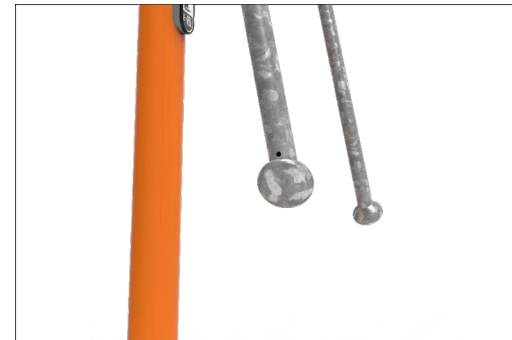
| | |
|--------------------------|----------|
| Hot dip galvanised steel | Lifetime |
| ROSTA element | 2 years |
| Spare parts guaranteed | 10 years |
| Steel frame | 10 years |



The product must feature an information sign with related exercises, and each exercise must feature a QR code linking to its related exercise portal in an app that offers support on the specific exercise. The sign must additionally offer a QR code for downloading the app.



The post top and do-nuts are made from polyamide PA6 nylon.



The handle knobs are made of S235 hot-dip galvanized steel according to KS0106 and a grip diameter of 77,3mm. The grips provide safety and an ergonomic experience when using the machine.

EN
16630
compliant

Sustainability Data

FSW243



| Cradle to Gate A1-A3 | Total CO ₂ emission | CO ₂ e/kg | Recycled materials |
|----------------------|--------------------------------|-------------------------|--------------------|
| | kg CO ₂ e | kg CO ₂ e/kg | % |
| FSW24300-0902 | 111.51 | 2.67 | 49.58 |

The overall framework applied for these factors is the Environmental Product Declaration (EPD), which quantifies "environmental information on the life cycle of a product and enable comparisons between products fulfilling the same function" (ISO, 2006). This follows the structure and applies a Life-Cycle Assessment approach to the entire Product stage from raw material through manufacturing (A1-A3))

Kompan A/S
 C.F. Tietgens Boulevard 32C
 DK-5220 Odense SØ
 Denmark



Verification of CO₂ calculation of: Fitness



Data version no. 2023-10-05

The CO₂ calculation and data are in compliance with the principles of a carbon footprint impact according to the GHG protocol (Greenhouse Gas Protocol), Scope 3, cradle to gate related to all individual components in the product category: "Fitness" represented by item no.: FAZ10100-0900.

(Scope 3 emissions include emission sources in the upstream and downstream value chain).

Date: 30. October 2023 | Valid until: 30. October 2025

Verified by:

Julie Marie Vejsgaard Larsen, LCA & EPD Consultant

Verification based on report: Validation of CO₂ calculation of 9 categories of Kompan product line, version 1.0, prepared by: Bureau Veritas HSE, Denmark: Julie M. V. Larsen.

Publication date: 30. October 2023

By Bureau Veritas HSE
 www.bureauveritas.dk
 +45 7731 1000

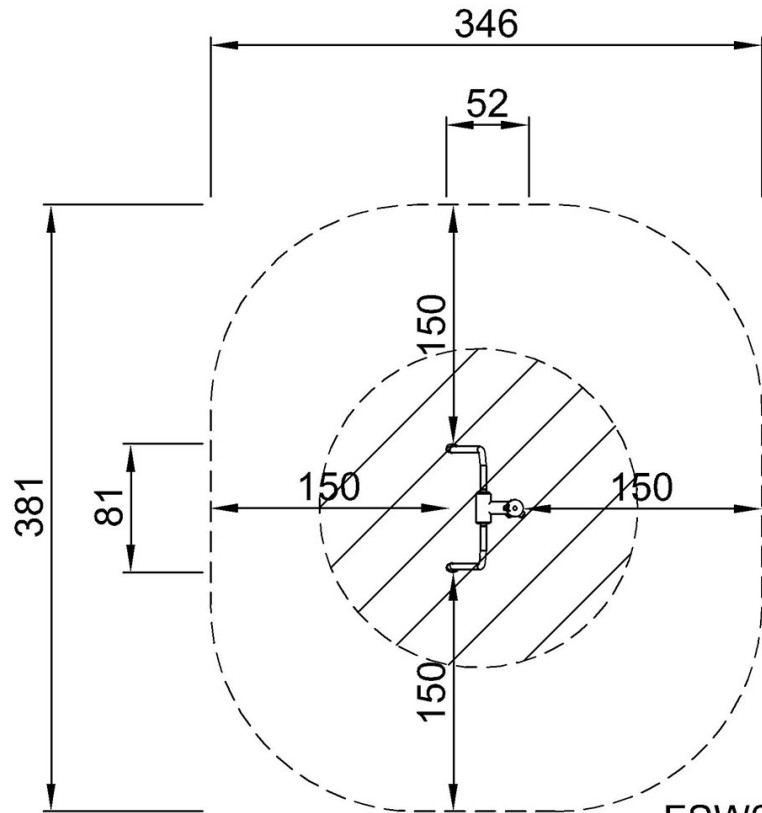


Inclusive Chest Press

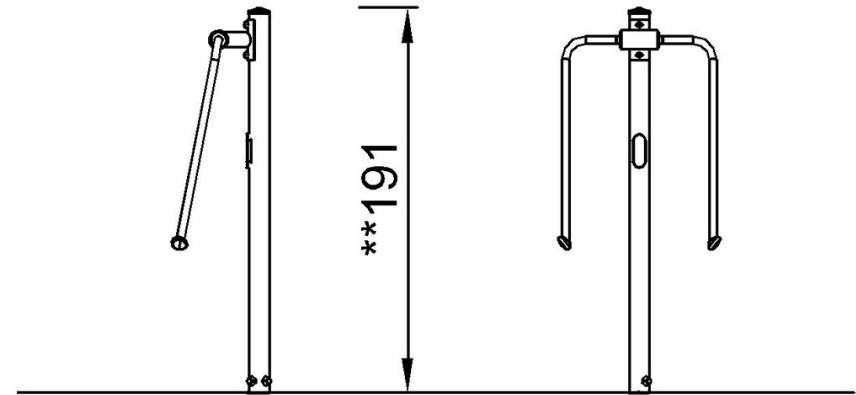
FSW243

* Max fall height | ** Total height | *** Safety surfacing area

* Max fall height | ** Total height



FSW24300
**191cm
***11.8m²



FSW24300

[Click to see TOP VIEW](#)

[Click to see SIDE VIEW](#)