

Scout

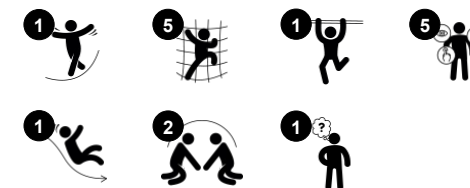
NAT524



Item no. NAT524-0912

General Product Information

Dimensions LxWxH	357x384x267 cm
Age group	4+
Play capacity (users)	8
Color options	



The Scout is a fun, dense play event for school age children. With its world explorer look, it attracts children back for more play over and over. The challenging climbs up to the slide train children's balance, cross-coordination and proprioception. The Jacob's Ladder has a special feature in the twist of the 3rd step: this makes a change of foot position necessary to

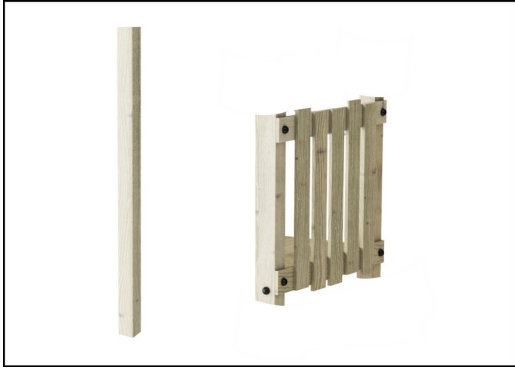
go further. The mastery of this proprioceptive action is only possible for children of a certain age. So there are ways up and around the Scout for bigger and lesser dare devils. The motor skills trained are important for children's physical confidence and security in moving, for instance in the street. The sense of balance and space are trained whizzing down the slide.

The sense of balance is fundamental for all other physical skills.



Scout

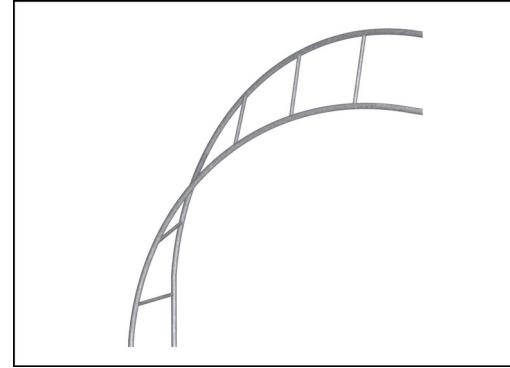
NAT524



Posts and boards are made of pine wood from sustainable European sources. The wood is pressure impregnated Class 3 with Tanalith E3475 according to EN335 (Equivalent to NTR Class AB). On request it can be supplied as FSC® Certified (FSC® C004450).



Panels of 19mm EcoCore™. EcoCore™ is a highly durable, eco friendly material, which is not only recyclable after use, but also consists of material produced from +95% recycled post consumer material from food packing waste.



The steel surfaces are hot dip galvanized inside and outside with lead free zinc. The galvanization has excellent corrosion resistance in outside environments and requires low maintenance.

Item no. NAT524-0912	
Installation Information	
Max. fall height	223 cm
Safety surfacing area	33.4 m ²
Total installation time	10.5
Excavation volume	0.66 m ³
Concrete volume	0.15 m ³
Footing depth (standard)	90 cm
Shipment weight	392 kg
Anchoring options	In-ground ✓ Surface ✓



The post end caps are made of injection molded high quality nylon (PA6). PA6 has good wearing and impact strength and is UV stabilized. The end caps protects vertical placed posts to ensure long lifetime.



The slide is made of high quality stainless steel AISI 304. The steel is cleaned by a total pickling process after manufacturing to ensure a smooth and clean gliding surfaces.



Sustainability Data

NAT524



Cradle to Gate A1-A3	Total CO ₂ emission	CO ₂ e/kg	Recycled materials
	kg CO ₂ e	kg CO ₂ e/kg	%
NAT524-0912	614.30	2.17	41.80

The overall framework applied for these factors is the Environmental Product Declaration (EPD), which quantifies "environmental information on the life cycle of a product and enable comparisons between products fulfilling the same function" (ISO, 2006). This follows the structure and applies a Life-Cycle Assessment approach to the entire Product stage from raw material through manufacturing (A1-A3))

Kompan A/S
 C.F. Tietgens Boulevard 32C
 DK-5220 Odense SØ
 Denmark



Verification of CO₂ calculation of: Nature play



Data version no. 2023-10-05

The CO₂ calculation and data are in compliance with the principles of a carbon footprint impact according to the GHG protocol (Greenhouse Gas Protocol), Scope 3, cradle to gate related to all individual components in the product category: "Nature play" represented by item no.: NRO409-0621.

(Scope 3 emissions include emission sources in the upstream and downstream value chain).

Date: 30. October 2023 | Valid until: 30. October 2025

Verified by:

Julie Marie Vejsgaard Larsen, LCA & EPD Consultant

Verification based on report: Validation of CO₂ calculation of 9 categories of Kompan product line, version 1.0, prepared by: Bureau Veritas HSE, Denmark: Julie M. V. Larsen.

Publication date: 30. October 2023

By Bureau Veritas HSE
 www.bureauveritas.dk
 +45 7731 1000

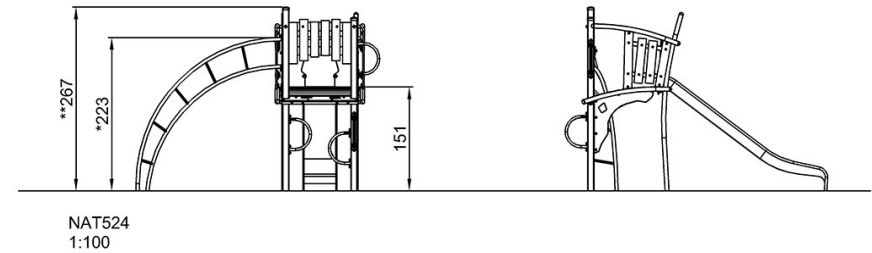
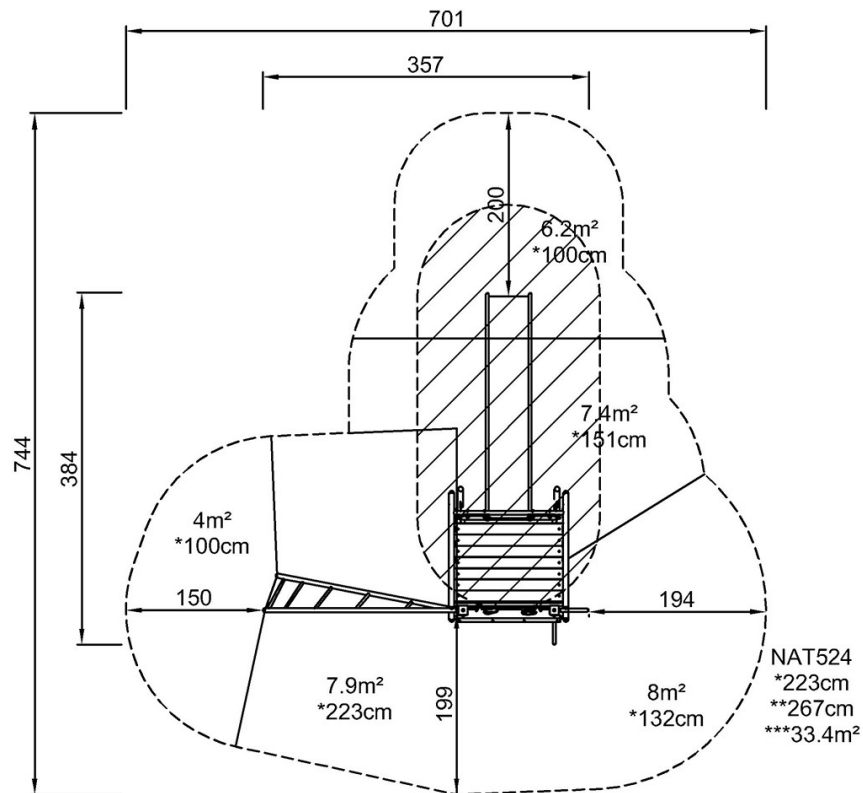


Scout

NAT524

* Max fall height | ** Total height | *** Safety surfacing area

* Max fall height | ** Total height



[Click to see TOP VIEW](#)

[Click to see SIDE VIEW](#)