

Double Cableway, sloping ground, slide length 25m

NRO880

KOMPANI
Let's play



产品编号 NRO880-1001

产品信息概览

长宽高尺寸	3321x512x298 cm
适用年龄段	4+
容纳人数	2
颜色选择	 



Children absolutely love playing on the Double Cableway! Anyone can play on the cableway due to its length and supportive seat and handhold. The thrill of gliding through the air makes children want to play on the cableway again and again. The feeling of weightlessness and the swooshing through the air, helps develop spatial awareness skills as well as the

child's understanding of gravity, space and speed. Social skills are trained as children diligently hand back the seat to the next user in line. The running and pulling involved in this trains the child's cardio as well as upper body muscles. All in all, the large cableway is an asset of play that unites generations and abilities as there is some way for almost

everyone to use it.



Double Cableway, sloping ground, slide length 25m

NRO880



PUR covered rope

身体素质：firm grip when spinning and hanging from arms. Arm muscles developed when holding tight.



Long line

身体素质：the lengthy glide through the air adds to the thrill and trains spatial awareness, trunk stability and upper-body muscles. All this helps support the child's physical self esteem, making e.g. positive risk taking easier.



Dino seat

身体素质：座椅的三个分区和链条为站立和坐姿摇摆提供了坚固的支撑。**社交情感**：孩子们可以一起摇摆，双腿悬空，训练合作能力、排队和轮流意识。



Double zipline

社交情感：可以与同伴一起滑行或进行友好比赛，这有助于培养轮流意识和合作技能。**认知能力**：两条 Zipline 的速度可能不同。找出背后的原因（重量、速度、力等）可以训练逻辑思维。

Double Cableway, sloping ground, slide length 25m

NRO880



KOMPAN 的所有有机刺槐产品均由 刺槐木材制成，来自欧洲的可持续环保木材。可根据要求提供 FSC® Certified (FSC® C004450)



钢表面内外均采用无铅热镀锌镀层，户外耐蚀性高，维护成本低。



特殊设计的座椅由覆盖有柔软 PUR 橡胶层的不锈钢插件制成。座椅经过抗冲击测试，符合所有全球游乐场标准，并且绳索具有符合人体工程学的手柄，100 厘米长，模制在 PUR 橡胶手柄上。

产品编号 NRO880-1001

安装信息

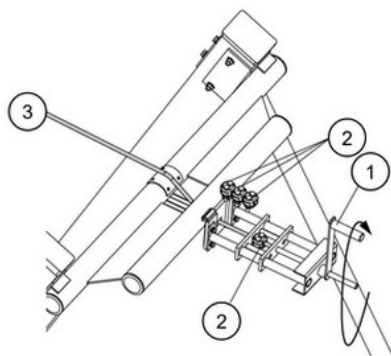
最大跌落高度	100 cm
安全面积	182.1 m ²
安装总时长	14.1
开挖量	9.37 m ³
混凝土使用量	3.84 m ³
标准入地深度	100 cm
运输重量	897 kg
固定选项	入地 ✓

质保信息

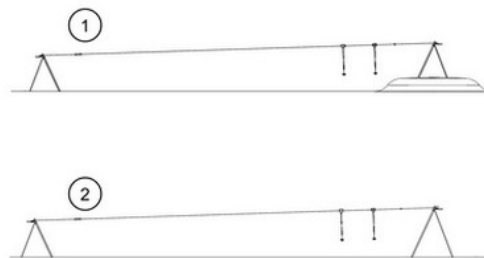
缆线	10 年
活动部件	2 年
PUR 部件	10 年
Robinia 木材	15 年
承保零部件	10 年



高品质的直径为 12mm 的钢缆设计适用于频繁使用的滑索。起点由旋钮指示。在停止点处有专门设计的弹簧装置，可确保拉拔器的停止更为柔和。



钢缆 3 通过特殊设计的装置张紧。通过旋转手柄 1，可以按照说明以安全的方式拉紧钢缆。张紧后，电缆将被三个夹子 2 锁定。张紧装置还可在年度检查期间用于调节。

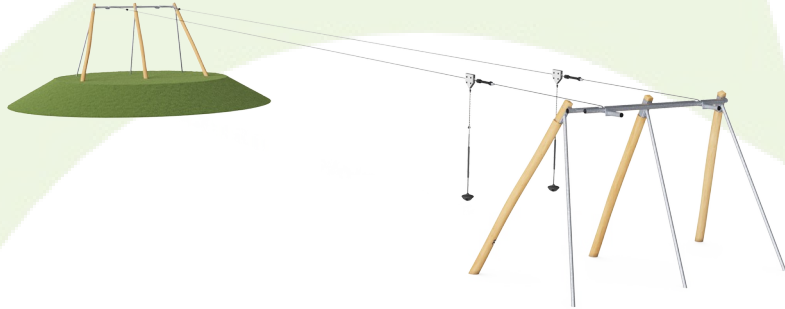


KOMPAN 滑索可用于平坦或自然倾斜的环境，可地表或入地安装。此外，滑索可以提供一根或两根电缆，供儿童进行友好的滑行比赛。



Sustainability Data

NRO880



从原材料到成品

CO₂ 排放总量

kg CO₂e

CO₂ 排放量 / 千克

kg CO₂e/kg

回收的原料

%

NRO880-1001

1,092.60

1.39

25.28

这些因素采用的总体框架为环保产品声明 (EPD), 该声明可量化“产品生命周期的环保信息, 并对相同功能的产品进行对比” (ISO, 2006)。在遵循该框架的同时, 对从原材料到制造的整个产品阶段 (A1-A3) 应用生命周期评估法。

Kompan A/S

C.F. Tietgens Boulevard 32C
DK-5220 Odense SØ
Denmark



Verification of CO₂ calculation of: Nature play



Data version no. 2023-10-05

The CO₂ calculation and data are in compliance with the principles of a carbon footprint impact according to the GHG protocol (Greenhouse Gas Protocol), Scope 3, cradle to gate related to all individual components in the product category: "Nature play" represented by item no.: NRO409-0621.

(Scope 3 emissions include emission sources in the upstream and downstream value chain).

Date: 30. October 2023 | Valid until: 30. October 2025

Verified by:

Julie Marie Vejsgaard Larsen, LCA & EPD Consultant

Verification based on report: Validation of CO₂ calculation of 9 categories of Kompan product line, version 1.0, prepared by: Bureau Veritas HSE, Denmark: Julie M. V. Larsen.

Publication date: 30. October 2023

By Bureau Veritas HSE
www.bureauveritas.dk
+45 7731 1000

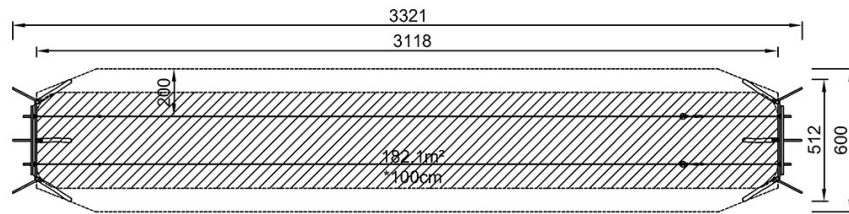


Double Cableway, sloping ground, slide length 25m

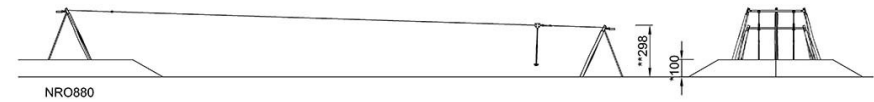
NRO880

最大跌落高度 | 总高度 | 安全区域

最大跌落高度 | 总高度



NRO880
*100cm
**298cm
***182.1m²



[点击查看俯视图](#)

[点击查看侧面图](#)