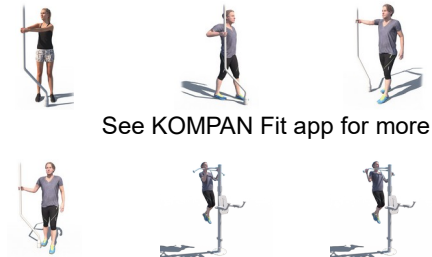


Core Twist Compact

FAZ109



| Item no. FAZ10900-0900 | |
|-----------------------------|----------------|
| General Product Information | |
| Dimensions LxWxH | 280x218x291 cm |
| Age group | 13+ |
| Play capacity (users) | 3 |
| Colour options | |



See KOMPAN Fit app for more



The Core Twist Compact combines 3 powerful ab and upper body exercises stations. For inspiration and guidance they can look at signs which display the 11 basic exercises and link to the KOMPAN Sport & Fitness App. The Core Twist offers innovative and resistance adjustable core training. The pole rotates 360° clockwise and counter clockwise with a

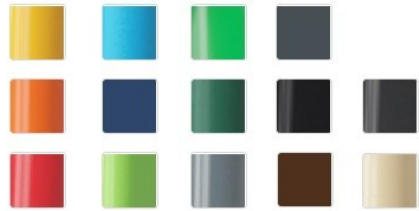
resistance that can be determined by speed of movement. The Leg Lift Station is an excellent piece of equipment for ab workouts. it allows users to exercise their abdominal muscles by performing leg lifts while holding themselves up in the chair. Exercising in this manner targets all of the abdominal muscles. Pull ups are an essential part of a strength training. The Pull

Up bar offers a range of exercises, featuring multiple grips for different hand positions. By placing the feet on the horizontal bars beginners can decrease their bodyweight during pull ups and work their way up to advanced training. To make sure that everyone can reach the pull up bar there is a stepping pod.



Core Twist Compact

FAZ109



KOMPAN fitness products are standard available in Orange, Anthracite Grey, Medium Grey, Dark Grey, Night Sky Blue, Light Blue, Yellow, Red, Black, Moss Green, Lime Green, Medium Green, Sand and Nut Brown. All other RAL colours are available on request. It will always be possible to match the surroundings or colour theme!

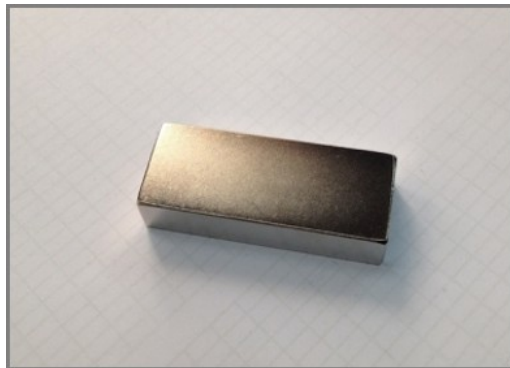


Post are made of Ø101.6 x 2mm, pre-galvanized carbon steel and powder coated, a great protection to all conditions.



The Sign is made from a 15mm Polycarbonate and supported by Ø38.2mm top bar. This is an extremely solid assembly which provides great structural stability. The sign shows the 11 main exercises and has a QR code which refers users to the Kompan Fit APP that offers extended support on exercises and training.

| Item no. FAZ10900-0900 | |
|--------------------------|--------------------------|
| Installation Information | |
| Max. fall height | 132 cm |
| Safety surfacing area | 18.4 m ² |
| Total installation time | 6.3 |
| Excavation volume | 0.37 m ³ |
| Concrete volume | 0.18 m ³ |
| Footing depth (standard) | 90 cm |
| Shipment weight | 371 kg |
| Anchoring options | In-ground ✓ Surface ✓ |
| Warranty Information | |
| Coated steel parts | 10 years |
| EcoCore HDPE | Lifetime |
| Hot dip galvanised steel | Lifetime |
| Movable parts | 2 years |
| Spare parts guaranteed | 10 years |



The magnets which are used are High Strength Neodymium magnets. The magnetic radiation is under strict control, the radiation level never exceeds 5 Gauss (0.5mT), which makes them perfectly safe to use as an training item.



The pull up bar is made from Ø32 mm HDG steel bar. The bar is 1080mm wide and 2300mm above ground

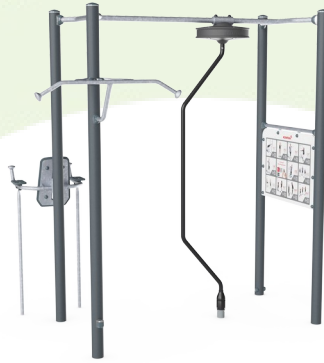


The frame of the leg lift is made from Ø38 x 2mm HDG steel tube. The support plates are made from 15mm Ekogrip®, a 15 mm PE plate with a 3 mm top-layer of thermoplastic rubber with non-skid effect. The arm supports are 110 x 195mm, 580mm apart, and 1315mm above ground. The back support is 335 x 500mm. The opening in the back is 30 x 350mm.



Sustainability Data

FAZ109



| Cradle to Gate A1-A3 | Total CO ₂ emission | CO ₂ e/kg | Recycled materials |
|----------------------|--------------------------------|-------------------------|--------------------|
| | kg CO ₂ e | kg CO ₂ e/kg | % |
| FAZ10900-0900 | 684.97 | 3.54 | 43.05 |

The overall framework applied for these factors is the Environmental Product Declaration (EPD), which quantifies "environmental information on the life cycle of a product and enable comparisons between products fulfilling the same function" (ISO, 2006). This follows the structure and applies a Life-Cycle Assessment approach to the entire Product stage from raw material through manufacturing (A1-A3))

Kompan A/S
 C.F. Tietgens Boulevard 32C
 DK-5220 Odense SØ
 Denmark



Verification of CO₂ calculation of: Fitness



Data version no. 2023-10-05

The CO₂ calculation and data are in compliance with the principles of a carbon footprint impact according to the GHG protocol (Greenhouse Gas Protocol), Scope 3, cradle to gate related to all individual components in the product category: "Fitness" represented by item no.: FAZ10100-0900.

(Scope 3 emissions include emission sources in the upstream and downstream value chain).

Date: 30. October 2023 | Valid until: 30. October 2025

Verified by:

Julie Marie Vejsgaard Larsen, LCA & EPD Consultant

Verification based on report: Validation of CO₂ calculation of 9 categories of Kompan product line, version 1.0, prepared by: Bureau Veritas HSE, Denmark: Julie M. V. Larsen.

Publication date: 30. October 2023

By Bureau Veritas HSE
 www.bureauveritas.dk
 +45 7731 1000

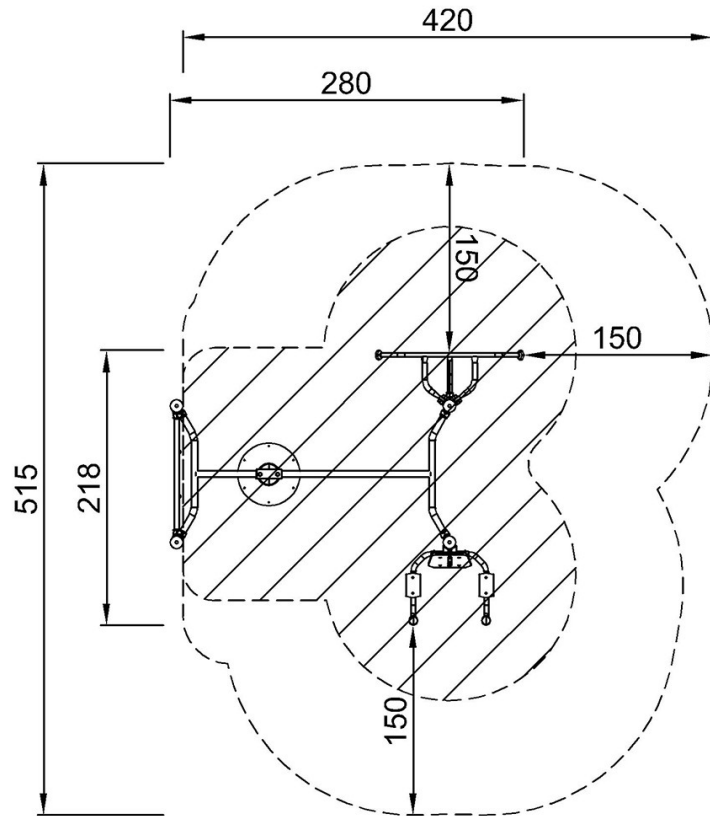


Core Twist Compact

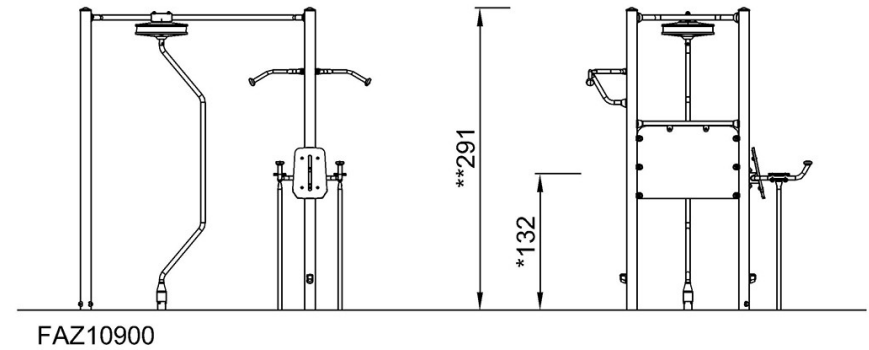
FAZ109

* Max fall height | ** Total height | *** Safety surfacing area

* Max fall height | ** Total height



FAZ10900
*132cm
**291cm
***18.4m²



[Click to see TOP VIEW](#)

[Click to see SIDE VIEW](#)