

Zebra Seesaw

M195



Item no. M19501-01P

General Product Information

Dimensions LxWxH	42x118x60 cm
Age group	1+
Play capacity (users)	2
Color options	



The Zebra Seesaw is a wow play event for young toddlers. Rocking on the Zebra Seesaw is a thrilling physical and social activity for young children. There is even room in the middle, so that three, four or more children can play. Rocking is not only fun. It stimulates physical, social-emotional and cognitive skills. The see-saw responds to children's

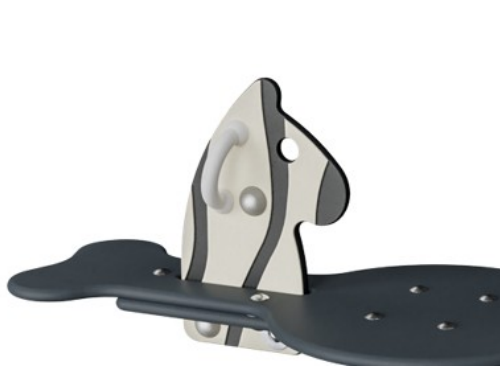
movements, which helps to develop spatial awareness and a sense of balance. These are fundamental motor skills that help the child move confidently and for instance sit still on a chair. The responsive movements also help children to be aware of cause and effect. This builds the fundament for logical thinking. The cooperation and turn-taking in seesawing build

social skills and a beginning understanding of theory of mind: that others may want different things from you.



Zebra Seesaw

M195



Panels of 19mm EcoCore™. EcoCore™ is a highly durable, eco friendly material, which is not only recyclable after use, but also consists of material produced from +95% recycled post consumer material from food packing waste.



Seat is made of HPL with a thickness of 17.8mm with a very high wearing strength and a unique KOMPAN nonskid surface texture.



The rocking movement over axis is made by heavy duty scaled ROSTA torsion spring element. The ROSTA element works without any noise and requires low maintenance.



Handholds are made of injection moulded high quality nylon (PA6). PA6 has good wearing and impact strength.



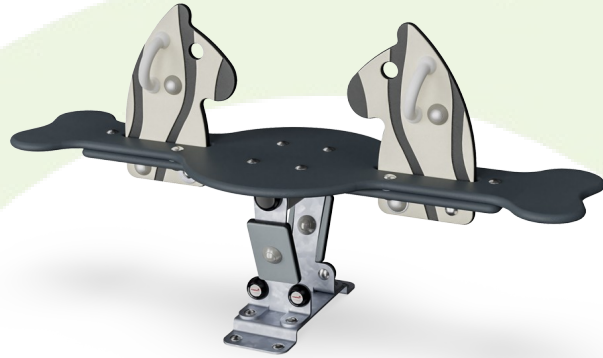
The steel surfaces are hot dip galvanised inside and outside with lead free zinc. The galvanisation has excellent corrosion resistance in outside environments and requires low maintenance.

Item no. M19501-01P	
Installation Information	
Max. fall height	60 cm
Safety surfacing area	9.2 m ²
Total installation time	2.7
Excavation volume	0.12 m ³
Concrete volume	0.00 m ³
Footing depth (standard)	44 cm
Shipment weight	31 kg
Anchoring options	In-ground ✓ Surface ✓



Sustainability Data

M195



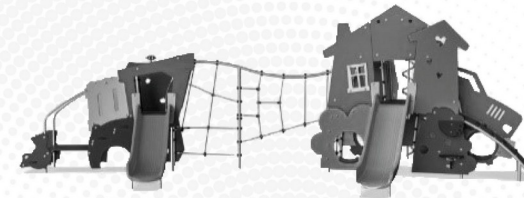
Cradle to Gate A1-A3	Total CO ₂ emission	CO ₂ e/kg	Recycled materials
	kg CO ₂ e	kg CO ₂ e/kg	%
M19501-01P	71.30	2.73	27.70

The overall framework applied for these factors is the Environmental Product Declaration (EPD), which quantifies "environmental information on the life cycle of a product and enable comparisons between products fulfilling the same function" (ISO, 2006). This follows the structure and applies a Life-Cycle Assessment approach to the entire Product stage from raw material through manufacturing (A1-A3))

Kompan A/S
C.F. Tietgens Boulevard 32C
DK-5220 Odense SØ
Denmark



Verification of CO₂ calculation of: Themed play systems



Data version no. 2023-10-05

The CO₂ calculation and data are in compliance with the principles of a carbon footprint impact according to the GHG protocol (Greenhouse Gas Protocol), Scope 3, cradle to gate related to all individual components in the product category: "Themed play systems" represented by item no.: MSC641100-3717P.

(Scope 3 emissions include emission sources in the upstream and downstream value chain).

Date: 30. October 2023 | Valid until: 30. October 2025

Verified by:

Julie Marie Vejsgaard Larsen, LCA & EPD Consultant

Verification based on report: Validation of CO₂ calculation of 9 categories of Kompan product line, version 1.0, prepared by: Bureau Veritas HSE, Denmark: Julie M. V. Larsen.

Publication date: 30. October 2023

By Bureau Veritas HSE
www.bureauveritas.dk
+45 7731 1000

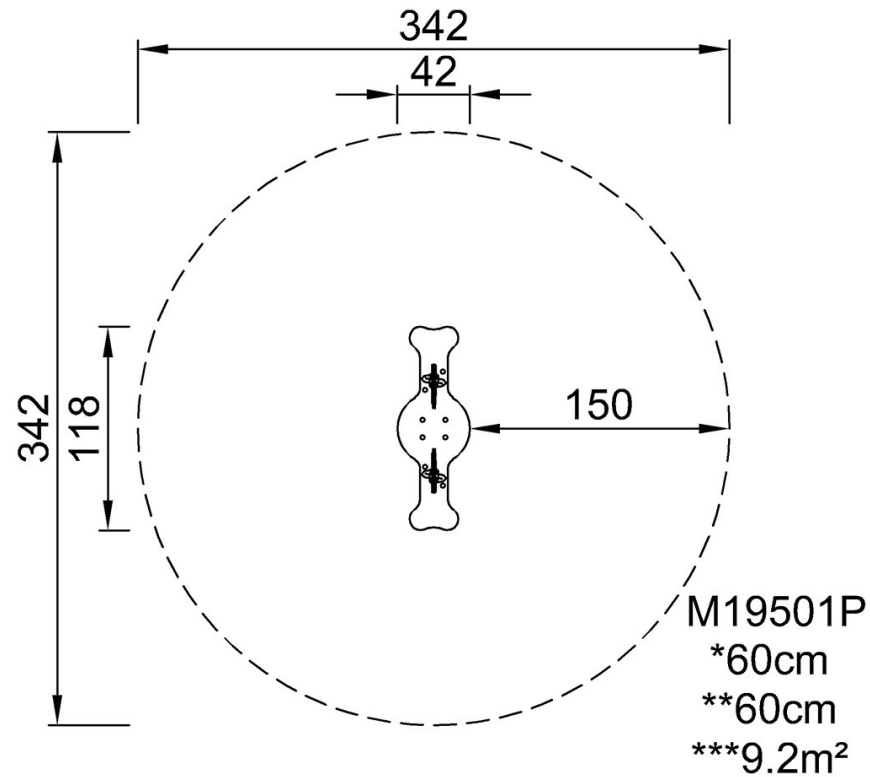


Zebra Seesaw

M195

* Max fall height | ** Total height | *** Safety surfacing area

* Max fall height | ** Total height



[Click to see TOP VIEW](#)

[Click to see SIDE VIEW](#)