

# Play Panel High - Communication

NRO618



For children and adults with difficulties communicating or expressing their needs verbally, a communication board is a helpful playground asset.

This communication board depicts in an easily understandable way main needs and responses, such as happy, sad, hungry, thirsty, tired. The panel also aids with queues for

communication, such as yes/no, pronouns, questions or numbers and letters. Finally, the board has symbols for important locations such as home and school, as well as practical locations such as the restrooms.

Item no. NRO618-1001

## General Product Information

Dimensions LxWxH	131x18x114 cm
Age group	2 - 12
Play capacity (users)	4
Colour options	



# Play Panel High - Communication

NRO618



All Organic Robinia products by KOMPAN are made of Robinia wood from sustainable European sources. On request it can be supplied as FSC® Certified (FSC® C004450).



High-quality polyethylene with a thickness of 12mm. The graphic prints are added by a unique multi-layer print process where the inner layer is the image and outer transparent layer functions as protection. Both polyethylene panel and the water-based lacquer are UV stabilized to prevent fading.



Robinia products are available in three different wood treatment options: untreated Robinia wood or brown painted with a pigment that maintains the wood colour and coloured version with paint of selected components.



There are Multiple footing options for all products: Surface anchoring with steel footings and expansion bolts. Wood in-ground or steel in-ground footings.

Item no. NRO618-1001	
<b>Installation Information</b>	
Max. fall height	0 cm
Safety surfacing area	0.0 m <sup>2</sup>
Total installation time	2.3
Excavation volume	0.25 m <sup>3</sup>
Concrete volume	0.00 m <sup>3</sup>
Footing depth (standard)	100 cm
Shipment weight	90 kg
Anchoring options	In-ground ✓
<b>Warranty Information</b>	
Robinia wood	15 years
Spare parts guaranteed	10 years

Elevated activities	Accessible elevated activities	Accessible ground level activities	Accessible ground level play types
Present			
Required			

**CSA**  
**Z614**  
compliant

# Sustainability Data

NRO618



<b>Cradle to Gate A1-A3</b>	<b>Total CO<sub>2</sub> emission</b>	<b>CO<sub>2</sub>e/kg</b>	<b>Recycled materials</b>
	kg CO <sub>2</sub> e	kg CO <sub>2</sub> e/kg	%
<b>NRO618-1001</b>	62.67	0.97	0.18

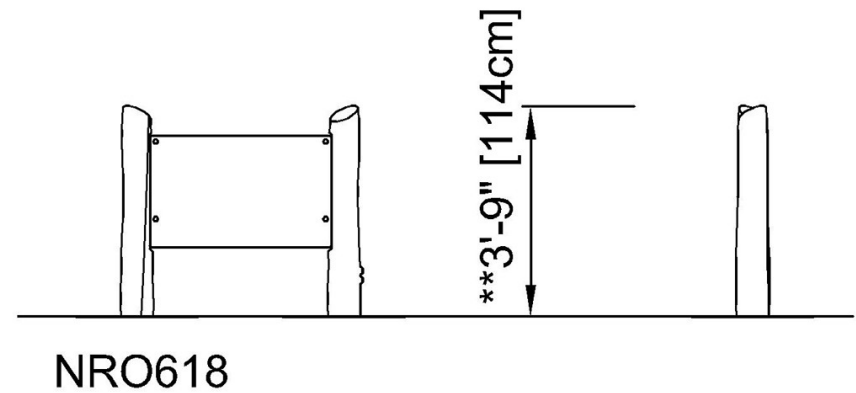
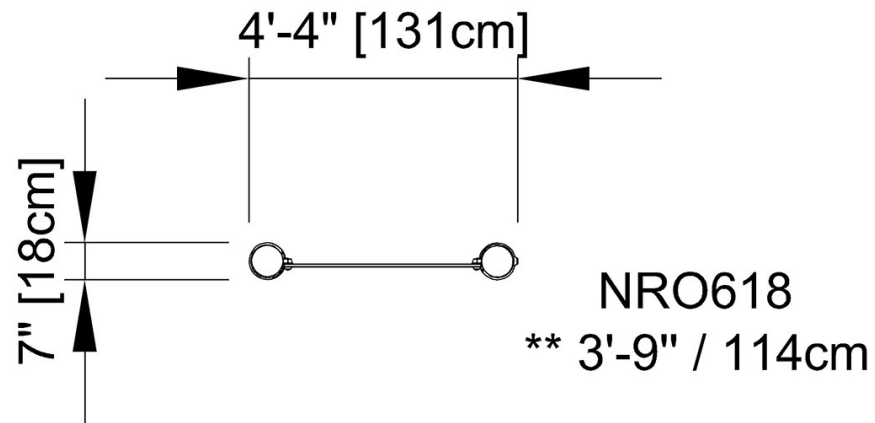
The overall framework applied for these factors is the Environmental Product Declaration (EPD), which quantifies "environmental information on the life cycle of a product and enable comparisons between products fulfilling the same function" (ISO, 2006). This follows the structure and applies a Life-Cycle Assessment approach to the entire Product stage from raw material through manufacturing (A1-A3))

# Play Panel High - Communication

NRO618

\* Max fall height | \*\* Total height | \*\*\* Safety surfacing area

\* Max fall height | \*\* Total height



[Click to see TOP VIEW](#)

[Click to see SIDE VIEW](#)