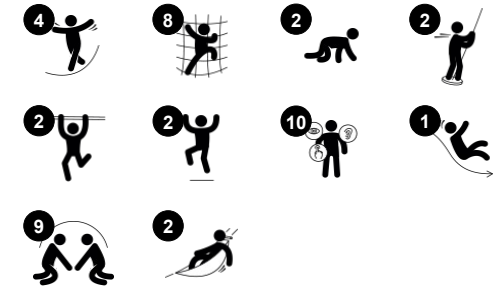


Giant L Base

PCT110121



Item no. PCT110121-0901	
General Product Information	
Dimensions LxWxH	676x963x651 cm
Age group	6+
Play capacity (users)	26
Color options	● ●



WOW! The Giant L Base's sky-high climb-slide-meet features attract children hugely, from a distance and up close. The Giant has a unique variety of speedy sliding, thrilling gliding, gentle swaying and not least challenging climbing activities. This ensures vigorous play, over and over. The tall, steep slide is a main attraction. Thrill and speed are guaranteed: the height is

evident thanks to the see-through tower walls. The element of challenge appeals to children. It is severe fun. It stimulates important social-emotional skills such as self-regulation, negotiation and empathy. The open gliders are thrill alternatives. They train the child's sense of space, used in e.g. judging distances in traffic. Climbing does that, too. Ropes, high steps,

walls additionally train strength and cardio. On ground level, hammocks invite swaying interaction.



Giant L Base

PCT110121



Panels of 19mm EcoCore™. EcoCore™ is a highly durable, eco friendly material, which is not only recyclable after use, but also consists of material produced from +95% recycled post consumer material from food packing waste.



All decks are supported by unique designed low-carbon aluminum profiles with multiple attachment options. The grey colored molded decks are made of 75% post-consumer waste PP material with a non-skid pattern and texture surface.



The main posts have an alloy with improved tensile and yield strength to ensure superior structural integrity of the high towers. The posts has hot dip galvanized base and powder coated top finish which ensure long lifetime.

Item no. PCT110121-0901

Installation Information

Max. fall height	239 cm
Safety surfacing area	59.2 m ²
Total installation time	95.0
Excavation volume	8.77 m ³
Concrete volume	3.76 m ³
Footing depth (standard)	90 cm
Shipment weight	1,905 kg
Anchoring options	In-ground ✓ Surface ✓



High-quality polycarbonate with a thickness of 15mm. The graphic prints are added by a unique multi-layer print process where the inner layer is the image and outer transparent layer functions as protection. Both PC panel and the water-based lacquer are UV stabilized to prevent fading.



Fully welded steel frame with 45° cross welded steel grid of round steel pins with a diameter of 4mm. The airflow panel contributes to the overall structural integrity of the GIANT towers.



Curved and straight tunnel slide of either PE or stainless-steel material and supported by multiple steel rods to a center steel post. The tunnel slides are designed with perfect curve and inclination for a playful ride.



Sustainability Data

PCT110121



Cradle to Gate A1-A3	Total CO ₂ emission	CO ₂ e/kg	Recycled materials
	kg CO ₂ e	kg CO ₂ e/kg	%
PCT110121-0901	3,568.40	2.43	53.70

The overall framework applied for these factors is the Environmental Product Declaration (EPD), which quantifies "environmental information on the life cycle of a product and enable comparisons between products fulfilling the same function" (ISO, 2006). This follows the structure and applies a Life-Cycle Assessment approach to the entire Product stage from raw material through manufacturing (A1-A3))

Kompan A/S
 C.F. Tietgens Boulevard 32C
 DK-5220 Odense SØ
 Denmark



Verification of CO₂ calculation of: Play systems



Data version no. 2023-10-05

The CO₂ calculation and data are in compliance with the principles of a carbon footprint impact according to the GHG protocol (Greenhouse Gas Protocol), Scope 3, cradle to gate related to all individual components in the product category: "Play systems" represented by item no.: PCM200321-0950.

(Scope 3 emissions include emission sources in the upstream and downstream value chain).

Date: 30. October 2023 | Valid until: 30. October 2025

Verified by:

Julie Marie Vejsgaard Larsen, LCA & EPD Consultant

Verification based on report: Validation of CO₂ calculation of 9 categories of Kompan product line, version 1.0, prepared by: Bureau Veritas HSE, Denmark: Julie M. V. Larsen.

Publication date: 30. October 2023

By Bureau Veritas HSE
 www.bureauveritas.dk
 +45 7731 1000

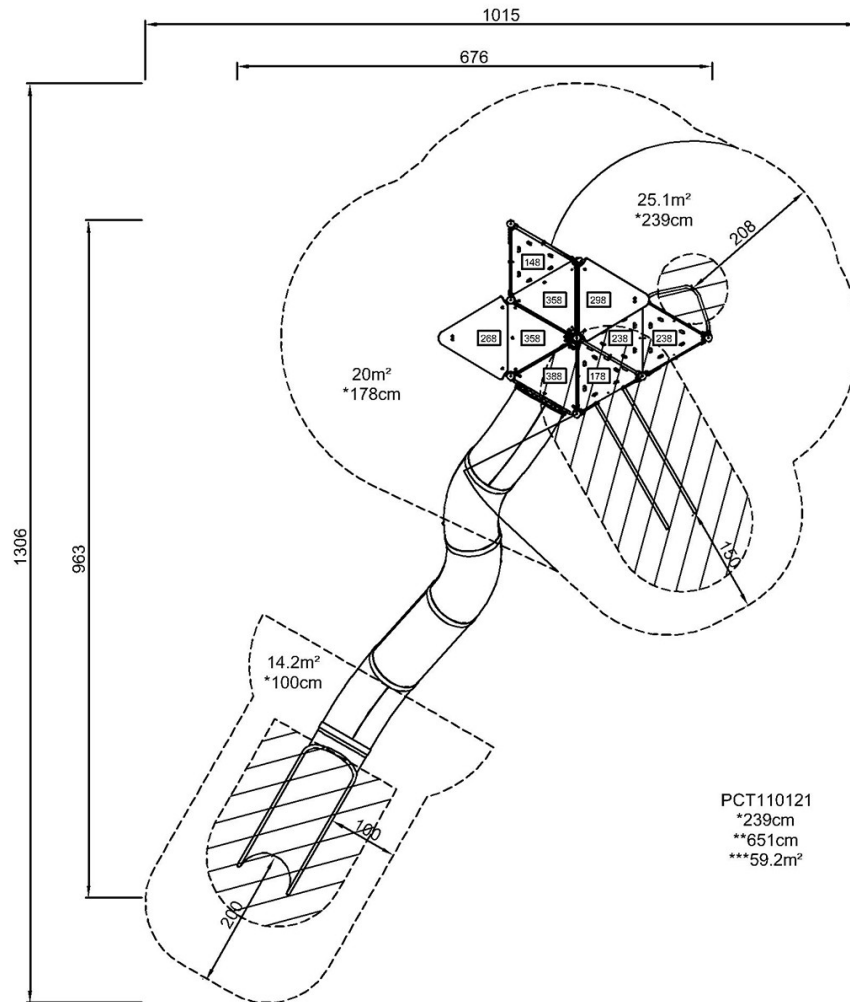


Giant L Base

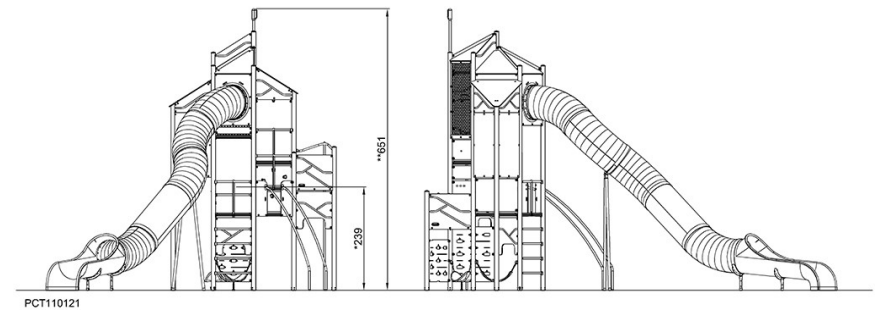
PCT110121

* Max fall height | ** Total height | *** Safety surfacing area

* Max fall height | ** Total height



PCT110121
*239cm
**651cm
***59.2m²



PCT110121

[Click to see TOP VIEW](#)

[Click to see SIDE VIEW](#)