

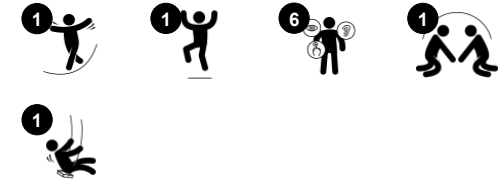
Swing, 8ft H, Shell Seat

KSW93040

KOMPANI
Let's play



Item no. KSW93040-0909	
General Product Information	
Dimensions LxWxH	12'2"x8'0"x9'0"
Age group	2 - 12
Play capacity (users)	6
Color options	



Of all the play activities, the bird's nest swing is the favorite: children love it, as it can be done individually and together. A great facilitator of fun rough-and-tumble play. The shell nest seat is shallow and easy to enter and thus welcomes multiple users of all abilities and most ages. This makes the swing a thrilling common experience. Day after day, for hours

and hours. Swinging, apart from being tremendous fun, trains the children's ABC: Agility, Balance and Coordination, as well as their spatial awareness. These motor skills are crucial to being able to judge distance and navigate traffic safely. Swings allow for standing sitting, laying – and not least jumping off. All these activities train the arm, leg and

core muscles. The jumping off builds bone density – the majority of which is built up during the first years of life. Finally, this swing supports social skills such as turn-taking, cooperation.

Swing, 8ft H, Shell Seat

KSW93040



Shell nest swing

Physical: balance, coordination and spatial awareness are developed. The swinging movement trains the arm, leg and core muscles, and strengthens bone density when jumping off. **Social-Emotional:** the spacious seat allows for many children standing, lying, seated together and is inclusive for all. **Cognitive:** develops cause and effect understanding, rhythm and thinking skills in younger children.



Swing, 8ft H, Shell Seat

KSW93040



The A-Frame is available in three post-material options: Hot-dip galvanized 70mm steel, impregnated pine wood 95x95mm with hot dip galvanized steel footings, or 120mm TexMade™ posts.



The A-Frame is designed with a hot-dip galvanized 100mm crossbar with large steel end plates for strong fixation to the posts. The crossbeam is prepared for all KOMPAN hanger options.



KOMPAN heavy duty designed swing hangers of stainless steel with anti-twist function. The hangers are attached to the cross beam on a welded bracket with two bolts, The bearings are embedded with silicone lubricant and needs no further lubrication.

Item no. KSW93040-0909

Installation Information

Max. fall height	7'9"
Safety surfacing area	540ft ²
Total installation time	4.4
Excavation volume	1.56yd ³
Concrete volume	0.5yd ³
Footing depth (standard)	2'11"
Shipment weight	327lbs
Anchoring options	Surface ✓ In-ground ✓

Warranty Information

Chains	10 Years
Hot dip galvanized steel	Lifetime
Spare Parts Availability	10 Years
Swing hangers	5 Years
Swing seat	10 Years



KOMPAN designed the bird's nest seats to be light in weight and in compliance with global safety standards. The soft, shock absorbent bumpers with non-slip surface makes the swing seat extremely user friendly. Choose between a rope version with reinforced PA rope or a molded PE version. Both equipped with soft rubber bumpers.



A-Frame GreenLine swings are equipped with stability panels to ensure frame durability. The panels are made of 19mm EcoCore™, a highly durable, eco-friendly material. EcoCore™ is not only recyclable after it's used, but it also consists of a core produced from 100% recycled post-consumer material from food packing waste.



KOMPAN GreenLine versions are constructed with the most environmentally friendly materials with the lowest possible CO2e emission factor. TexMade posts, EcoCore™ panels of 100% post-consumer recycled ocean waste, and molded PP decks.

Elevated activities 0	Accessible elevated activities	Accessible ground level activities	Accessible ground level play types
Present	0	1	1
Required	0	0	0

ASTM F1487
compliant

Sustainability Data

KSW93040



Cradle to Gate A1-A3	Total CO ₂ emission	CO ₂ e/kg	Recycled materials
	kg CO ₂ e	kg CO ₂ e/kg	%
KSW93040-0909	425.25	2.83	46.63

The overall framework applied for these factors is the Environmental Product Declaration (EPD), which quantifies "environmental information on the life cycle of a product and enable comparisons between products fulfilling the same function" (ISO, 2006). This follows the structure and applies a Life-Cycle Assessment approach to the entire Product stage from raw material through manufacturing (A1-A3))

Kompan A/S
 C.F. Tietgens Boulevard 32C
 DK-5220 Odense SØ
 Denmark



Verification of CO₂ calculation of: Freestanding play equipment



Data version no. 2023-10-05

The CO₂ calculation and data are in compliance with the principles of a carbon footprint impact according to the GHG protocol (Greenhouse Gas Protocol), Scope 3, cradle to gate related to all individual components in the product category: "Freestanding play equipment" represented by item no.: KSW92011-0910.

(Scope 3 emissions include emission sources in the upstream and downstream value chain).

Date: 30. October 2023 | Valid until: 30. October 2025

Verified by:

Julie Marie Vejsgaard Larsen, LCA & EPD Consultant

Verification based on report: Validation of CO₂ calculation of 9 categories of Kompan product line, version 1.0, prepared by: Bureau Veritas HSE, Denmark: Julie M. V. Larsen.

Publication date: 30. October 2023

By Bureau Veritas HSE
 www.bureauveritas.dk
 +45 7731 1000

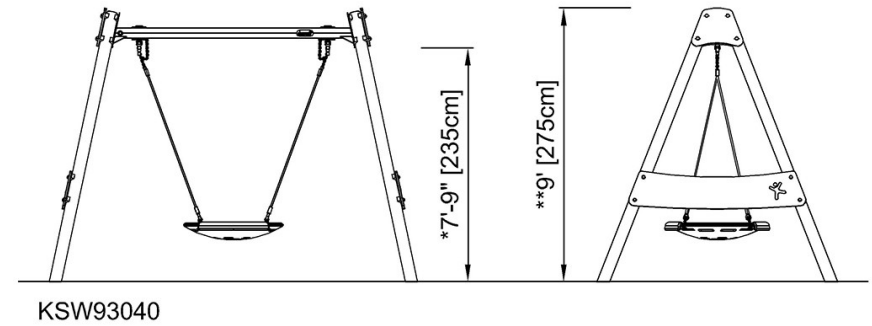
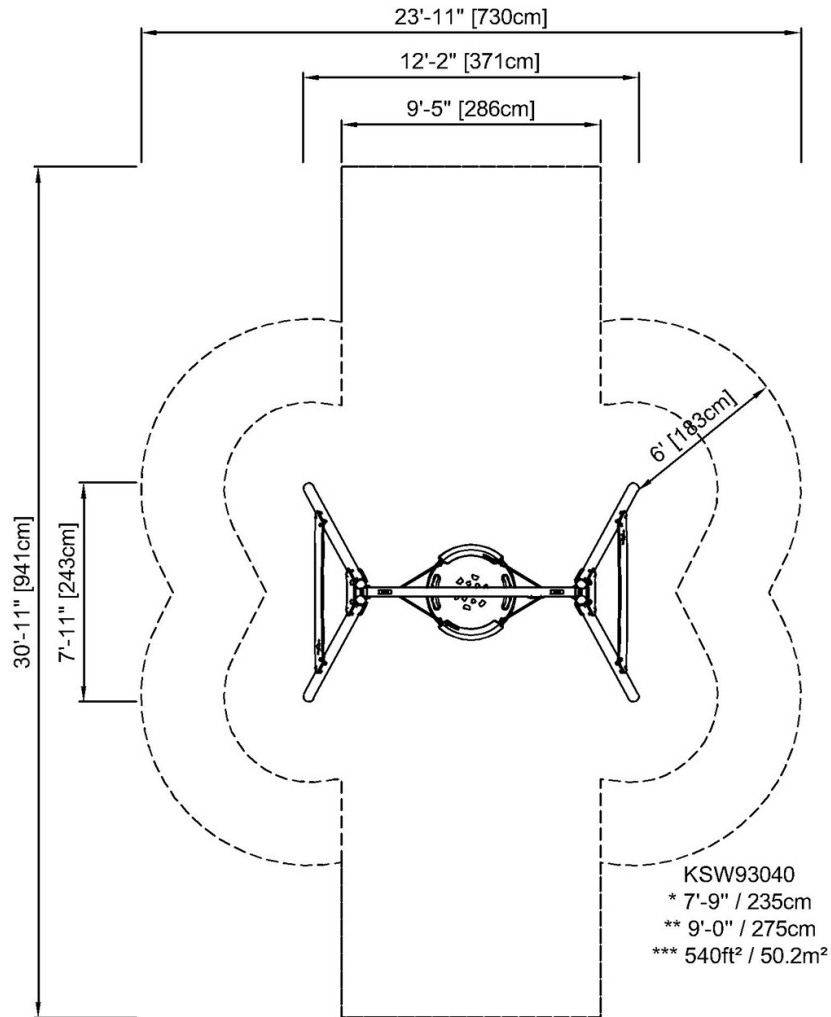


Swing, 8ft H, Shell Seat

KSW93040

* Max fall height | ** Total height | *** Safety surfacing area

* Max fall height | ** Total height



[Click to see TOP VIEW](#)

[Click to see SIDE VIEW](#)