

Baby Seat H: 2.5m

SW990023



| | |
|------------------------------------|------------|
| Item no. SW990023-00 | |
| General Product Information | |
| Dimensions LxWxH | 63x37x0 cm |
| Age group | 1+ |
| Play capacity (users) | 1 |
| Colour options | ● |



The sturdy baby seat of the Baby Seat Swing is an irresistible invitation for infants and their care givers. The swinging motion of the Baby Seat Swing will make infants want to go again and again. There are several benefits of the attraction: firstly, the swing seat supports the seated infant all around so that the feeling of security is guaranteed. Secondly, the rubber

seat is placed at a good height for the infant to be at eye level with older children. The swinging motion trains the child's motor skills, specifically the sense of balance and space. Seated while swinging also trains the core muscles. All of these physical skills are fundamental to the infant's ability to walk and navigate their surroundings securely. The

action also stimulates the understanding of cause and effect and thinking skills. Socially, swinging and getting pushed in the swing seat by parents, care givers or siblings is great fun.



Baby Seat H: 2.5m

SW990023



Toddler swing seat

Physical: balance, coordination and spatial awareness are developed when swinging.

These are necessary skills for judging distances and navigating. **Social-Emotional:** feeling of security from support. **Cognitive:** understanding of 'cause and effect'.



Baby Seat H: 2.5m

SW990023



The baby seat is a two component seat with a PP inner core and outside rubber, produced in one operation. The seat is available with swing chains of either hot-dip galvanised steel or stainless steel.

| | |
|---------------------------------|---------------------|
| Item no. SW990023-00 | |
| Installation Information | |
| Max. fall height | 142 cm |
| Safety surfacing area | 13.9 m ² |
| Total installation time | 0.1 |
| Excavation volume | 0.00 m ³ |
| Concrete volume | 0.00 m ³ |
| Footing depth (standard) | 0 cm |
| Shipment weight | 6 kg |
| Anchoring options | |
| Warranty Information | |
| Chains | 10 years |
| Spare Parts Guarantee | 10 years |
| Swing Seat | 10 years |



Sustainability Data

SW990023



Cradle to Gate A1-A3

Total CO₂ emission

CO₂e/kg

Recycled materials

kg CO₂e

kg CO₂e/kg

%

SW990023-00

22.64

4.30

22.79

The overall framework applied for these factors is the Environmental Product Declaration (EPD), which quantifies "environmental information on the life cycle of a product and enable comparisons between products fulfilling the same function" (ISO, 2006). This follows the structure and applies a Life-Cycle Assessment approach to the entire Product stage from raw material through manufacturing (A1-A3))

Kompan A/S

C.F. Tietgens Boulevard 32C
DK-5220 Odense SØ
Denmark



Verification of CO₂ calculation of: Freestanding play equipment



Data version no. 2023-10-05

The CO₂ calculation and data are in compliance with the principles of a carbon footprint impact according to the GHG protocol (Greenhouse Gas Protocol), Scope 3, cradle to gate related to all individual components in the product category: "Freestanding play equipment" represented by item no.: KSW92011-0910.

(Scope 3 emissions include emission sources in the upstream and downstream value chain).

Date: 30. October 2023 | Valid until: 30. October 2025

Verified by:

Julie Marie Vejsgaard Larsen, LCA & EPD Consultant

Verification based on report: Validation of CO₂ calculation of 9 categories of Kompan product line, version 1.0, prepared by: Bureau Veritas HSE, Denmark: Julie M. V. Larsen.

Publication date: 30. October 2023

By Bureau Veritas HSE

www.bureauveritas.dk

+45 7731 1000

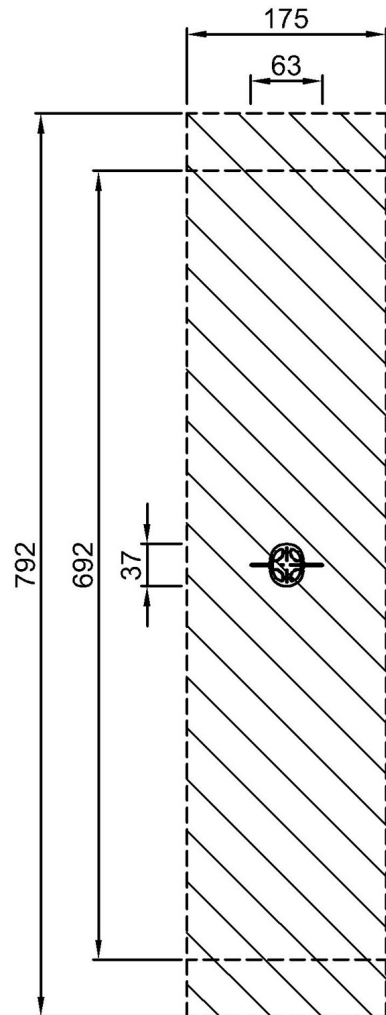


Baby Seat H: 2.5m

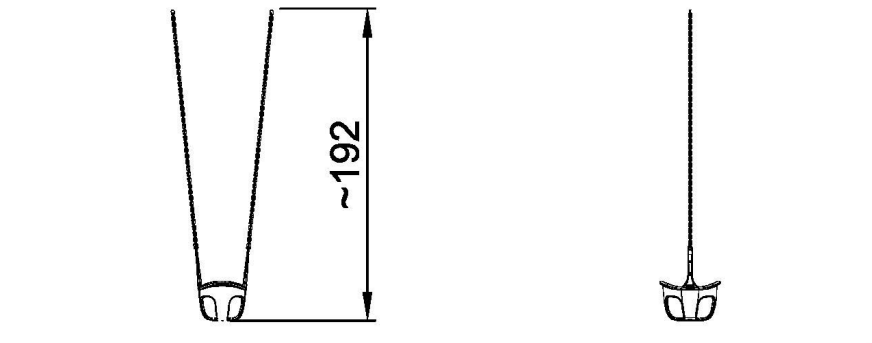
SW990023

* Max fall height | ** Total height | *** Safety surfacing area

* Max fall height | ** Total height



SW990023
***13.9m²



SW990023
1:100

[Click to see TOP VIEW](#)

[Click to see SIDE VIEW](#)