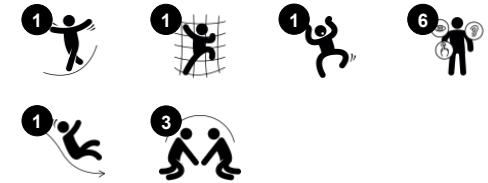


Play Tower with Slide

PCM100121



| Item no. PCM100121-0902 | |
|-----------------------------|----------------|
| General Product Information | |
| Dimensions LxWxH | 339x130x221 cm |
| Age group | 2+ |
| Play capacity (users) | 6 |
| Color options | |



This fantastic play tower will inspire young children to play actively, using their muscles to climb to the top and slide to the ground, again and again. The net climber provides an age-appropriate challenge to help develop cross-coordination skills. Strengthening cross-coordination skills enhances children's abilities to use both sides of their brain. This cross-

modal perception enables e.g. reading. The playhouse also offers a space for social play. The windows encourage children to seek out their friends from on top of the tower. The sturdy desk on the side of the structure is an additional place for meetings. Sliding supports posture and balance, important skills for young children as they grow, and great fun for active

physical play. nixa

Play Tower with Slide

PCM100121



Panels of 19mm EcoCore™. EcoCore™ is a highly durable, eco friendly material, which is not only recyclable after use, but also consists of material produced from +95% recycled post consumer material from food packing waste.



Main posts with hot dip galvanized steel footing are available in different materials: Pressure impregnated pine wood posts. Pre-galvanized inside and outside with powder coated top finish steel posts. Lead free aluminum with color anodized top finish. Greenline TexMade posts of 95% post-consumer recycled PE and textile waste.



All decks are supported by unique designed low-carbon aluminum profiles with multiple attachment options. The grey colored molded decks are made of 75% post-consumer waste PP material with a non-skid pattern and texture surface.



The slides can be chosen in six different colors and three materials: Straight or curved one-piece molded PE slides, made from 33% recycled post-consumer materials in different colours. Combined EcoCore™ sides and stainless-steel. Full stainless steel in one piece design for more vandalism proof solutions.



KOMPAN GreenLine versions are designed with ultimate environmentally friendly materials with lowest possible CO2e emission factor such as EcoCore™ panels of +95% post consumer recycled ocean waste.

Item no. PCM100121-0902

Installation Information

| | |
|--------------------------|---------------------|
| Max. fall height | 100 cm |
| Safety surfacing area | 21.6 m ² |
| Total installation time | 9.6 |
| Excavation volume | 0.33 m ³ |
| Concrete volume | 0.00 m ³ |
| Footing depth (standard) | 85 cm |
| Shipment weight | 269 kg |
| Anchoring options | |



Sustainability Data

PCM100121



| Cradle to Gate A1-A3 | Total CO ₂ emission | CO ₂ e/kg | Recycled materials |
|-----------------------|--------------------------------|-------------------------|--------------------|
| | kg CO ₂ e | kg CO ₂ e/kg | % |
| PCM100121-0951 | 344.90 | 1.59 | 72.00 |
| PCM100121-0902 | 409.30 | 2.07 | 63.00 |

The overall framework applied for these factors is the Environmental Product Declaration (EPD), which quantifies "environmental information on the life cycle of a product and enable comparisons between products fulfilling the same function" (ISO, 2006). This follows the structure and applies a Life-Cycle Assessment approach to the entire Product stage from raw material through manufacturing (A1-A3))

Kompan A/S
 C.F. Tietgens Boulevard 32C
 DK-5220 Odense SØ
 Denmark



Verification of CO₂ calculation of: Play systems



Data version no. 2023-10-05

The CO₂ calculation and data are in compliance with the principles of a carbon footprint impact according to the GHG protocol (Greenhouse Gas Protocol), Scope 3, cradle to gate related to all individual components in the product category: "Play systems" represented by item no.: PCM200321-0950.

(Scope 3 emissions include emission sources in the upstream and downstream value chain).

Date: 30. October 2023 | Valid until: 30. October 2025

Verified by:

Julie Marie Vejsgaard Larsen, LCA & EPD Consultant

Verification based on report: Validation of CO₂ calculation of 9 categories of Kompan product line, version 1.0, prepared by: Bureau Veritas HSE, Denmark: Julie M. V. Larsen.

Publication date: 30. October 2023

By Bureau Veritas HSE
 www.bureauveritas.dk
 +45 7731 1000

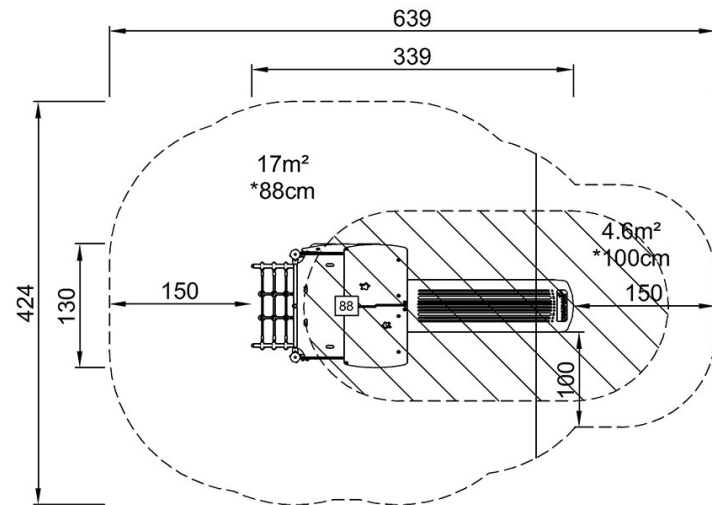


Play Tower with Slide

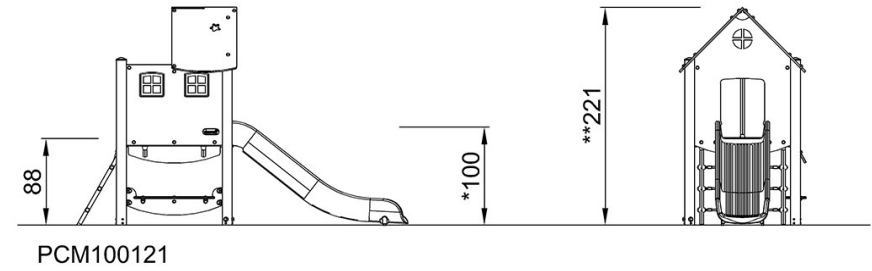
PCM100121

* Max fall height | ** Total height | *** Safety surfacing area

* Max fall height | ** Total height



PCM100121
*100cm
**221cm
***21.6m²



PCM100121

[Click to see TOP VIEW](#)

[Click to see SIDE VIEW](#)