

# Unitruck

NRO560

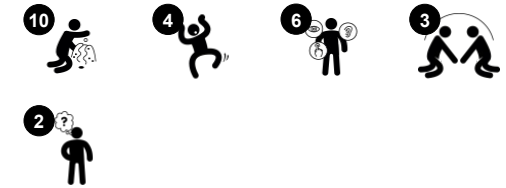
**KOMPAN**  
Let's play



Item no. NRO560-1021

## General Product Information

Dimensions LxWxH	270x163x160 cm
Age group	2+
Play capacity (users)	7
Colour options	



The Unitruck holds an immense appeal for younger children. The recognizable theme spurs dramatic play for young as well as older children. The easily accessible Unitruck invites ground level play for children of all abilities. The richness of manipulative play supports dramatic play, which again builds communication, language and social skills.

This helps children express themselves and being understood by their surroundings. We know from KOMPAN Play Institute studies that manipulative play elements increase play retention. The gear shift, steering wheel and seating area with benches in the back add possibilities of group play, and a place for caregivers to be informally seated. Dramatic

play is the favorite play type for younger children. Well known themes are scientifically stated to support play of younger children and of children with a range of disabilities. The Unitruck is fully accessible for children with difficulties walking and moving.



# Unitruck

NRO560



## Theme

**Cognitive:** suggests a theme and supports dramatic play, which stimulates language and communication skills.



## Gear wheels

**Social-Emotional:** cooperation skills and turn-taking are supported when turning the gearing wheel. **Cognitive:** cause and effect understanding, and logical thinking are supported.



## Megaphone

**Social-Emotional:** inspires communication and turn-taking skills. **Cognitive:** distortion of sound evokes curiosity and stimulates an understanding of cause and effect.



## Binoculars

**Cognitive:** the binoculars promote dramatic play, a great trainer of language and communication skills. **Creative:** the binoculars can be moved around. Looking through them gives a new perspective on the world.



## Switch

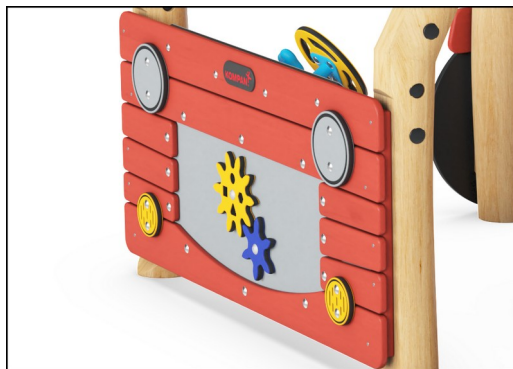
**Cognitive:** an understanding of cause and effect is developed when pushing something that moves. The light switch supports dramatic play, and stimulates language skills.

# Unitruck

NRO560



All organic Robinia products by KOMPAN are made of Robinia wood which is sourced from sustainable plantation farms. On request it can be supplied as FSC® Certified (FSC® C004450).



The paint used for coloured components is water-based, which is environmentally friendly and has excellent UV resistance. The paint is compliant with Australian Standards.



The Robinia products come in a number of standard colour options. The wood can also be supplied as untreated or with brown painted with a pigment that maintains the wood colour.



There are multiple footing options for all products: Surface anchoring with steel footings and expansion bolts, or wood in-ground or steel in-ground footings.



Panels of 19mm EcoCore™. EcoCore™ is a highly durable, eco-friendly material, which is not only recyclable after use but also consists of a core produced from 100% recycled material.



The Robinia wood can be supplied as untreated raw wood, painted with a brown coloured transparent pigment that maintains the golden wood colour or in a coloured version where selected components are painted in different colours.

Item no. NRO560-1021

### Installation Information

Max. fall height	0 cm
Safety surfacing area	24.3 m <sup>2</sup>
Total installation time	16.8
Excavation volume	0.83 m <sup>3</sup>
Concrete volume	0.03 m <sup>3</sup>
Footing depth (standard)	100 cm
Shipment weight	535 kg
Anchoring options	Surface ✓ In-ground ✓

### Warranty Information

EcoCore HDPE	Lifetime
Galvanised Steel	Lifetime
Robinia Wood	15 years
Spare Parts Guarantee	10 years
Stainless Steel Components	Lifetime



# Sustainability Data

NRO560



Cradle to Gate A1-A3	Total CO <sub>2</sub> emission	CO <sub>2</sub> e/kg	Recycled materials
	kg CO <sub>2</sub> e	kg CO <sub>2</sub> e/kg	%
<b>NRO560-1021</b>	150.97	0.35	11.64

The overall framework applied for these factors is the Environmental Product Declaration (EPD), which quantifies "environmental information on the life cycle of a product and enable comparisons between products fulfilling the same function" (ISO, 2006). This follows the structure and applies a Life-Cycle Assessment approach to the entire Product stage from raw material through manufacturing (A1-A3))

**Kompan A/S**  
 C.F. Tietgens Boulevard 32C  
 DK-5220 Odense SØ  
 Denmark



## Verification of CO<sub>2</sub> calculation of: Nature play



Data version no. 2023-10-05

The CO<sub>2</sub> calculation and data are in compliance with the principles of a carbon footprint impact according to the GHG protocol (Greenhouse Gas Protocol), Scope 3, cradle to gate related to all individual components in the product category: "Nature play" represented by item no.: NRO409-0621.

(Scope 3 emissions include emission sources in the upstream and downstream value chain).

**Date: 30. October 2023 | Valid until: 30. October 2025**

**Verified by:**

Julie Marie Vejsgaard Larsen, LCA & EPD Consultant

Verification based on report: Validation of CO<sub>2</sub> calculation of 9 categories of Kompan product line, version 1.0, prepared by: Bureau Veritas HSE, Denmark: Julie M. V. Larsen.

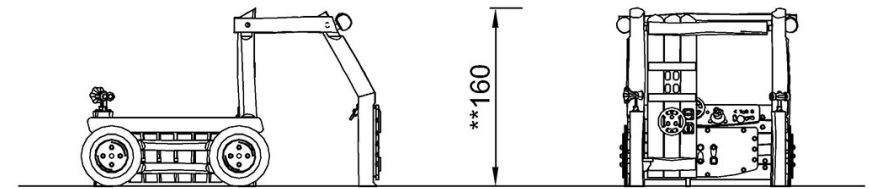
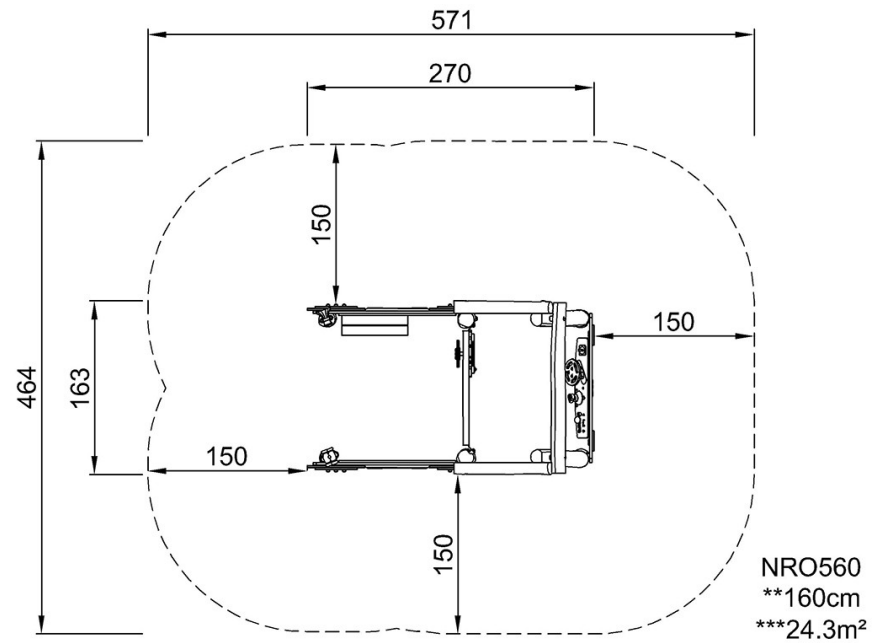
**Publication date: 30. October 2023**

**By Bureau Veritas HSE**  
 www.bureauveritas.dk  
 +45 7731 1000



\* Max fall height | \*\* Total height | \*\*\* Safety surfacing area

\* Max fall height | \*\* Total height



NRO560

[Click to see TOP VIEW](#)

[Click to see SIDE VIEW](#)