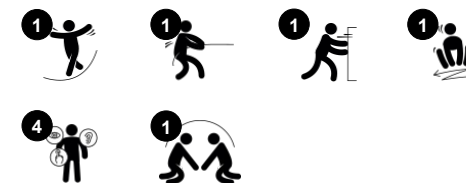


# Rock-It

GXY934



Item no. GXY934000-3717	
<b>General Product Information</b>	
Dimensions LxWxH	122x96x120 cm
Age group	6+
Play capacity (users)	8
Color options	



The Rock-it is a wonderful, cooperative play motivator for bigger children. It has room for lots to play at once and will be used repeatedly by tweens and teens. Its dense design means users need to cooperate and have eye contact or even physical contact, to make the platform rock. The efficient hand hold on the top of the centre beam allows for a firm grip encouraging

children to use their upper body muscles, which are often underused in older children, who sit still to much. Additionally, leg and core muscles are put to the test by the pulling and pushing to make the Rock-it rock. Tweens love to compare and compete in a friendly way, stimulating negotiation and teamwork and the ability to win and lose.



# Rock-It

GXY934



## Handhold

**Physical:** the possibility to hold onto more areas of the handhold ensures a good grip, necessary for spinning intensely. This trains the hand and arm muscles.



## Rocking together

**Social-Emotional:** the possibility of rocking two together trains cooperation skills. Consideration of others when rocking.



## Platform

**Social-Emotional:** Important life skills like courage, self-confidence, consideration and turn-taking are built.

# Rock-It

GXY934



The steel surfaces of GALAXY are hot dip galvanised inside and outside with lead free zinc. The galvanisation has excellent corrosion resistance in outside environments and requires low maintenance.

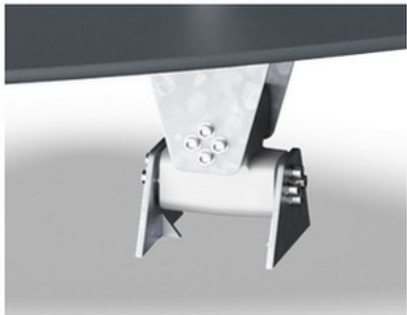


The upper round handle is made with a galvanised steel insert and covered with soft PUR rubber with grooves that ensures good handhold while rocking.



The deck is made of High Pressure Laminate HPL with a thickness 17.8mm and non skid surface texture according to EN 438-6. KOMPAN HPL has high wearing strength to ensure long lifetime in all climates.

Item no. GXY934000-3717	
Installation Information	
Max. fall height	60 cm
Safety surfacing area	13.0 m <sup>2</sup>
Total installation time	2.1
Excavation volume	0.38 m <sup>3</sup>
Concrete volume	0.30 m <sup>3</sup>
Footing depth (standard)	90 cm
Shipment weight	122 kg
Anchoring options	In-ground ✓ Surface ✓



The rocking movement over two axis is made by heavy duty scaled ROSTA torsion spring element. The two ROSTA elements works without any noise and are maintenance-free.



Galaxy products are available in different colour combinations with either hot dip galvanised steel surface treatment or optional with powder top finish of selected steel components. Colours of the activities are adjusted to support the individual colour combination.



# Sustainability Data

GXY934



Cradle to Gate A1-A3	Total CO <sub>2</sub> emission	CO <sub>2</sub> e/kg	Recycled materials
	kg CO <sub>2</sub> e	kg CO <sub>2</sub> e/kg	%
<b>GXY934000-3717</b>	214.91	2.66	23.12

The overall framework applied for these factors is the Environmental Product Declaration (EPD), which quantifies "environmental information on the life cycle of a product and enable comparisons between products fulfilling the same function" (ISO, 2006). This follows the structure and applies a Life-Cycle Assessment approach to the entire Product stage from raw material through manufacturing (A1-A3))

**Kompan A/S**  
 C.F. Tietgens Boulevard 32C  
 DK-5220 Odense SØ  
 Denmark



## Verification of CO<sub>2</sub> calculation of: Freestanding play equipment



Data version no. 2023-10-05

The CO<sub>2</sub> calculation and data are in compliance with the principles of a carbon footprint impact according to the GHG protocol (Greenhouse Gas Protocol), Scope 3, cradle to gate related to all individual components in the product category: "Freestanding play equipment" represented by item no.: GXY916012-3417.

(Scope 3 emissions include emission sources in the upstream and downstream value chain).

**Date: 30. October 2023 | Valid until: 30. October 2025**

Verified by:

Julie Marie Vejsgaard Larsen, LCA & EPD Consultant

Verification based on report: Validation of CO<sub>2</sub> calculation of 9 categories of Kompan product line, version 1.0, prepared by: Bureau Veritas HSE, Denmark: Julie M. V. Larsen.

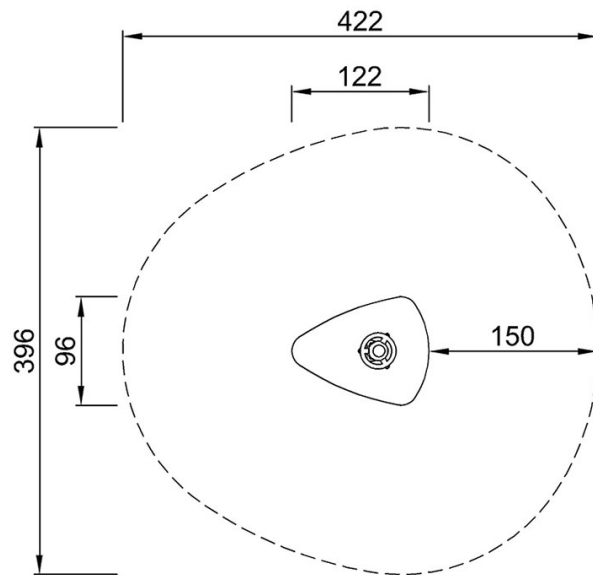
**Publication date: 30. October 2023**

By Bureau Veritas HSE  
 www.bureauveritas.dk  
 +45 7731 1000

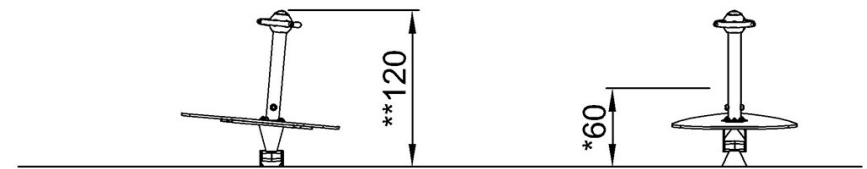


\* Max fall height | \*\* Total height | \*\*\* Safety surfacing area

\* Max fall height | \*\* Total height



GXY934000  
\*60cm  
\*\*120cm  
\*\*\*13m<sup>2</sup>



GXY934000

[Click to see TOP VIEW](#)

[Click to see SIDE VIEW](#)