

Motorcycle Seesaw

M183



Item no. M18301-01P

General Product Information

Dimensions LxWxH	1'10" x 10'2" x 2'8"
Age group	2 - 12
Play capacity (users)	4
Color options	



The Motorcycle seesaw motivates children to join in play, rocking together. The cartoonish design, a KOMPAN classic, attracts children. The sturdy hand and foot support allow for mild and wild rocking. The spring base makes it possible for different ages, even adults and children, to rock together. Risk seekers can stand on the middle platform, sensing the

movement of the others. The platform also allows for socializing, lying or sitting. There is room enough for a caregiver, too. The seats at the end are big enough for older children as well as adults. The fun thrill of rocking, individually, or in pairs or groups, will make children play for longer. Rocking on the Motorcycle seesaw trains the children's

muscles and motor skills, e.g. balance and coordination. The Motorcycle supports development of social-emotional skills, e.g. cooperation, consideration and turn-taking.



Motorcycle Seesaw

M183



Theme

Cognitive: suggests a theme and supports dramatic play, which stimulates language and communication skills.



Center platform

Physical: supports agility, balance and coordination when standing, using leg and core muscles, building bone density when jumping. Also facilitates sitting. **Social-Emotional:** teamwork and socializing when rocking together.



Rocking together

Social-Emotional: the possibility of rocking together develops cooperation skills and consideration of others when rocking.



Rocking spring

Physical: response to movement increases spatial awareness and sense of balance. These are fundamental motor skills that help the child's ability to sit still on a chair which takes a good sense of balance. **Cognitive:** trains the understanding of cause and effect: when I move my body, the spring responds with movement.



Foot support

Physical: a good footrest supports intense rocking. Rocking stimulates the senses of balance and space that are fundamental in managing the world securely. Intense rocking also develops coordination and muscle strength.



Handhold

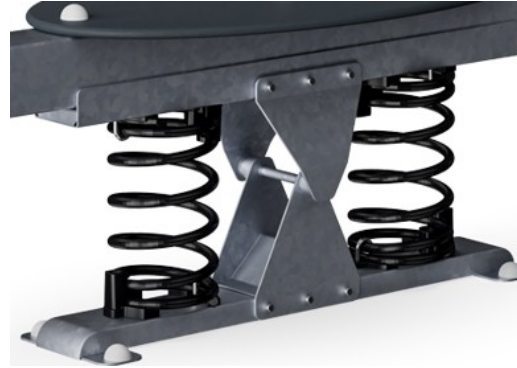
Physical: the vertical handgrips ensure a firm grip at different heights, necessary for rocking intensely. This trains hand and arm muscles.

Motorcycle Seesaw

M183



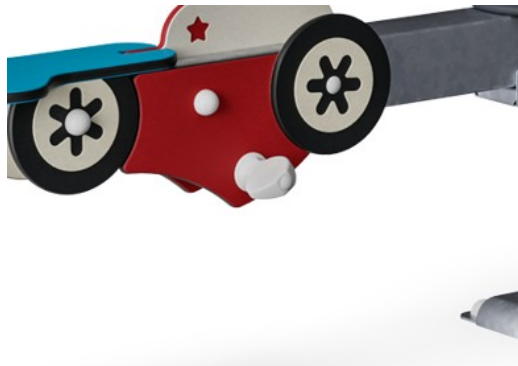
Panels of 19mm EcoCore™. EcoCore™ is a highly durable, eco friendly material, which is not only recyclable after use, but also consists of a core produced from 100% recycled material.



KOMPAN Springs are made of high quality spring steel according to EN10270. The springs are cleaned by phosphating before they are painted with an epoxy primer and a polyester powder coating as top finish. The springs are fixed by unique anti pinch fittings for maximum safety and long lifetime.



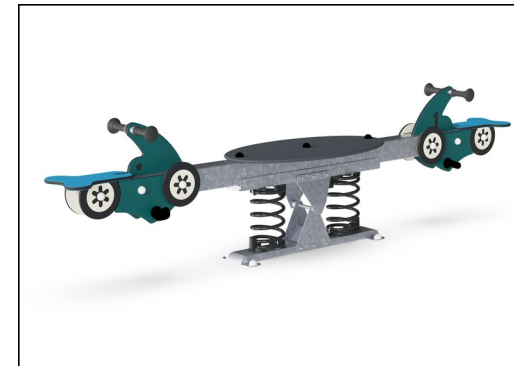
The springs are fixed by unique anti pinch fittings for maximum safety and long lifetime.



Footrests are made of injection molded high quality nylon (PA6). PA6 has good wearing and impact strength.



The steel support posts are hot dip galvanized inside and outside with lead free zinc. The galvanization has excellent corrosion resistance in outside environments and requires low maintenance.



KOMPAN GreenLine versions are designed with the most environmentally friendly materials with the lowest possible CO2e emission factor such as EcoCore™ panels of 100% post-consumer recycled ocean waste.

Item no. M18301-01P	
Installation Information	
Max. fall height	3'3"
Safety surfacing area	321ft²
Total installation time	4.7
Excavation volume	0.55yd³
Concrete volume	0yd³
Footing depth (standard)	1'5"
Shipment weight	362lbs
Anchoring options	In-ground ✓ Surface ✓
Warranty Information	
EcoCore HDPE	Lifetime
Hot dip galvanized steel	Lifetime
HPL platform	15 Years
Spare Parts Availability	10 Years
Springs	5 Years

Elevated activities 0	Accessible elevated activities	Accessible ground level activities	Accessible ground level play types
Present	0	1	1
Required	0	1	1



Sustainability Data

M183



Cradle to Gate A1-A3	Total CO ₂ emission	CO ₂ e/kg	Recycled materials
	kg CO ₂ e	kg CO ₂ e/kg	%
M18301-01P	290.11	2.36	44.56

The overall framework applied for these factors is the Environmental Product Declaration (EPD), which quantifies "environmental information on the life cycle of a product and enable comparisons between products fulfilling the same function" (ISO, 2006). This follows the structure and applies a Life-Cycle Assessment approach to the entire Product stage from raw material through manufacturing (A1-A3))

Kompan A/S
C.F. Tietgens Boulevard 32C
DK-5220 Odense SØ
Denmark



Verification of CO₂ calculation of: Freestanding play equipment



Data version no. 2023-10-05

The CO₂ calculation and data are in compliance with the principles of a carbon footprint impact according to the GHG protocol (Greenhouse Gas Protocol), Scope 3, cradle to gate related to all individual components in the product category: "Freestanding play equipment" represented by item no.: GXY916012-3417.

(Scope 3 emissions include emission sources in the upstream and downstream value chain).

Date: 30. October 2023 | Valid until: 30. October 2025

Verified by:

Julie Marie Vejsgaard Larsen, LCA & EPD Consultant

Verification based on report: Validation of CO₂ calculation of 9 categories of Kompan product line, version 1.0, prepared by: Bureau Veritas HSE, Denmark: Julie M. V. Larsen.

Publication date: 30. October 2023

By Bureau Veritas HSE
www.bureauveritas.dk
+45 7731 1000

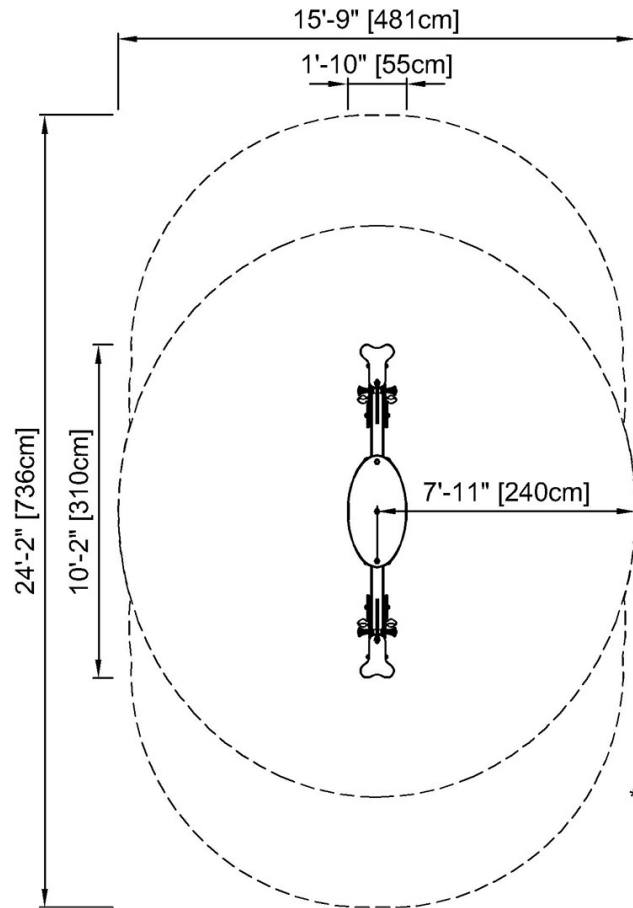


Motorcycle Seesaw

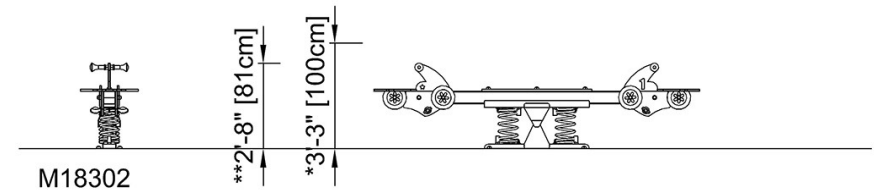
M183

* Max fall height | ** Total height | *** Safety surfacing area

* Max fall height | ** Total height



M18302P
* 3'-3" / 100cm
** 2'-8" / 81cm
*** 320.8ft² / 29.8m²



[Click to see TOP VIEW](#)

[Click to see SIDE VIEW](#)