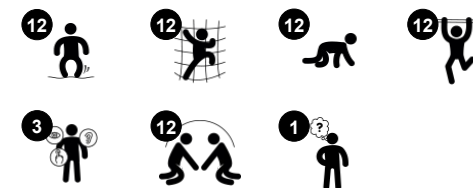


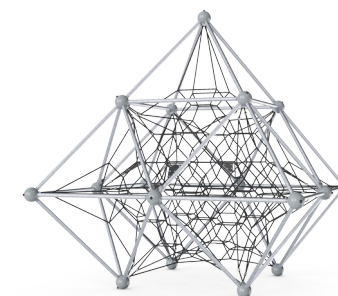
Item no. COR493301-0406	
General Product Information	
Dimensions LxWxH	423x423x446 cm
Age group	5+
Play capacity (users)	31
Colour options	



The Medite offers an exciting climbing experience in three-dimensional nets. The meandering, bouncy climbing paths appeal immensely to children. The thrilling heights and transparency of action are hours of fun. The bouncy, symmetric net cubes take concentration when climbing, as all the movements of other climbers can be sensed

throughout. At this height that means risk assessment and concentration. Social interaction and stimulation of cooperation are encouraged here. The nets train important motor skills such as proprioception, spatial awareness and cross-body coordination which are fundamental skills for risk assessment when, for instance, judging and navigating

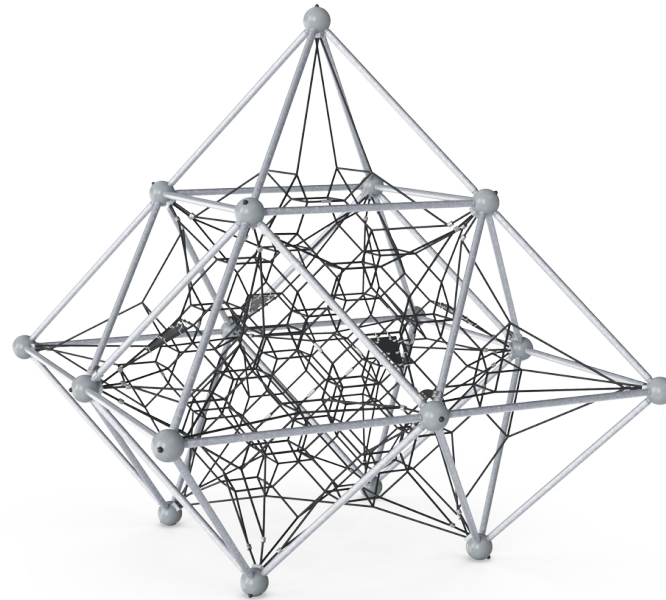
traffic securely. The climbing experiences from bottom to top invites all users and offer graded challenge in play, which means high play capacity.





Height

Social-Emotional: children develop courage and self-regulation when being up high. This positively affects self-confidence.



Big meshes

Physical: the big meshes allow for climbing and crawling, supporting proprioception, cross coordination and spatial awareness. **Social-Emotional:** allow more children being seated together, sharing.



Connected nets

Physical: the connected nets make the climbers feel the movements of the other climbers. All muscle groups are trained, as well as cross coordination. **Social-Emotional:** the climbers' movements affect the other climbers, so consideration and turn-taking is supported.



Transparency

Social-Emotional: the transparency makes cooperation and communication possible, which are essential life skills for children to learn.

Medite

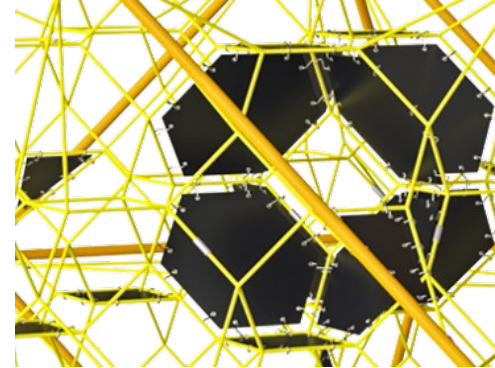
COR49330



Designed to allow the typical function of rope play structures to move Corocord 'S' clamps are used as universal connections in Corocord products. 8mm stainless steel rods with rounded edges are pressed around the ropes with a special hydraulic press, making them the ideal connector. Our clamps are safe, durable and vandalism-proof.



The aluminium swages of the net are double conical with rounded ends and are as small as safety allows. The overall net design aims at keeping metal parts within the net to an absolute minimum, both in size and number, to provide the best possible rope climbing experience.

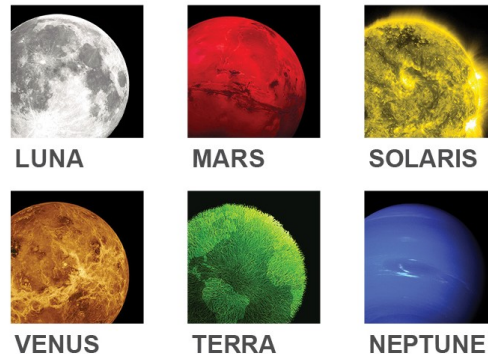


Corocord membranes consist of friction-proof rubberised material of conveyor belt quality with excellent UV resistance. Tested and compliant with REACH requirements for PAH. Embedded is a four-layered armouring made of woven polyester. The armouring and the two surface layers result in a total thickness of 7.5 mm.

Item no. COR493301-0406	
Installation Information	
Max. fall height	165 cm
Safety surfacing area	51.7 m ²
Total installation time	28.9
Excavation volume	1.76 m ³
Concrete volume	0.98 m ³
Footing depth (standard)	120 cm
Shipment weight	850 kg
Anchoring options	In-ground ✓
Warranty Information	
Corocord (Hercules) Rope	10 years
EcoCore HDPE	Lifetime
Galvanised Steel	Lifetime
S-Clamps	10 years
Spare Parts Guarantee	10 years



The steel struts are hot-dip galvanised inside and the outside finish is lead-free zinc. The galvanisation has excellent corrosion resistance in outdoor environments and requires low maintenance.

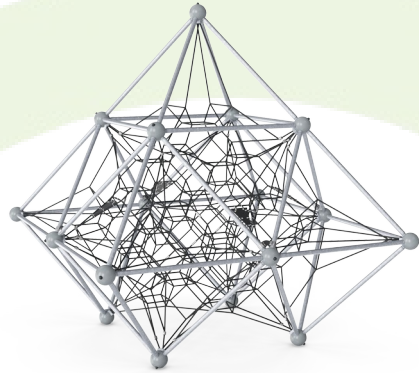


The COROCORD Frame Nets are available in 8 colour themes, ranging from elegant to expressive black or a natural neutral sand colour section to bright eye-catching signal colours which appeals to children of all ages.

AS
4685
compliant

Sustainability Data

COR49330



Cradle to Gate A1-A3	Total CO ₂ emission	CO ₂ e/kg	Recycled materials
	kg CO ₂ e	kg CO ₂ e/kg	%
COR493301-0406	2,552.47	3.84	44.19

The overall framework applied for these factors is the Environmental Product Declaration (EPD), which quantifies "environmental information on the life cycle of a product and enable comparisons between products fulfilling the same function" (ISO, 2006). This follows the structure and applies a Life-Cycle Assessment approach to the entire Product stage from raw material through manufacturing (A1-A3))

Kompan A/S
C.F. Tietgens Boulevard 32C
DK-5220 Odense SØ
Denmark



Verification of CO₂ calculation of: Corocord



Data version no. 2023-10-05

The CO₂ calculation and data are in compliance with the principles of a carbon footprint impact according to the GHG protocol (Greenhouse Gas Protocol), Scope 3, cradle to gate related to all individual components in the product category: "Corocord" represented by item no.: COR314011-1101.

(Scope 3 emissions include emission sources in the upstream and downstream value chain).

Date: 30. October 2023 | Valid until: 30. October 2025

Verified by:

Julie Marie Vejsgaard Larsen, LCA & EPD Consultant

Verification based on report: Validation of CO₂ calculation of 9 categories of Kompan product line, version 1.0, prepared by: Bureau Veritas HSE, Denmark: Julie M. V. Larsen.

Publication date: 30. October 2023

By Bureau Veritas HSE
www.bureauveritas.dk
+45 7731 1000

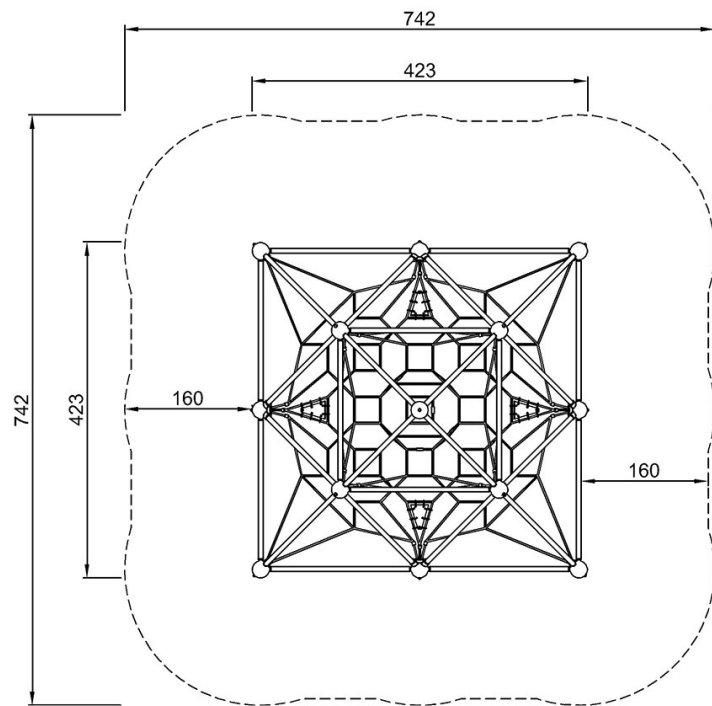


Medite

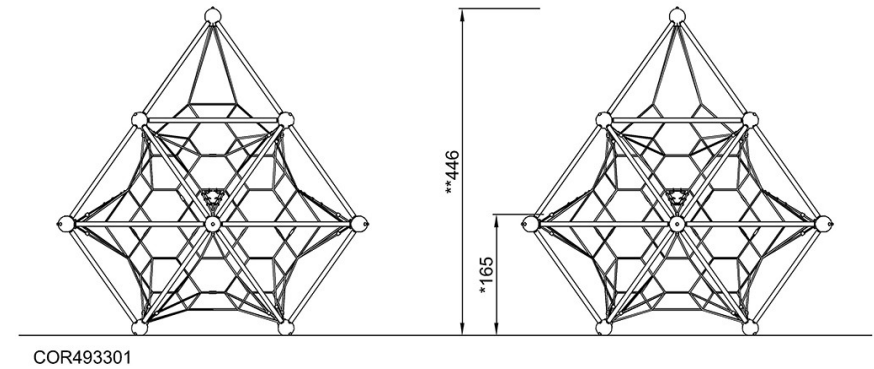
COR49330

* Max fall height | ** Total height | *** Safety surfacing area

* Max fall height | ** Total height



COR493301
*165cm
**446cm
***51.7m²



[Click to see TOP VIEW](#)

[Click to see SIDE VIEW](#)