
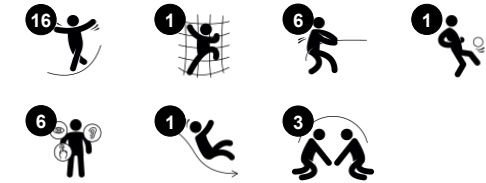


Play Hut with Stairway

NRO703

KOMPAN
Let's play

Item no. NRO703-1001	
General Product Information	
Dimensions LxWxH	640x380x359 cm
Age group	3+
Play capacity (users)	10
Color options	



The Play Hut with Stairway is a wildly attractive playground item, with its multitude of activities. The stairway up has nice support ropes in the sides. This aids children up and down. This journey trains cross-coordination skills, which are fundamental motor skills to develop e.g. The ability to read. Up on the platform, children can take the slide down and enjoy a tickle in

the stomach. Apart from the fun of it, this trains balance skills. The alternative route out from the platform is via the stepping pods with support ropes. These also hugely train the sense of Balance. This is a fundamental motor skill, that is basic for the development of all other skills. The sense of balance for instance makes it possible for children to sit still and

concentrate. So the fun of physical play supports child development. The spaciousness allows for ample social interaction and cooperative play.



Play Hut with Stairway

NRO703



Slide

Physical: sliding develops spatial awareness and a sense of balance. Furthermore, the core muscles are trained when sitting upright going down. **Social-Emotional:** empathy stimulated by turn-taking. **Cognitive:** young children develop their understanding of space, speed and distances when sliding down quickly.



Platform

Social-Emotional: Important life skills like courage, self-confidence, consideration and turn-taking are built.



Rope handholds

Physical: provides stability in balancing. Makes possible hanging in arms, training upper body muscles. **Social-Emotional:** adds a feeling of security.



Steep slope

Physical: inclined crawling or walking up or down develops the sense of balance and cross coordination. Upper body muscles are trained when pulling themselves upwards in the support ropes.



Balance pods

Physical: sense of balance is trained, and bone density built when jumping between and off the pods. **Social-Emotional:** turn-taking and cooperation as well as room for a seated rest with friends.

Play Hut with Stairway

NRO703



The stainless-steel slides with one-piece slide bed are made of high-quality stainless-steel AISI 304.



All Organic Robinia products by KOMPAN are made of Robinia wood from sustainable European sources. On request it can be supplied as FSC® Certified (FSC® C004450).



Slide interface panel of 19mm EcoCore™. EcoCore™ is a highly durable, eco-friendly material, which is not only recyclable after use, but is also made of +95% recycled post-consumer material from e.g., food packing waste in both core and colorful outer layer.



Nets and ropes are made of UV-stabilised PA with inner steel cable reinforcement. The rope is induction treated in order to create a strong connection between steel and rope which leads to good wear resistance.

Item no. NRO703-1001	
Installation Information	
Max. fall height	100 cm
Safety surfacing area	44.6 m ²
Total installation time	19.4
Excavation volume	1.57 m ³
Concrete volume	0.43 m ³
Footing depth (standard)	96 cm
Shipment weight	1,203 kg
Anchoring options	In-ground ✓
Warranty Information	
Robinia wood	15 years
Ropes & nets	10 years
Spare parts guaranteed	10 years
Stainless steel components	Lifetime
Stainless steel components	Lifetime



Sustainability Data

NRO703



Cradle to Gate A1-A3	Total CO ₂ emission	CO ₂ e/kg	Recycled materials
	kg CO ₂ e	kg CO ₂ e/kg	%
NRO703-1001	341.16	0.37	5.40

The overall framework applied for these factors is the Environmental Product Declaration (EPD), which quantifies "environmental information on the life cycle of a product and enable comparisons between products fulfilling the same function" (ISO, 2006). This follows the structure and applies a Life-Cycle Assessment approach to the entire Product stage from raw material through manufacturing (A1-A3))

Kompan A/S
 C.F. Tietgens Boulevard 32C
 DK-5220 Odense SØ
 Denmark



Verification of CO₂ calculation of: Nature play



Data version no. 2023-10-05

The CO₂ calculation and data are in compliance with the principles of a carbon footprint impact according to the GHG protocol (Greenhouse Gas Protocol), Scope 3, cradle to gate related to all individual components in the product category: "Nature play" represented by item no.: NRO409-0621.

(Scope 3 emissions include emission sources in the upstream and downstream value chain).

Date: 30. October 2023 | Valid until: 30. October 2025

Verified by:

Julie Marie Vejsgaard Larsen, LCA & EPD Consultant

Verification based on report: Validation of CO₂ calculation of 9 categories of Kompan product line, version 1.0, prepared by: Bureau Veritas HSE, Denmark: Julie M. V. Larsen.

Publication date: 30. October 2023

By Bureau Veritas HSE
 www.bureauveritas.dk
 +45 7731 1000

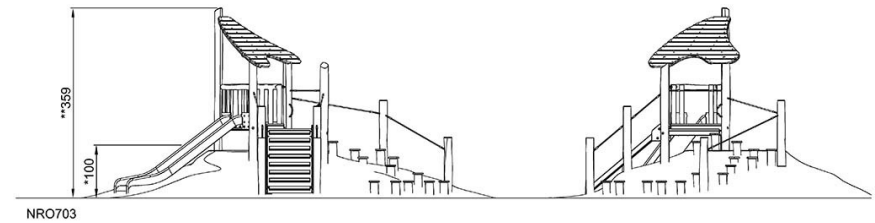
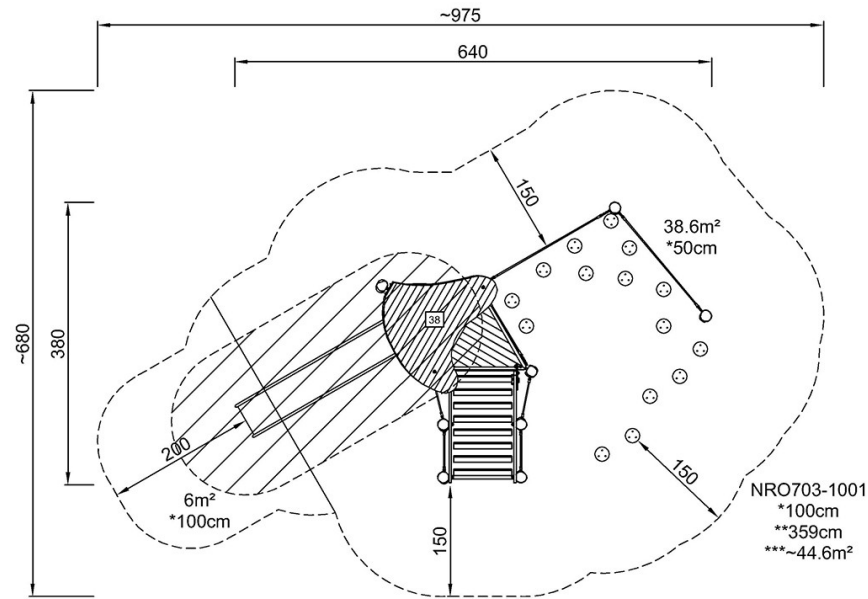


Play Hut with Stairway

NRO703

* Max fall height | ** Total height | *** Safety surfacing area

* Max fall height | ** Total height



[Click to see TOP VIEW](#)

[Click to see SIDE VIEW](#)