

Meeting Point

PCM702



Item no. PCM702-0902

General Product Information

Dimensions LxWxH	119x59x170 cm
Age group	4+
Play capacity (users)	2
Colour options	●



A great place to chill! The Meeting Point adds an important option to the playground. The design appeals to older children and is based on research insights: when creating a meeting point, for instance for teenagers, it is important to make it relatively transparent, while keeping a feeling of a safe haven too. This is why the Meeting Point with Bench features openings in

its back support and sides: To make sure that people seated can see what or who is approaching. The open design also supports the many body positions that teenagers take when Chilling: lying, kneeling, standing, or just sitting. The ability of having a view of the entire playground while meeting with friends or watching your children play. The Meeting Point

has so much more to it than meets the eye.



Data is subject to change without prior notice.

Meeting Point

PCM702



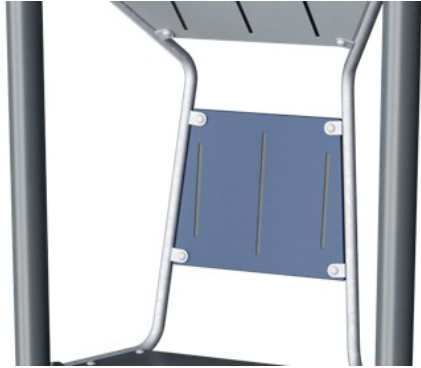
Bench

Social-Emotional: gathering, cooperating or taking a break from play - all train social skills.



Meeting Point

PCM702



Panels of 19mm EcoCore™. EcoCore™ is a highly durable, eco-friendly material, which is not only recyclable after use but also consists of a core produced from 100% recycled material.



The steps are made of high-pressure laminate HPL with a thickness 17.8mm and non-skid surface texture. KOMPAN's HPL is high wearing to ensure longevity within the Australian climate.



The steel surfaces are hot-dip galvanised inside and outside with lead-free zinc. The galvanisation has excellent corrosion resistance in outside environments and requires low maintenance.



Steel posts are galvanised inside and outside with powder-coated top finish. This provides ultimate corrosion resistance in all climates around the world.

Item no. PCM702-0902	
Installation Information	
Max. fall height	42 cm
Safety surfacing area	12.1 m ²
Total installation time	3.0
Excavation volume	0.05 m ³
Concrete volume	0.02 m ³
Footing depth (standard)	85 cm
Shipment weight	79 kg
Anchoring options	In-ground ✓ Surface ✓
Warranty Information	
EcoCore HDPE	Lifetime
Post	10 years
Spare Parts Guarantee	10 years



Sustainability Data

PCM702



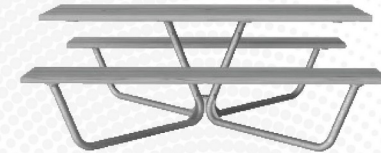
Cradle to Gate A1-A3	Total CO ₂ emission	CO ₂ e/kg	Recycled materials
	kg CO ₂ e	kg CO ₂ e/kg	%
PCM702-0902	142.67	2.73	52.86

The overall framework applied for these factors is the Environmental Product Declaration (EPD), which quantifies "environmental information on the life cycle of a product and enable comparisons between products fulfilling the same function" (ISO, 2006). This follows the structure and applies a Life-Cycle Assessment approach to the entire Product stage from raw material through manufacturing (A1-A3))

Kompan A/S
 C.F. Tietgens Boulevard 32C
 DK-5220 Odense SØ
 Denmark



Verification of CO₂ calculation of: Park



Data version no. 2023-10-05

The CO₂ calculation and data are in compliance with the principles of a carbon footprint impact according to the GHG protocol (Greenhouse Gas Protocol), Scope 3, cradle to gate related to all individual components in the product category: "Park" represented by item no.: PAR4070-0001.

(Scope 3 emissions include emission sources in the upstream and downstream value chain).

Date: 30. October 2023 | Valid until: 30. October 2025

Verified by:

Julie Marie Vejsgaard Larsen, LCA & EPD Consultant

Verification based on report: Validation of CO₂ calculation of 9 categories of Kompan product line, version 1.0, prepared by: Bureau Veritas HSE, Denmark: Julie M. V. Larsen.

Publication date: 30. October 2023

By Bureau Veritas HSE
 www.bureauveritas.dk
 +45 7731 1000

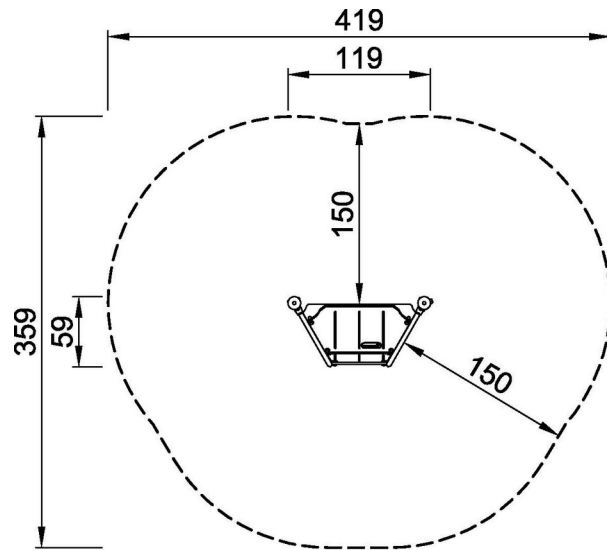


Meeting Point

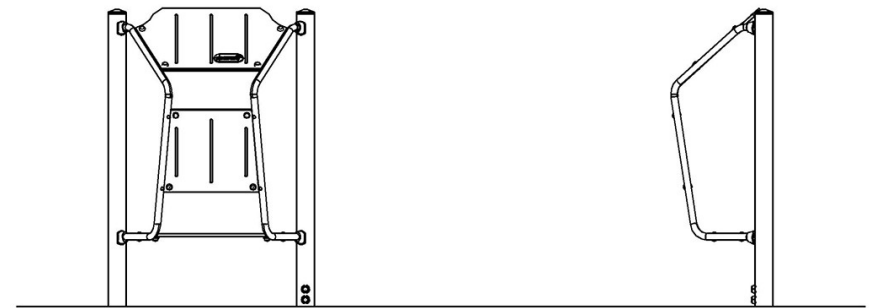
PCM702

* Max fall height | ** Total height | *** Safety surfacing area

* Max fall height | ** Total height



PCM702-xx02
*42cm
**170cm
***12.1m²



PCM702

[Click to see TOP VIEW](#)

[Click to see SIDE VIEW](#)