

# Oasis Sand Boat with Sail


NRO529

**KOMPANI**  
Let's play



The Oasis sand boat with sail is a role play invitation like few others. Place a boat right in the middle of your play space, and sail off into an unknown land! It has a strong canvas sail, and binoculars at the bow. Develop imagination, language and communication skills on this lovely piece, made of organic Robinia timber that can either blend into or

stand out from your surrounds. Children can touch and feel the timber while playing, observing how nature inspiration interacts with the built environment.

Item no. NRO529-1021	
<b>General Product Information</b>	
Dimensions LxWxH	212x462x350 cm
Age group	2+
Play capacity (users)	10
Colour options	



# Oasis Sand Boat with Sail

NRO529



## Theme

**Cognitive:** suggests a theme and supports dramatic play, which stimulates language and communication skills.



## Bench

**Social-Emotional:** the bench is big enough for two and makes a nice meeting point. Sitting closely together with friends is good for children's social skills and well-being.



## Binoculars

**Cognitive:** the binoculars promote dramatic play, a great trainer of language and communication skills. **Creative:** the binoculars can be moved around. Looking through them gives a new perspective on the world.



## Open space in front

**Social-Emotional:** the bench along the keel is a great space for meeting and exchanging.

# Oasis Sand Boat with Sail

NRO529



All organic Robinia products by KOMPAN are made of Robinia wood which is sourced from sustainable plantation farms. On request it can be supplied as FSC® Certified (FSC® C004450).



The paint used for coloured components is water based, which is environmentally friendly and has excellent UV resistance. The paint complies with Australian Standards.



The Robinia products come in a number of standard colour options. The wood can also be supplied as untreated or with brown painted with a pigment that maintains the wood colour.



The product/activities are preassembled from the factory to ensure all safety requirements are considered.



The Robinia wood can be supplied as untreated raw wood, painted with a brown coloured transparent pigment that maintains the golden wood colour or in a coloured version where selected components are painted in different colours.

Item no. NRO529-1021

### Installation Information

Max. fall height	100 cm
Safety surfacing area	28.5 m <sup>2</sup>
Total installation time	11.8
Excavation volume	1.48 m <sup>3</sup>
Concrete volume	0.09 m <sup>3</sup>
Footing depth (standard)	100 cm
Shipment weight	779 kg
Anchoring options	In-ground ✓

### Warranty Information

Robinia Wood	15 years
Ropes & Nets	10 years
Spare Parts Guarantee	10 years
Stainless Steel Components	Lifetime
Stainless Steel Components	Lifetime



# Sustainability Data

NRO529



Cradle to Gate A1-A3	Total CO <sub>2</sub> emission	CO <sub>2</sub> e/kg	Recycled materials
	kg CO <sub>2</sub> e	kg CO <sub>2</sub> e/kg	%
<b>NRO529-1021</b>	130.19	0.19	1.05

The overall framework applied for these factors is the Environmental Product Declaration (EPD), which quantifies "environmental information on the life cycle of a product and enable comparisons between products fulfilling the same function" (ISO, 2006). This follows the structure and applies a Life-Cycle Assessment approach to the entire Product stage from raw material through manufacturing (A1-A3))

**Kompan A/S**  
 C.F. Tietgens Boulevard 32C  
 DK-5220 Odense SØ  
 Denmark



## Verification of CO<sub>2</sub> calculation of: Nature play



Data version no. 2023-10-05

The CO<sub>2</sub> calculation and data are in compliance with the principles of a carbon footprint impact according to the GHG protocol (Greenhouse Gas Protocol), Scope 3, cradle to gate related to all individual components in the product category: "Nature play" represented by item no.: NRO409-0621.

(Scope 3 emissions include emission sources in the upstream and downstream value chain).

**Date: 30. October 2023 | Valid until: 30. October 2025**

**Verified by:**

Julie Marie Vejsgaard Larsen, LCA & EPD Consultant

Verification based on report: Validation of CO<sub>2</sub> calculation of 9 categories of Kompan product line, version 1.0, prepared by: Bureau Veritas HSE, Denmark: Julie M. V. Larsen.

**Publication date: 30. October 2023**

**By Bureau Veritas HSE**  
 www.bureauveritas.dk  
 +45 7731 1000

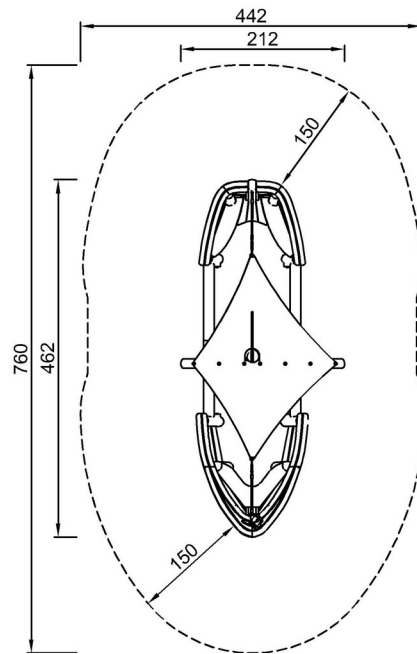


# Oasis Sand Boat with Sail

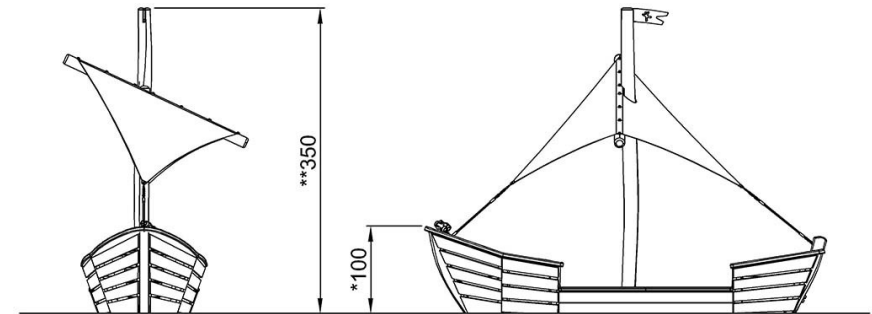
NRO529

\* Max fall height | \*\* Total height | \*\*\* Safety surfacing area

\* Max fall height | \*\* Total height



NRO529  
\*100cm  
\*\*350cm  
\*\*\*28.5m<sup>2</sup>



NRO529

[Click to see TOP VIEW](#)

[Click to see SIDE VIEW](#)