

Double Toddlers Castle

MSC5424

KOMPANI
Let's play



Item no. MSC542401-3417P

General Product Information

| | |
|-----------------------|---|
| Dimensions LxWxH | 323x279x149 cm |
| Age group | 1+ |
| Play capacity (users) | 15 |
| Colour options |  |



This colourful and bright play unit will attract toddlers again and again. With its variety of play experiences, thanks to a layered play space, play details are designed to evoke curiosity and support play from age 1 year and above. The Double Toddler Castle offers physical play that assists with motor skills and muscle stimulation for all, including a broad

stairway to support crawling and carer assistance. There is also a climbing challenge in the inclined climbing wall which trains cross-coordination, and the rewarding slides and fun holes on the platform offer interaction with the outside. The bubble window reflects a child's voice and can support language and logical thinking. The many ground level details are a

tactile temptation for curious toddlers and additionally support cause and effect understanding and logical thinking.



Data is subject to change without prior notice.

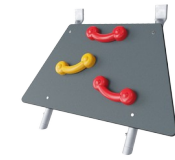
Double Toddlers Castle

MSC5424



Bubble window

Social-Emotional: invites interaction between outside and inside. **Cognitive:** distorts the sound of the voice, developing logical thinking.



Rock climber

Physical: supports cross coordination and leg, arm and hand strength. **Social-Emotional:** the inclination makes climbing feel secure, especially for younger children.



Slide

Physical: develops spatial awareness, sense of balance and trains core muscles when sitting upright going down. **Social-Emotional:** empathy stimulated by turn-taking. **Cognitive:** young children develop their understanding of space, speed and distances when sliding down.



Stairway

Physical: climbing the stairs supports cross coordination as well as arm and leg muscles. **Social-Emotional:** room for active breaks and adult helpers. An inclusive space.



Theme

Cognitive: suggests a theme and supports dramatic play, which stimulates language and communication skills.



Desk with ring

Social-Emotional: a place for meeting and exchanging. **Creative:** sand and construction play encouraged with sieve in desk.

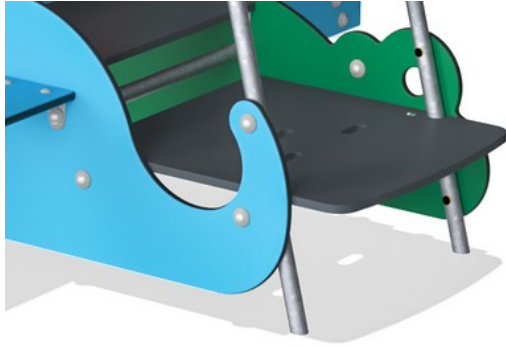


Panel with manipulatives

Social-Emotional: cooperation from both sides of panel. **Cognitive:** cause and effect understanding and logical thinking when making sounds running sphere through groove.

Double Toddlers Castle

MSC5424



All floors are made from high-pressure laminate HPL with a thickness 17.8mm and non-skid surface texture. KOMPAN HPL is high wearing and suitable for all climates.



Panels of 19mm EcoCore™. EcoCore™ is a highly durable, eco-friendly material, which is not only recyclable after use but also consists of a core produced from 100% recycled material.



The steel surfaces are hot-dip galvanised inside and outside with lead-free zinc. The galvanisation has excellent corrosion resistance in outside environments and requires low maintenance.



The transparent bubble is made of PC. It allows children to observe the playground and surroundings.

Item no. MSC542401-3417P

Installation Information

| | |
|--------------------------|--------------------------|
| Max. fall height | 100 cm |
| Safety surfacing area | 25.1 m ² |
| Total installation time | 13.6 |
| Excavation volume | 0.45 m ³ |
| Concrete volume | 0.00 m ³ |
| Footing depth (standard) | 60 cm |
| Shipment weight | 324 kg |
| Anchoring options | In-ground ✓ Surface ✓ |

Warranty Information

| | |
|-----------------------|----------|
| EcoCore HDPE | Lifetime |
| Galvanised Steel | Lifetime |
| HPL Decks | 15 years |
| Movable Parts | 2 years |
| Spare Parts Guarantee | 10 years |



Sustainability Data

MSC5424



| Cradle to Gate A1-A3 | Total CO ₂ emission | CO ₂ e/kg | Recycled materials |
|------------------------|--------------------------------|-------------------------|--------------------|
| | kg CO ₂ e | kg CO ₂ e/kg | % |
| MSC542401-3417P | 465.22 | 1.91 | 53.93 |

The overall framework applied for these factors is the Environmental Product Declaration (EPD), which quantifies "environmental information on the life cycle of a product and enable comparisons between products fulfilling the same function" (ISO, 2006). This follows the structure and applies a Life-Cycle Assessment approach to the entire Product stage from raw material through manufacturing (A1-A3))

Kompan A/S
 C.F. Tietgens Boulevard 32C
 DK-5220 Odense SØ
 Denmark



Verification of CO₂ calculation of: Themed play systems



Data version no. 2023-10-05

The CO₂ calculation and data are in compliance with the principles of a carbon footprint impact according to the GHG protocol (Greenhouse Gas Protocol), Scope 3, cradle to gate related to all individual components in the product category: "Themed play systems" represented by item no.: MSC641100-3717P.

(Scope 3 emissions include emission sources in the upstream and downstream value chain).

Date: 30. October 2023 | Valid until: 30. October 2025

Verified by:

Julie Marie Vejsgaard Larsen, LCA & EPD Consultant

Verification based on report: Validation of CO₂ calculation of 9 categories of Kompan product line, version 1.0, prepared by: Bureau Veritas HSE, Denmark: Julie M. V. Larsen.

Publication date: 30. October 2023

By Bureau Veritas HSE
 www.bureauveritas.dk
 +45 7731 1000

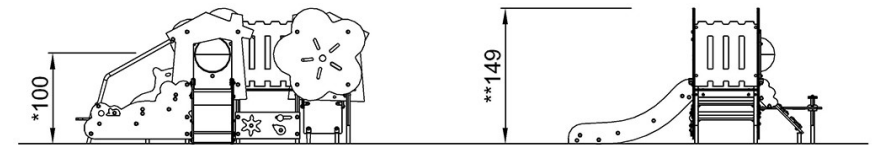
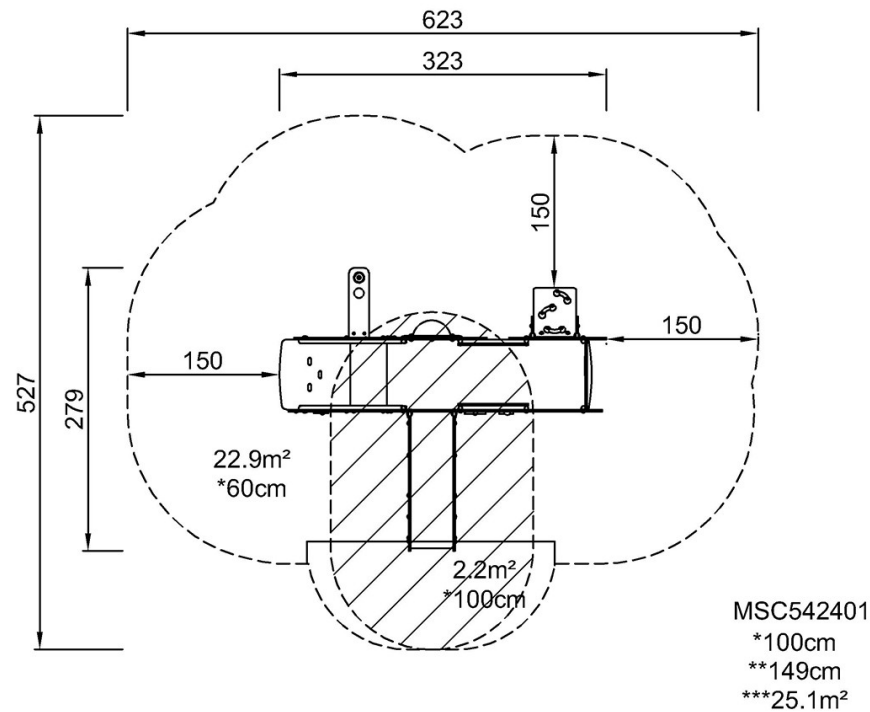


Double Toddlers Castle

MSC5424

* Max fall height | ** Total height | *** Safety surfacing area

* Max fall height | ** Total height



MSC542401

[Click to see TOP VIEW](#)

[Click to see SIDE VIEW](#)