
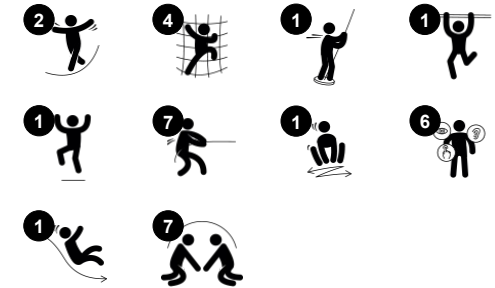


# Multideck Tower with Banister Bars

NRO1026



Item no. NRO1026-1021	
General Product Information	
Dimensions LxWxH	18'0"x18'11"x16'8"
Age group	5 - 12
Play capacity (users)	16
Color options	



The Multideck Play Tower is a greatly varied play motivator for children. The fun selection of scaled play challenges and meeting points stimulate children to play for a long time, again and again. The accessible stairway leads to a lower slide, finishing a practical loop for those with assistive devices or assistants. A play desk adds ground level destination and a place

to socialize. The tower can be climbed in multiple ways: via the stair, via the vertical climbing wall with window openings to decks, or via the net. Climbing trains major muscle groups and cross-coordination. This again stimulates cross-modal perception which is necessary for other skills such as reading. For daredevils, the tall banister bars add plenty of

thrill and a fast way back to ground level. This trains spatial awareness, which is important for navigating through spaces confidently and securely, and for judging distances.

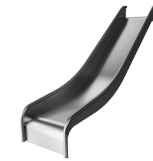
# Multideck Tower with Banister Bars

NRO1026



## Side desk

**Social-Emotional:** fine meeting place and a space creator. Sharing and cooperation from both sides create a social scenario that supports communication and cooperation.



## Slide

**Physical:** sliding develops spatial awareness and a sense of balance. Furthermore, the core muscles are trained when sitting upright going down. **Social-Emotional:** empathy stimulated by turn-taking.



## Climbing wall

**Physical:** supports cross coordination and leg, arm and hand strength. Climbing through the holes trains proprioception. **Social-Emotional:** children develop courage when climbing up high. This positively affects self-confidence.



## Accessible stairway

**Physical:** climbing the accessible stairway is for all and supports cross coordination as well as arm and leg muscles. For young children, walking stairs and alternating feet is developed. **Social-Emotional:** room for active breaks and adult helpers. An inclusive space.



## Banister bars

**Physical:** coordination is supported when going down, as well as arm and core muscles. Landing strengthens bone density, which is built for life in childhood. **Social-Emotional:** turn-taking and risk-taking.

# Multideck Tower with Banister Bars

NRO1026



All Organic Robinia products by KOMPAN are made of Robinia wood from sustainable European sources. On request it can be supplied as FSC® Certified (FSC® C004450).



The paint used for coloured components is water based environmentally friendly with excellent UV resistance. The paint is in compliance with EN 71 Part 3.



The product/activities are preassembled from the factory to ensure all safety requirements are considered.

Item no. NRO1026-1021	
Installation Information	
Max. fall height	9'10"
Safety surfacing area	638ft <sup>2</sup>
Total installation time	44.8
Excavation volume	1.99yd <sup>3</sup>
Concrete volume	0.25yd <sup>3</sup>
Footing depth (standard)	3'3"
Shipment weight	3742lbs
Anchoring options	In-ground ✓ Surface ✓
Warranty Information	
Robinia Wood	10 Years
Ropes & nets	10 Years
Spare Parts Availability	10 Years
Stainless steel components	Lifetime
Stainless steel components	Lifetime



The hardware is made of stainless steel or galvanized steel to ensure durable connections with a high corrosion resistance.



The stainless-steel activities are made of high-quality stainless steel. The steel is cleaned by a total pickling process after manufacturing to ensure a smooth and clean gliding surfaces.



The Robinia products are designed with a KOMPAN color concept with a number of different standard colors. The wood can also be supplied as untreated or with brown painted with a pigment that maintains the wood color.

Elevated activities 4	Accessible elevated activities	Accessible ground level activities	Accessible ground level play types
Present	3	1	1
Required	2	1	1

**ASTM F1487**  
compliant



# Sustainability Data

NRO1026



Cradle to Gate A1-A3	Total CO <sub>2</sub> emission	CO <sub>2</sub> e/kg	Recycled materials
	kg CO <sub>2</sub> e	kg CO <sub>2</sub> e/kg	%
<b>NRO1026-1021</b>	819.46	0.52	7.23

The overall framework applied for these factors is the Environmental Product Declaration (EPD), which quantifies "environmental information on the life cycle of a product and enable comparisons between products fulfilling the same function" (ISO, 2006). This follows the structure and applies a Life-Cycle Assessment approach to the entire Product stage from raw material through manufacturing (A1-A3))

**Kompan A/S**  
 C.F. Tietgens Boulevard 32C  
 DK-5220 Odense SØ  
 Denmark



## Verification of CO<sub>2</sub> calculation of: Nature play



Data version no. 2023-10-05

The CO<sub>2</sub> calculation and data are in compliance with the principles of a carbon footprint impact according to the GHG protocol (Greenhouse Gas Protocol), Scope 3, cradle to gate related to all individual components in the product category: "Nature play" represented by item no.: NRO409-0621.

(Scope 3 emissions include emission sources in the upstream and downstream value chain).

**Date: 30. October 2023 | Valid until: 30. October 2025**

**Verified by:**

Julie Marie Vejsgaard Larsen, LCA & EPD Consultant

Verification based on report: Validation of CO<sub>2</sub> calculation of 9 categories of Kompan product line, version 1.0, prepared by: Bureau Veritas HSE, Denmark: Julie M. V. Larsen.

**Publication date: 30. October 2023**

**By Bureau Veritas HSE**  
 www.bureauveritas.dk  
 +45 7731 1000

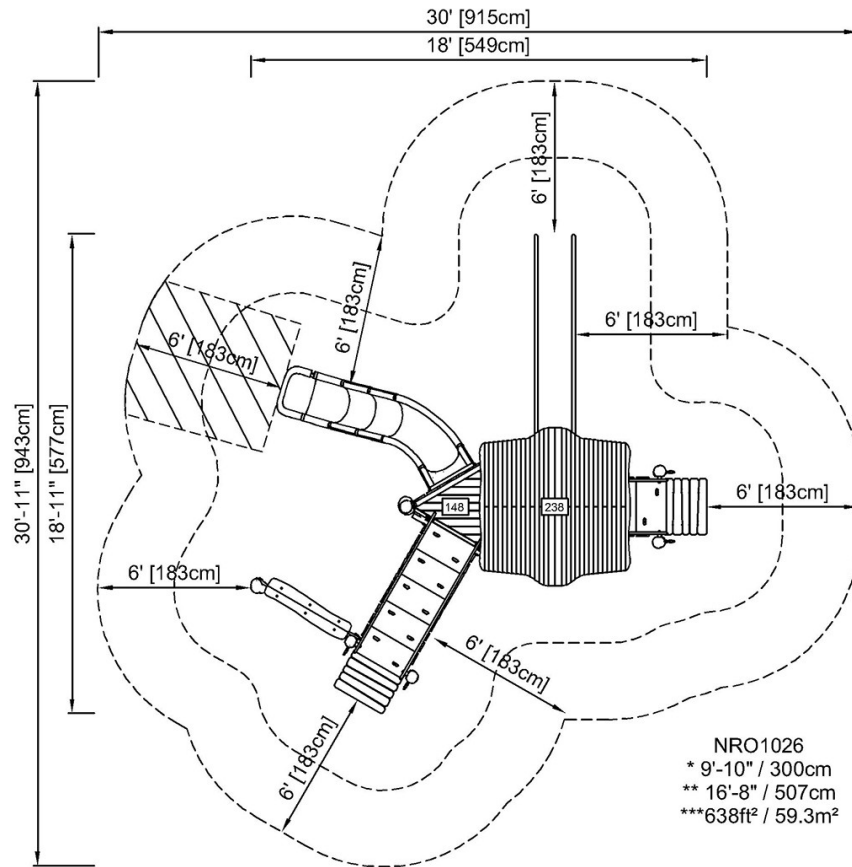


# Multideck Tower with Banister Bars

NRO1026

\* Max fall height | \*\* Total height | \*\*\* Safety surfacing area

\* Max fall height | \*\* Total height



NRO1026

[Click to see TOP VIEW](#)

[Click to see SIDE VIEW](#)