

Agora Picnic - Steel

PAR4170

KOMPAN
Let's play



Item no. PAR4170-0008

General Product Information

Dimensions LxWxH 168x200x77 cm

Age group -

Play capacity (users) -

Colour options



The complete AGORA line is available in highly vandalism resistant steel versions where tabletop and seat are made of perforated HDG Steel, leaving very little need for maintenance. The steel versions are available in accent colours to support a city's visual identity or make a statement.



Agora Picnic - Steel

PAR4170



Steel internal surfaces are hot-dip galvanised, and the outside surfaces are lead and zinc free. Galvanisation has excellent corrosion resistance within outdoor environments and requires very little maintenance. Painted steel parts are hot-dip galvanised and then powder coated.



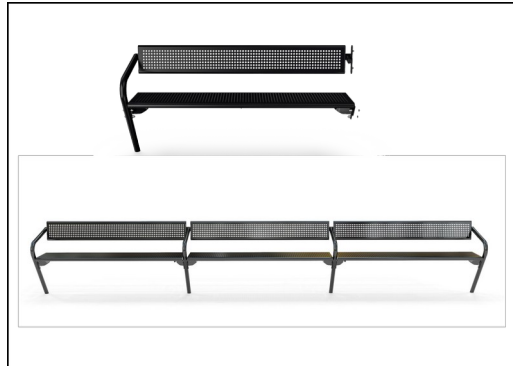
Galvanisation is manufactured with a two-step process which includes light grinding and clean sweeping, which is then finished with a top powder coating to 70-120 µm thickness.



The Agora full steel assortment is available as standard in 9 different colors to match the selected color scheme on the play, sport or fitness site.



The furniture is a freestanding product with optional anchoring possibilities. Kompan has multiple anchoring's to fit specific requirements for individual customer projects. The anchoring is sold as separate modules.



The standard available benches and tables can be customised up with back support, armrests, tables to create unique solutions for your project needs and locations.



The hardware is made of stainless steel or galvanized steel to ensure durable connections with a high corrosion resistance.

Item no. PAR4170-0008

Installation Information

Total installation time	3.4
Excavation volume	0.00 m ³
Concrete volume	0.00 m ³
Footing depth (standard)	0 cm
Shipment weight	198 kg
Anchoring options	Surface ✓ In-ground ✓

Warranty Information

Galvanised Steel	Lifetime
Painted Toplayer	10 years
Spare Parts Guarantee	10 years
Stainless Steel Components	Lifetime

Sustainability Data

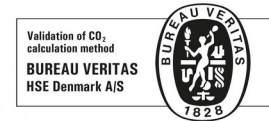
PAR4170



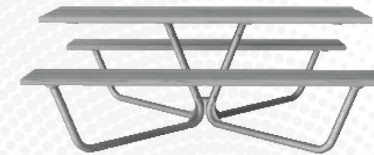
Cradle to Gate A1-A3	Total CO ₂ emission	CO ₂ e/kg	Recycled materials
	kg CO ₂ e	kg CO ₂ e/kg	%
PAR4170-0008	364.18	2.58	50.00

The overall framework applied for these factors is the Environmental Product Declaration (EPD), which quantifies "environmental information on the life cycle of a product and enable comparisons between products fulfilling the same function" (ISO, 2006). This follows the structure and applies a Life-Cycle Assessment approach to the entire Product stage from raw material through manufacturing (A1-A3))

Kompan A/S
 C.F. Tietgens Boulevard 32C
 DK-5220 Odense SØ
 Denmark



Verification of CO₂ calculation of: Park



Data version no. 2023-10-05

The CO₂ calculation and data are in compliance with the principles of a carbon footprint impact according to the GHG protocol (Greenhouse Gas Protocol), Scope 3, cradle to gate related to all individual components in the product category: "Park" represented by item no.: PAR4070-0001.

(Scope 3 emissions include emission sources in the upstream and downstream value chain).

Date: 30. October 2023 | Valid until: 30. October 2025

Verified by:

Julie Marie Vejsgaard Larsen, LCA & EPD Consultant

Verification based on report: Validation of CO₂ calculation of 9 categories of Kompan product line, version 1.0, prepared by: Bureau Veritas HSE, Denmark: Julie M. V. Larsen.

Publication date: 30. October 2023

By Bureau Veritas HSE
 www.bureauveritas.dk
 +45 7731 1000

