



Sandpit

PCM503



Item no. PCM503-0402	
General Product Information	
Dimensions LxWxH	7'5"x7'1"x1'0"
Age group	2 - 5
Play capacity (users)	8
Color options	 



This appealing Sandpit invites children to play with friends or alone for long periods of time. Thanks to the five colored seats or tables, the play is diverse. The children have a firm plate to place sand tools and sand creations on. Caregivers have seats, and more parents can be seated facing the sandbox. Parent seating facilitates longer stays at the playground. The

additional four seats give children the possibility of each creating a space where they can have their home, their shop, or their workshop. Sand invites deep play. The changeable character of sand from dry to wet fascinates children. It additionally trains their tactile sense and understanding of material character and natural phenomena. These are

important life skills that help the child understand the surrounding world. In short, sand play shapes motor skills and cognition.



Sandpit

PCM503



Sandpit

Cognitive: sand play trains the sense of touch and helps children to understand the characteristics of different materials and their uses. Sand can be sieved when dry and shaped when wet.



Seat

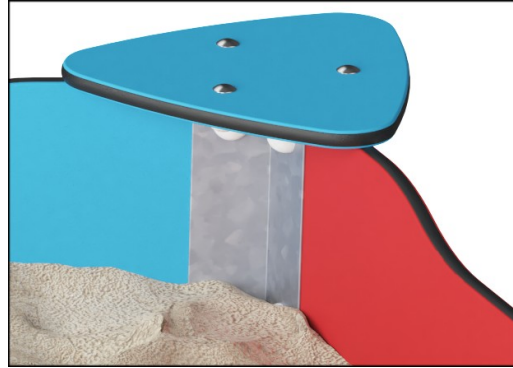
Social-Emotional: offers a point for retraction and a point for meeting and sharing.

Sandpit

PCM503



Panels of 19mm EcoCore™. EcoCore™ is a highly durable, eco friendly material, which is not only recyclable after use, but also consists of a core produced from 100% recycled material.



The steel surfaces are hot dip galvanized inside and outside with lead free zinc. The galvanization has excellent corrosion resistance in outside environments and requires low maintenance.

Item no. PCM503-0402	
Installation Information	
Max. fall height	0'0"
Safety surfacing area	0ft²
Total installation time	3.0
Excavation volume	0.41yd³
Concrete volume	0yd³
Footing depth (standard)	1'5"
Shipment weight	140lbs
Anchoring options	In-ground ✓ Surface ✓
Warranty Information	
EcoCore HDPE	Lifetime
Hot dip galvanized steel	Lifetime
Spare Parts Availability	10 Years

Elevated activities 0	Accessible elevated activities	Accessible ground level activities	Accessible ground level play types
Present	0	1	1
Required	0	1	1



Sustainability Data

PCM503



Cradle to Gate A1-A3	Total CO ₂ emission	CO ₂ e/kg	Recycled materials
	kg CO ₂ e	kg CO ₂ e/kg	%
PCM503-0402	94.99	1.48	70.34

The overall framework applied for these factors is the Environmental Product Declaration (EPD), which quantifies "environmental information on the life cycle of a product and enable comparisons between products fulfilling the same function" (ISO, 2006). This follows the structure and applies a Life-Cycle Assessment approach to the entire Product stage from raw material through manufacturing (A1-A3))

Kompan A/S
 C.F. Tietgens Boulevard 32C
 DK-5220 Odense SØ
 Denmark



Verification of CO₂ calculation of: Themed play systems



Data version no. 2023-10-05

The CO₂ calculation and data are in compliance with the principles of a carbon footprint impact according to the GHG protocol (Greenhouse Gas Protocol), Scope 3, cradle to gate related to all individual components in the product category: "Themed play systems" represented by item no.: MSC641100-3717P.

(Scope 3 emissions include emission sources in the upstream and downstream value chain).

Date: 30. October 2023 | Valid until: 30. October 2025

Verified by:

Julie Marie Vejsgaard Larsen, LCA & EPD Consultant

Verification based on report: Validation of CO₂ calculation of 9 categories of Kompan product line, version 1.0, prepared by: Bureau Veritas HSE, Denmark: Julie M. V. Larsen.

Publication date: 30. October 2023

By Bureau Veritas HSE
 www.bureauveritas.dk
 +45 7731 1000

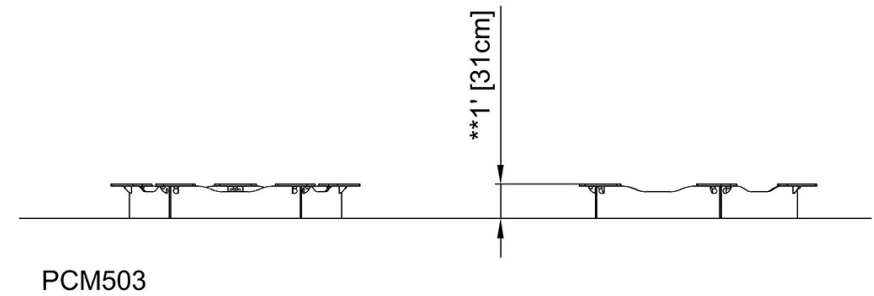
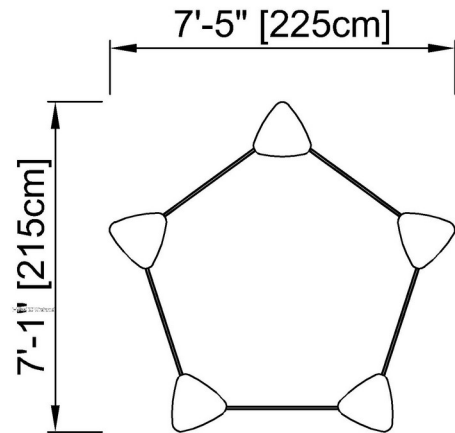


Sandpit

PCM503

* Max fall height | ** Total height | *** Safety surfacing area

* Max fall height | ** Total height



PCM503

** 1' / 31cm

[Click to see TOP VIEW](#)

[Click to see SIDE VIEW](#)