

Kids Table with 4 Sitting Poles

NRO212



Item no. NRO212-0501

General Product Information

Dimensions LxWxH	145x125x50 cm
Age group	1+
Play capacity (users)	4
Color options	<input type="radio"/> <input checked="" type="radio"/>

The Kids Table with its seating for four is ideal for playing with sand, painting, just having a cosy chat or eating a packed lunch together. Product is available as FSC® Certified (FSC® C004450) robinia wood on request.



Kids Table with 4 Sitting Poles

NRO212



Pole seats

Physical: balancing and jumping from one seat to the next trains balance, proprioception and builds bone density. **Social-Emotional:** sharing, listening when having a break.



Table

Social-Emotional: fine meeting place and a space creator. Sharing and cooperation create a social scenario that supports communication and cooperation.

Kids Table with 4 Sitting Poles

NRO212



All Organic Robinia products by KOMPAN are made of Robinia wood from sustainable European sources. On request it can be supplied as FSC® Certified (FSC® C004450).



The Robinia wood can be supplied as untreated raw wood or painted with a brown coloured transparent pigment that maintains the golden wood colour of the wood.

Item no. NRO212-0501

Installation Information

Max. fall height	50 cm
Safety surfacing area	13.9 m ²
Total installation time	2.2
Excavation volume	0.32 m ³
Concrete volume	0.00 m ³
Footing depth (standard)	52 cm
Shipment weight	115 kg
Anchoring options	In-ground ✓ Surface ✓

Warranty Information

Robinia wood	15 years
Spare parts guaranteed	10 years



Sustainability Data

NRO212



Cradle to Gate A1-A3	Total CO ₂ emission	CO ₂ e/kg	Recycled materials
	kg CO ₂ e	kg CO ₂ e/kg	%
NRO212-0501	11.24	0.12	0.23

The overall framework applied for these factors is the Environmental Product Declaration (EPD), which quantifies "environmental information on the life cycle of a product and enable comparisons between products fulfilling the same function" (ISO, 2006). This follows the structure and applies a Life-Cycle Assessment approach to the entire Product stage from raw material through manufacturing (A1-A3))

Kompan A/S
 C.F. Tietgens Boulevard 32C
 DK-5220 Odense SØ
 Denmark



Verification of CO₂ calculation of: Nature play



Data version no. 2023-10-05

The CO₂ calculation and data are in compliance with the principles of a carbon footprint impact according to the GHG protocol (Greenhouse Gas Protocol), Scope 3, cradle to gate related to all individual components in the product category: "Nature play" represented by item no.: NRO409-0621.

(Scope 3 emissions include emission sources in the upstream and downstream value chain).

Date: 30. October 2023 | Valid until: 30. October 2025

Verified by:

Julie Marie Vejsgaard Larsen, LCA & EPD Consultant

Verification based on report: Validation of CO₂ calculation of 9 categories of Kompan product line, version 1.0, prepared by: Bureau Veritas HSE, Denmark: Julie M. V. Larsen.

Publication date: 30. October 2023

By Bureau Veritas HSE
 www.bureauveritas.dk
 +45 7731 1000

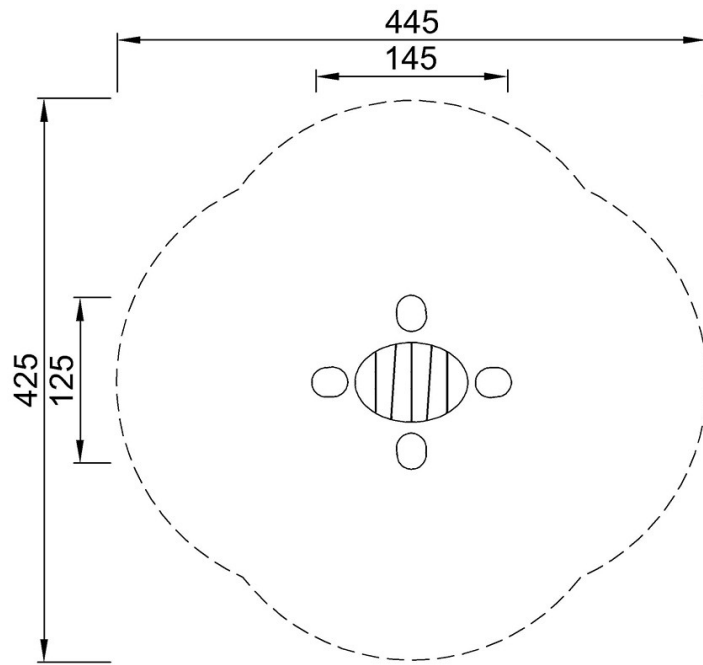


Kids Table with 4 Sitting Poles

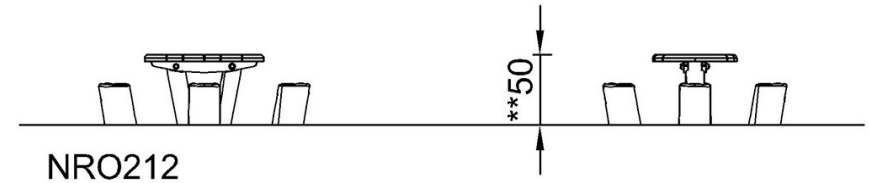
NRO212

* Max fall height | ** Total height | *** Safety surfacing area

* Max fall height | ** Total height



NRO212
**50cm
***13.9m²



[Click to see TOP VIEW](#)

[Click to see SIDE VIEW](#)