

# Combi Steps

FSW219



Item no. FSW21900-0900	
<b>General Product Information</b>	
Dimensions LxWxH	2'0"x21'0"x2'7"
Age group	13+
Play capacity (users)	4
Color options	



See KOMPAN Fit App for More Information

As a single item, the Combi Step bench is one of the most versatile pieces of exercise equipment. The KOMPAN Sport & Fitness app covers more than 50 exercises that you can do with it. By putting four in a row you also create a great element for an obstacle course. As the steps progress they becoming higher, meaning they are more intense exercise since more

power is needed to get to the top, whether you step or jump.



# Combi Steps

FSW219



The support frame is  $\varnothing 48.3 \times 4$ mm, carbon steel, with a hot-dip galvanized surface according to ISO1461, and a powder coating corrosion class C3 according to ISO12944-2. Lead content for surfaces are below 90ppm.



The surface is produced of recycled SBR (Styrene Butadiene Monomer, Synthetic Rubber) for optimal grip during jumping and step on step off exercises under all weather circumstances.



A 5 mm hot-dip galvanized carbon steel plate must be molded inside the SBR to offer optimal stability and optimize the mounting of the step to the frame.

Item no. FSW21900-0900

### Installation Information

Max. fall height	2'7"
Safety surfacing area	277ft <sup>2</sup>
Total installation time	3.9
Excavation volume	0.67yd <sup>3</sup>
Concrete volume	0.44yd <sup>3</sup>
Footing depth (standard)	2'11"
Shipment weight	514lbs
Anchoring options	In-ground ✓ Surface ✓

### Warranty Information

Frame	10 Years
SBR rubber	2 Years
Spare Parts Availability	10 Years



All KOMPAN fitness products are compliant with the ASTM F3101 & EN16630 Outdoor Fitness Standards. Load tests are performed as a static test by adding dynamic factors as well as safety factors to the specified load of 78kg per user. A product intended for 1 user is loaded with 420kg.

**ASTM  
F3101**  
compliant

# Sustainability Data

FSW219



Cradle to Gate A1-A3	Total CO <sub>2</sub> emission	CO <sub>2</sub> e/kg	Recycled materials
	kg CO <sub>2</sub> e	kg CO <sub>2</sub> e/kg	%
<b>FSW21900-0900</b>	307.74	1.81	65.60

The overall framework applied for these factors is the Environmental Product Declaration (EPD), which quantifies "environmental information on the life cycle of a product and enable comparisons between products fulfilling the same function" (ISO, 2006). This follows the structure and applies a Life-Cycle Assessment approach to the entire Product stage from raw material through manufacturing (A1-A3))

**Kompan A/S**  
 C.F. Tietgens Boulevard 32C  
 DK-5220 Odense SØ  
 Denmark



## Verification of CO<sub>2</sub> calculation of: Fitness



Data version no. 2023-10-05

The CO<sub>2</sub> calculation and data are in compliance with the principles of a carbon footprint impact according to the GHG protocol (Greenhouse Gas Protocol), Scope 3, cradle to gate related to all individual components in the product category: "Fitness" represented by item no.: FAZ10100-0900.

(Scope 3 emissions include emission sources in the upstream and downstream value chain).

**Date: 30. October 2023 | Valid until: 30. October 2025**

**Verified by:**

Julie Marie Vejsgaard Larsen, LCA & EPD Consultant

Verification based on report: Validation of CO<sub>2</sub> calculation of 9 categories of Kompan product line, version 1.0, prepared by: Bureau Veritas HSE, Denmark: Julie M. V. Larsen.

**Publication date: 30. October 2023**

**By Bureau Veritas HSE**  
 www.bureauveritas.dk  
 +45 7731 1000

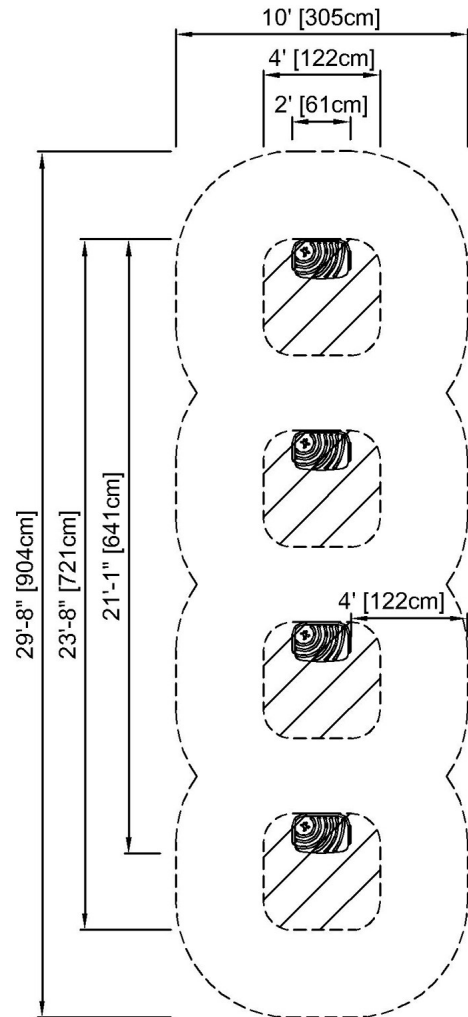


# Combi Steps

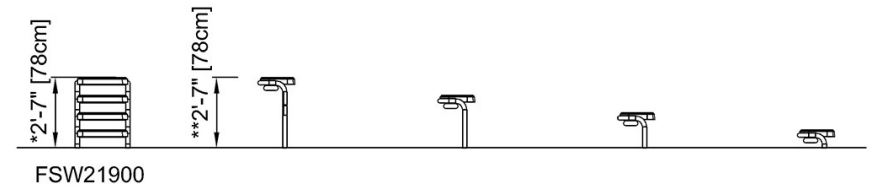
FSW219

\* Max fall height | \*\* Total height | \*\*\* Safety surfacing area

\* Max fall height | \*\* Total height



FSW21900  
\* 2'-7" / 78cm  
\*\* 2'-7" / 78cm  
\*\*\*277ft<sup>2</sup> / 25.7m<sup>2</sup>



FSW21900

[Click to see TOP VIEW](#)

[Click to see SIDE VIEW](#)