

Cosmos Meeting Point

FRE3000

KOMPAN
Let's play



This unique design is very spacious and appealing to all. The Meeting Point is the perfect place for getting together with friends or relaxing. The roof consists of 4 screens providing protection from all types of weather conditions, while also providing a great view of the sky. The curved design of the comfortable benches ensure eye contact with the other

users wherever they are sitting, as there are many different ways to sit on the comfortable benches.

Item no. FRE3000-3417	
General Product Information	
Dimensions LxWxH	390x254x263 cm
Age group	3+
Play capacity (users)	-
Color options	●

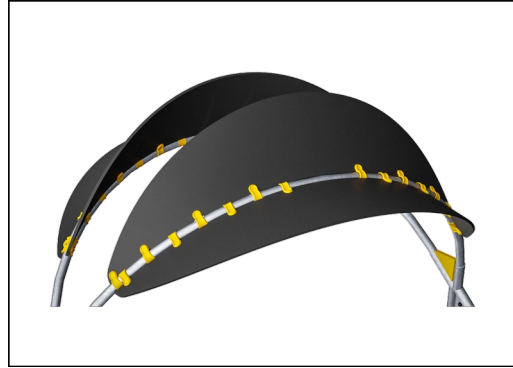


Cosmos Meeting Point

FRE3000



The steel surfaces are hot dip galvanised inside and outside with lead free zinc. The galvanisation has excellent corrosion resistance in outside environments and requires low maintenance.



Roof is made of a steel frame supported Ekogrip® panel. The Ekogrip® panel consist of a 15mm thick PE base with 3 mm top-layer of rubber.

Item no. FRE3000-3417

Installation Information

Max. fall height	0 cm
Safety surfacing area	0.0 m ²
Total installation time	8.4
Excavation volume	1.87 m ³
Concrete volume	0.86 m ³
Footing depth (standard)	70 cm
Shipment weight	375 kg
Anchoring options	In-ground ✓ Surface ✓



Sustainability Data

FRE3000



Cradle to Gate A1-A3	Total CO ₂ emission	CO ₂ e/kg	Recycled materials
	kg CO ₂ e	kg CO ₂ e/kg	%
FRE3000-3417	715.90	2.76	27.80

The overall framework applied for these factors is the Environmental Product Declaration (EPD), which quantifies "environmental information on the life cycle of a product and enable comparisons between products fulfilling the same function" (ISO, 2006). This follows the structure and applies a Life-Cycle Assessment approach to the entire Product stage from raw material through manufacturing (A1-A3))

Kompan A/S
 C.F. Tietgens Boulevard 32C
 DK-5220 Odense SØ
 Denmark



Verification of CO₂ calculation of: Park



Data version no. 2023-10-05

The CO₂ calculation and data are in compliance with the principles of a carbon footprint impact according to the GHG protocol (Greenhouse Gas Protocol), Scope 3, cradle to gate related to all individual components in the product category: "Park" represented by item no.: PAR4070-0001.

(Scope 3 emissions include emission sources in the upstream and downstream value chain).

Date: 30. October 2023 | Valid until: 30. October 2025

Verified by:

Julie Marie Vejsgaard Larsen, LCA & EPD Consultant

Verification based on report: Validation of CO₂ calculation of 9 categories of Kompan product line, version 1.0, prepared by: Bureau Veritas HSE, Denmark: Julie M. V. Larsen.

Publication date: 30. October 2023

By Bureau Veritas HSE
 www.bureauveritas.dk
 +45 7731 1000

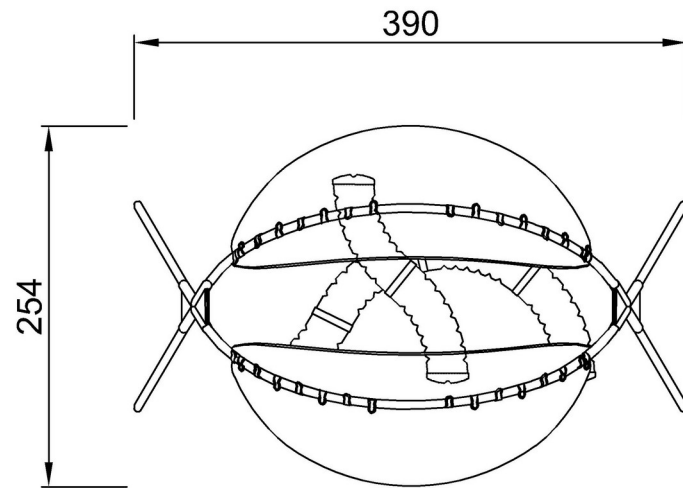


Cosmos Meeting Point

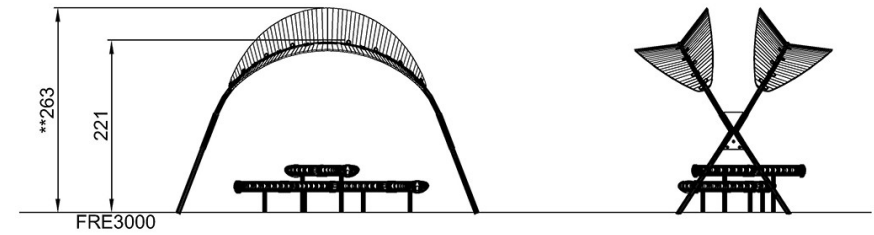
FRE3000

* Max fall height | ** Total height | *** Safety surfacing area

* Max fall height | ** Total height



FRE3000
**263cm



[Click to see TOP VIEW](#)

[Click to see SIDE VIEW](#)