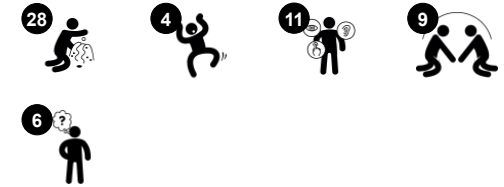


Theater & Music Cottage

NRO606



Item no. NRO606-1021	
General Product Information	
Dimensions LxWxH	12'3"x9'3"x8'5"
Age group	2 - 5
Play capacity (users)	15
Color options	



The Robinia Theater & Music Cottage attracts toddlers, preschoolers and adults for hours of varied, creative play. With its richness in detail, the play unit invites dramatic and explorative play as well as solid social interaction and cooperation. The xylophone and drum panels support creative play and invite groups of players due to their angle out from the house.

The clock, bell, flaps, shelf and mirror are dense with cause-and-effect learning and creative play. These stimulate logical thinking and spur dramatic play, which is great for language development. The desk of the house invites breaks and in tests with children is used repeatedly for rough-and-tumble, climb over, through and around play activities. Apart from

stimulating muscles this trains important motor skills such as cross-body coordination, which is fundamental for later reading skills.



Theater & Music Cottage

NRO606



Drums

Social-Emotional: cooperation and co-creation, parallel and group play. **Cognitive:** cause and effect understanding when creating sounds, supporting a sense of rhythm that is essential for pre-reading skills. **Creative:** creating and leaving a mark with sound.



Xylophone music panel

Social-Emotional: invites social interaction and co-creation for more children, on both sides. **Cognitive:** understanding of cause and effect when striking tubes and creating sound. **Creative:** the creation of different intensity and tonality stimulates creative skills.



Percussion

Social-Emotional: cooperative play and co-creation when playing from both sides. **Cognitive:** understanding cause and effect when figuring out different sounding areas of surface, and practicing rhythm that is essential for pre-reading skills. **Creative:** creating, combining and leaving a mark of different sounds.



Clock and bell panel

Cognitive: understanding cause and effect when ringing bell, learning about numeracy and time in a tangible way. **Creative:** leaving a mark when creating new positions on clock or with sound creating a rhythm when ringing or knocking the bell.



Shelf

Cognitive: suggests a theme and supports dramatic play, which stimulates language and communication skills. Gives the option of hiding or storing items as part of dramatic play or explorative play.



Desk flaps w. holes

Social-Emotional: cooperation, turn-taking and parallel play inspired by the two flaps. **Cognitive:** shifting things through holes to shelf supports logical thinking and the understanding of object permanence.



Mirror

Cognitive: understanding of individuality and self expression. Stimulates dramatic play and so language and communication development.

Theater & Music Cottage

NRO606



All Organic Robinia products by KOMPAN are made of Robinia wood from sustainable European sources. On request it can be supplied as FSC® Certified (FSC® C004450).



The paint used for colored components is water based environmental friendly with excellent UV resistance. The paint is in compliance with EN 71 Part 3.

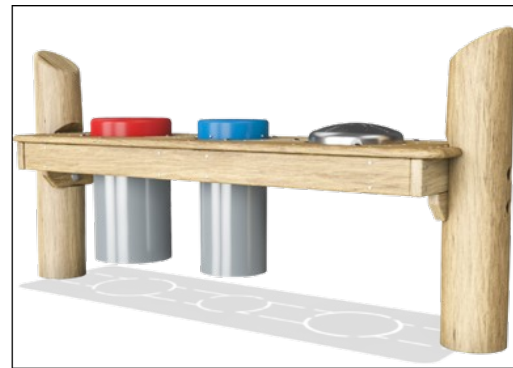


Play activities in very strong materials: HDPE-plate with HDPE-clock and hands in conveyer belt rubber, bell in pressed aluminium. Mirror in plexi-glass with a high impact resistant.

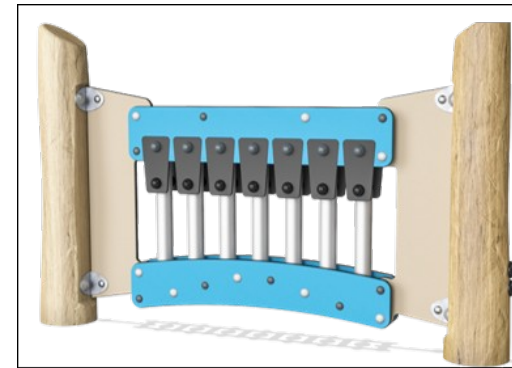
Item no. NRO606-1021	
Installation Information	
Max. fall height	0'0"
Safety surfacing area	0ft ²
Total installation time	15.4
Excavation volume	0.72yd ³
Concrete volume	0yd ³
Footing depth (standard)	3'3"
Shipment weight	1576lbs
Anchoring options	In-ground ✓ Surface ✓
Warranty Information	
Membrane	2 Years
Robinia Wood	10 Years
Ropes & nets	10 Years
Spare Parts Availability	10 Years
Stainless steel components	Lifetime



All rubber activities/components are made of conveyer belt rubber that makes it extremely weather resistant and long lasting.



The percussion panel consist of 2 Conga Drums with PP tubes and top in colored ABS. Babel drum in stainless steel 316L.



The Xylofon music panel consist of HDPE - material in 19mm EcoCore™. EcoCore™ is a highly durable, ecofriendly material. The pipes are made of die-cast aluminium specifically alloyed for outdoor environments.

Elevated activities 0	Accessible elevated activities	Accessible ground level activities	Accessible ground level play types
Present	0	3	2
Required	0	2	2

ASTM F1487
compliant

Sustainability Data

NRO606



Cradle to Gate A1-A3	Total CO ₂ emission	CO ₂ e/kg	Recycled materials
	kg CO ₂ e	kg CO ₂ e/kg	%
NRO606-1021	200.23	0.33	4.43

The overall framework applied for these factors is the Environmental Product Declaration (EPD), which quantifies "environmental information on the life cycle of a product and enable comparisons between products fulfilling the same function" (ISO, 2006). This follows the structure and applies a Life-Cycle Assessment approach to the entire Product stage from raw material through manufacturing (A1-A3))

Kompan A/S
 C.F. Tietgens Boulevard 32C
 DK-5220 Odense SØ
 Denmark



Verification of CO₂ calculation of: Nature play



Data version no. 2023-10-05

The CO₂ calculation and data are in compliance with the principles of a carbon footprint impact according to the GHG protocol (Greenhouse Gas Protocol), Scope 3, cradle to gate related to all individual components in the product category: "Nature play" represented by item no.: NRO409-0621.

(Scope 3 emissions include emission sources in the upstream and downstream value chain).

Date: 30. October 2023 | Valid until: 30. October 2025

Verified by:

Julie Marie Vejsgaard Larsen, LCA & EPD Consultant

Verification based on report: Validation of CO₂ calculation of 9 categories of Kompan product line, version 1.0, prepared by: Bureau Veritas HSE, Denmark: Julie M. V. Larsen.

Publication date: 30. October 2023

By Bureau Veritas HSE
 www.bureauveritas.dk
 +45 7731 1000

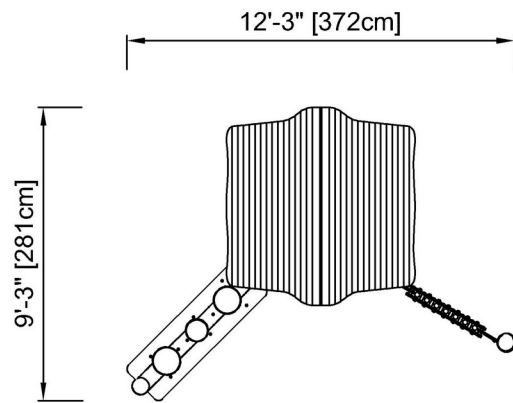


Theater & Music Cottage

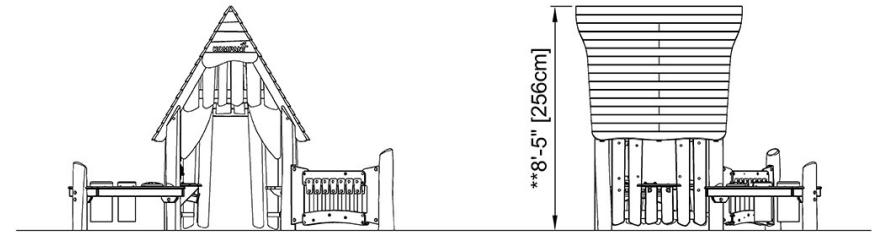
NRO606

* Max fall height | ** Total height | *** Safety surfacing area

* Max fall height | ** Total height



NRO606
** 8'-5" / 256cm



NRO606

[Click to see TOP VIEW](#)

[Click to see SIDE VIEW](#)