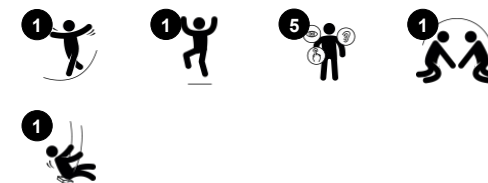


Steel Swing H:2.5m, Shell Seat 100cm

KSW92007



Item no. KSW92007-0910	
General Product Information	
Dimensions LxWxH	319x184x255 cm
Age group	2+
Play capacity (users)	6
Colour options	●



Of all the play activities, the bird's nest swing is the favourite: children love it, as it can be done individually and together. A great facilitator of fun rough-and-tumble play. The seat caters for multiple users of all abilities and most ages and makes it a thrilling, swinging common experience. Swinging, apart from being tremendous fun, trains the children's ABC:

agility, balance and coordination, as well as their spatial awareness. These motor skills are crucial to being able to judge distance and navigate traffic safely. Swings allow for standing sitting, laying and not least, jumping off. All these activities train the arm, leg and core muscles. The jumping off builds bone density; the majority of which is built up during

the first years of life. Finally, this swing supports social skills such as turn-taking and cooperation.



Steel Swing H:2.5m, Shell Seat 100cm

KSW92007



Shell nest swing

Physical: balance, coordination and spatial awareness are developed when swinging. The swinging movement trains the arm, leg and core muscles. **Social-Emotional:** the spacious seat allows for many children standing, lying, seated together and is inclusive for all. **Cognitive:** 'Cause and effect' understanding, rhythm and thinking skills are developed in younger children.



Steel Swing H:2.5m, Shell Seat 100cm

KSW92007



Vertical posts, swing frames end connectors and crossbeams can either be hot-dip galvanised steel or powder-coated on a pre-galvanised steel base. S



KOMPAN's swing hangers are heavy-duty and designed with stainless steel and anti-twist functions. The hangers attach to the cross beam on a welded bracket with two bolts. The bearings are embedded with silicone lubricant and need no further lubrication; ensuring low maintenance.



The standard seats of KOMPAN swings are engineered for maximum safety and durability. The seat two component seat with a PP inner core and outside rubber is produced in one operation. The seats are available with swing chains of either hot-dip galvanised steel or stainless steel for all swings heights.

Item no. KSW92007-0910

Installation Information

Max. fall height	143 cm
Safety surfacing area	17.5 m ²
Total installation time	4.3
Excavation volume	1.05 m ³
Concrete volume	0.58 m ³
Footing depth (standard)	90 cm
Shipment weight	203 kg
Anchoring options	In-ground ✓

Warranty Information

Chains	10 years
Spare Parts Guarantee	10 years
Steel post HDG	Lifetime
Swing Hangers	5 years
Swing Seat	10 years



KOMPAN has a range of uniquely designed seats for toddlers which includes; A rubber baby seat, a toddler PUR seat with four chain suspension for easy movement and cradle seat. Additional you can select the You & Me swing seat which is suitable for adult and child which allows two users to swing together while facing each other.



KOMPAN's bird's nest seats have been designed to be light in weight and compliant with global safety standards. The soft, shock-absorbent bumpers has a non-slip surface, making the swing seat extremely user friendly. You can choose between a rope version with reinforced PA rope or a moulded PE version.



Sustainability Data

KSW92007



Cradle to Gate A1-A3	Total CO ₂ emission	CO ₂ e/kg	Recycled materials
	kg CO ₂ e	kg CO ₂ e/kg	%
KSW92007-0910	477.33	3.20	44.67

The overall framework applied for these factors is the Environmental Product Declaration (EPD), which quantifies "environmental information on the life cycle of a product and enable comparisons between products fulfilling the same function" (ISO, 2006). This follows the structure and applies a Life-Cycle Assessment approach to the entire Product stage from raw material through manufacturing (A1-A3))

Kompan A/S
 C.F. Tietgens Boulevard 32C
 DK-5220 Odense SØ
 Denmark



Verification of CO₂ calculation of: Freestanding play equipment



Data version no. 2023-10-05

The CO₂ calculation and data are in compliance with the principles of a carbon footprint impact according to the GHG protocol (Greenhouse Gas Protocol), Scope 3, cradle to gate related to all individual components in the product category: "Freestanding play equipment" represented by item no.: KSW92011-0910.

(Scope 3 emissions include emission sources in the upstream and downstream value chain).

Date: 30. October 2023 | Valid until: 30. October 2025

Verified by:

Julie Marie Vejsgaard Larsen, LCA & EPD Consultant

Verification based on report: Validation of CO₂ calculation of 9 categories of Kompan product line, version 1.0, prepared by: Bureau Veritas HSE, Denmark: Julie M. V. Larsen.

Publication date: 30. October 2023

By Bureau Veritas HSE
 www.bureauveritas.dk
 +45 7731 1000

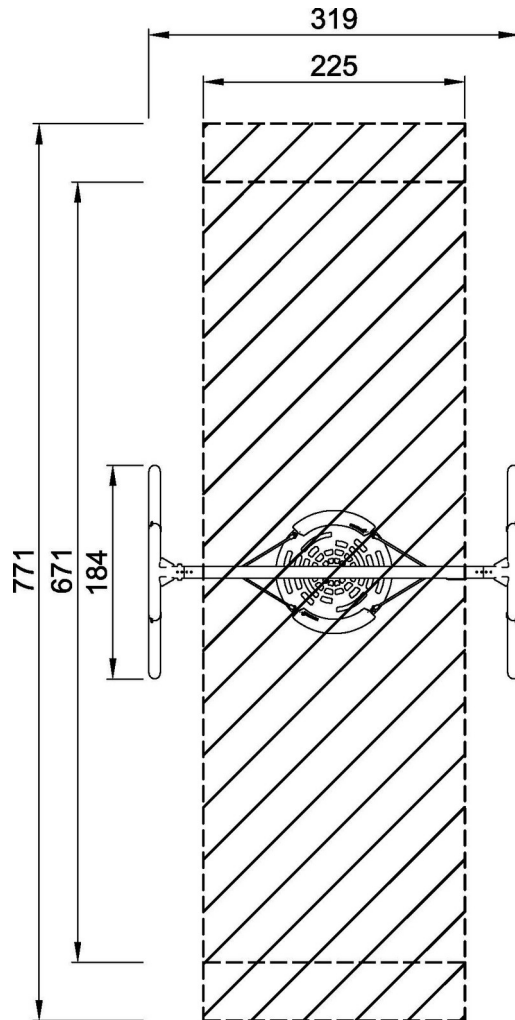


Steel Swing H:2.5m, Shell Seat 100cm

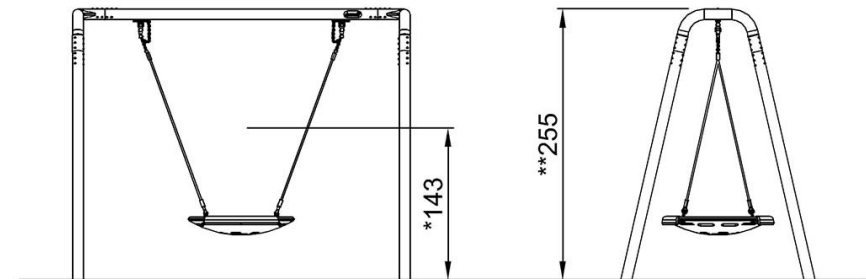
KSW92007

* Max fall height | ** Total height | *** Safety surfacing area

* Max fall height | ** Total height



KSW92007
*143cm
**255cm
***17.5m²



KSW92007

[Click to see TOP VIEW](#)

[Click to see SIDE VIEW](#)