


Village Shop

NRO404



Item no. NRO404-0621	
General Product Information	
Dimensions LxWxH	6'7"x6'0"x8'5"
Age group	2 - 5
Play capacity (users)	6
Color options	



The village house evokes the play urge in all children with its curved roof, open desks and nice bench inside. The dramatic play scenarios of the house know no limits: there is room for many hours of continued role play that children will return to again and again. The counter will function as shop window as well as a bench in the children's dramatic play. The bench inside

will stimulate breaks and function as table, too. The romantic village windows function as extra decoration to inspire play. When children engage in dramatic play they not only train their imagination and empathy, they also play out everyday scenarios that they might have a hard time understanding, thus negotiating their life observations. While doing so, they constantly

talk and communicate with their peers, thus greatly stimulating language and thinking skills.



Village Shop

NRO404



Theme

Cognitive: suggests a theme and supports dramatic play, which stimulates language and communication skills.



Window

Social-Emotional: invites interaction between sides and cooperative play.



House with bench

Social-Emotional: the house with the bench invites socializing and cooperation.

Cognitive: suggests a theme and supports dramatic play, which stimulates language and communication skills.



Desk

Social-Emotional: great meeting place and space creator for storing or sitting.

Village Shop

NRO404



All Organic Robinia products by KOMPAN are made of Robinia wood from sustainable European sources. On request it can be supplied as FSC® Certified (FSC® C004450).

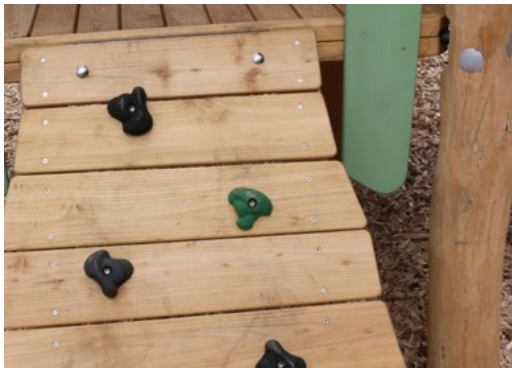


The paint used for colored components is water based environmental friendly with excellent UV resistance. The paint is in compliance with EN 71 Part 3.



The Robinia products are designed with a KOMPAN color concept with a number of different standard colors. The wood can also be supplied as untreated or with brown painted with a pigment that maintains the wood color.

Item no. NRO404-0621	
Installation Information	
Max. fall height	0'0"
Safety surfacing area	0ft ²
Total installation time	10.5
Excavation volume	0.22yd ³
Concrete volume	0yd ³
Footing depth (standard)	2'0"
Shipment weight	1249lbs
Anchoring options	In-ground ✓ Surface ✓
Warranty Information	
Robinia Wood	10 Years
Ropes & nets	10 Years
Spare Parts Availability	10 Years



The product/activities are preassembled from the factory to ensure all safety requirements are considered.



The hardware is made of stainless steel or galvanized steel to ensure durable connections with a high corrosion resistance.

Elevated activities 0	Accessible elevated activities	Accessible ground level activities	Accessible ground level play types
Present	0	1	1
Required	0	1	1

**ASTM
F1487**
compliant

Sustainability Data

NRO404



Cradle to Gate A1-A3	Total CO ₂ emission	CO ₂ e/kg	Recycled materials
	kg CO ₂ e	kg CO ₂ e/kg	%
NRO404-0621	121.48	0.23	1.94

The overall framework applied for these factors is the Environmental Product Declaration (EPD), which quantifies "environmental information on the life cycle of a product and enable comparisons between products fulfilling the same function" (ISO, 2006). This follows the structure and applies a Life-Cycle Assessment approach to the entire Product stage from raw material through manufacturing (A1-A3))

Kompan A/S
 C.F. Tietgens Boulevard 32C
 DK-5220 Odense SØ
 Denmark



Verification of CO₂ calculation of: Nature play



Data version no. 2023-10-05

The CO₂ calculation and data are in compliance with the principles of a carbon footprint impact according to the GHG protocol (Greenhouse Gas Protocol), Scope 3, cradle to gate related to all individual components in the product category: "Nature play" represented by item no.: NRO409-0621.

(Scope 3 emissions include emission sources in the upstream and downstream value chain).

Date: 30. October 2023 | Valid until: 30. October 2025

Verified by:

Julie Marie Vejsgaard Larsen, LCA & EPD Consultant

Verification based on report: Validation of CO₂ calculation of 9 categories of Kompan product line, version 1.0, prepared by: Bureau Veritas HSE, Denmark: Julie M. V. Larsen.

Publication date: 30. October 2023

By Bureau Veritas HSE
 www.bureauveritas.dk
 +45 7731 1000

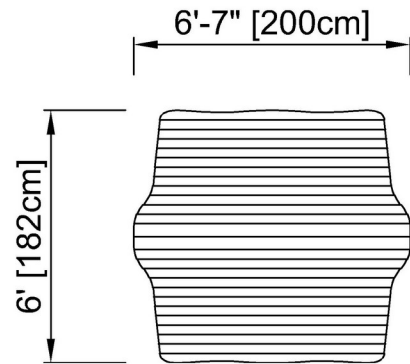


Village Shop

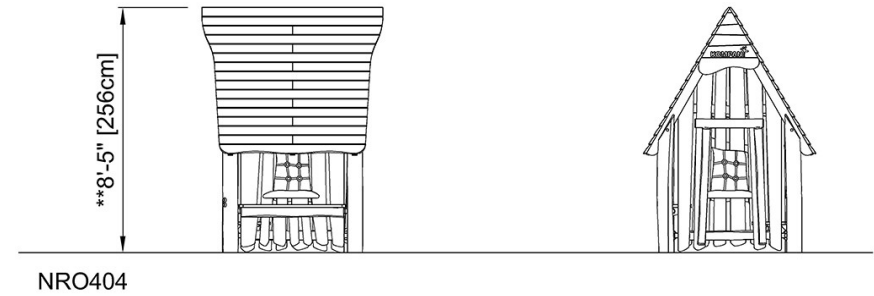
NRO404

* Max fall height | ** Total height | *** Safety surfacing area

* Max fall height | ** Total height



NRO404
** 8'-5" / 256cm



[Click to see TOP VIEW](#)

[Click to see SIDE VIEW](#)