

Lower Back Bench Pro

FAZ607

KOMPAN
Let's play



产品编号 FAZ60700-0001

产品信息概览

长宽高尺寸	73x105x89 cm
适用年龄段	13+
容纳人数	1
颜色选择	



查看 KOMPAN Fit 健身应用程序了解更多信息

由于脚部、小腿和大腿的支撑具有适应性，Bench 有助于进行各种形式的背部伸展练习，从而增强臀部伸展肌、下背部和上背部肌肉的力量。Bench 和力量训练器的组合可以对所有主要肌肉群进行简单、安全和有效的力量训练，可以提高日常运动能力，尤其是对老年人的日常运动能力、运动表现、身体姿势和新陈代谢能力有益。

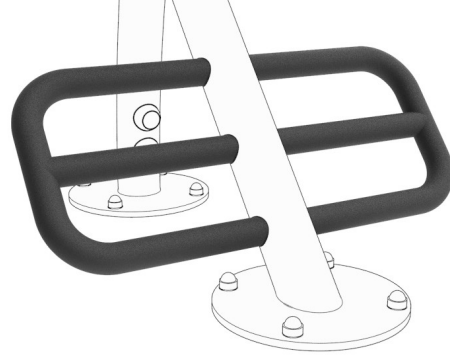


Lower Back Bench Pro

FAZ607



The distance between the two handles is 667mm. The handles make it easier for the user to get on and of the equipment and allow alternative exercises like dips.



The Bench has 3 footrest positions to fit users of all sizes and to vary exercises.



The Grip Powdercoating, used on the support handle, is highly durable against wear and tear, offers isolation, and simultaneously gives users an outstanding grip during their workout.

产品编号 FAZ60700-0001

安装信息

最大跌落高度	89 cm
安全面积	13.2 m ²
安装总时长	3.4
开挖量	0.00 m ³
混凝土使用量	0.00 m ³
标准入地深度	0 cm
运输重量	93 kg
固定选项	地表 ✓

质保信息

镀锌钢结构	终身质保
PUR 部件	10 年
承保零部件	10 年



The rotating rollers are Ø 110mm and made from PUR (Polyurethane Rubber, compact foam). The rollers have a steel insert that is electro galvanized. They provide support and ensure a comfortable position.



All Steel components are made from carbon steel, with a hot-dip galvanized surface according to ISO1461, and a powder coating corrosion class C3 according to ISO12944-2. Lead content for surfaces is below 90ppm, and below 100ppm for base material.



所有的 KOMPAN 健身产品都符合 ASTM F3101 & EN16630 户外健身标准。静态测试通过在 78 公斤的指定负载上增加动态因素和安全因素。设备为单人提供 420 公斤的承载力。



Sustainability Data

FAZ607



从原材料到成品

CO₂ 排放总量

kg CO₂e

CO₂ 排放量 / 千克

kg CO₂e/kg

回收的原料

%

FAZ60700-0001

150.53

3.15

40.00

这些因素采用的总体框架为环保产品声明 (EPD), 该声明可量化“产品生命周期的环保信息, 并对相同功能的产品进行对比”(ISO, 2006)。在遵循该框架的同时, 对从原材料到制造的整个产品阶段 (A1-A3) 应用生命周期评估法。

KOMPAN
Let's play

Kompan A/S

C.F. Tietgens Boulevard 32C
DK-5220 Odense SØ
Denmark

Validation of CO₂ calculation method
BUREAU VERITAS
HSE Denmark A/S



Verification of CO₂ calculation of: Fitness



Data version no. 2023-10-05

The CO₂ calculation and data are in compliance with the principles of a carbon footprint impact according to the GHG protocol (Greenhouse Gas Protocol), Scope 3, cradle to gate related to all individual components in the product category: "Fitness" represented by item no.: FAZ10100-0900.

(Scope 3 emissions include emission sources in the upstream and downstream value chain).

Date: 30. October 2023 | Valid until: 30. October 2025

Verified by:

Julie Marie Vejsgaard Larsen, LCA & EPD Consultant

Verification based on report: Validation of CO₂ calculation of 9 categories of Kompan product line, version 1.0, prepared by: Bureau Veritas HSE, Denmark: Julie M. V. Larsen.

Publication date: 30. October 2023

By Bureau Veritas HSE
www.bureauveritas.dk
+45 7731 1000

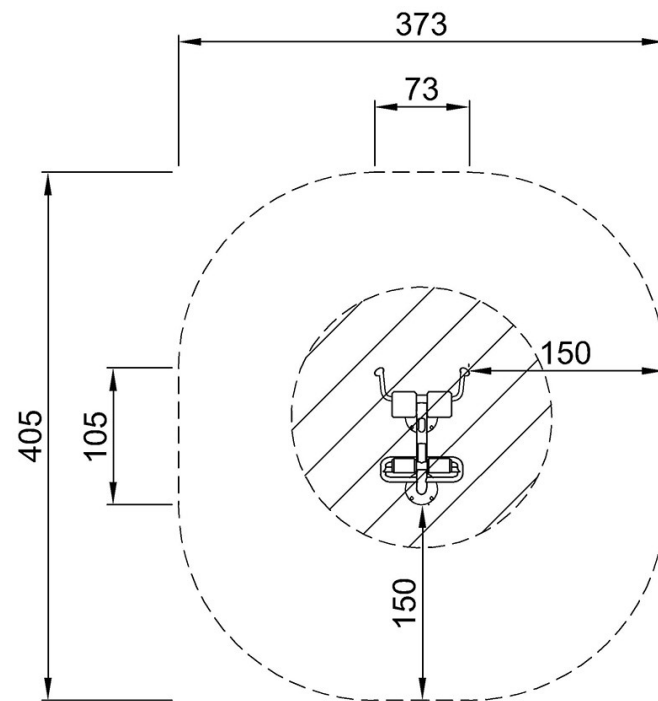


Lower Back Bench Pro

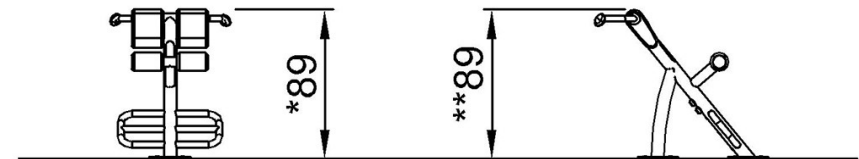
FAZ607

最大跌落高度 | 总高度 | 安全区域

最大跌落高度 | 总高度



FAZ60700
*89cm
**89cm
***13.2m²



FAZ60700

[点击查看俯视图](#)

[点击查看侧面图](#)