

Stepping Pod, Ground Level

M87401



Item no. M87401-3617

General Product Information

Dimensions LxWxH	28x28x10 cm
Age group	3+
Play capacity (users)	1
Colour options	●



The Stepping Pods provide a great amount of fun. The stepping pods make it possible to jump to and from the various play equipment structures. While jumping from one Stepping Pod to the next, the child's sense of balance is trained. Furthermore, the Stepp



Stepping Pod, Ground Level

M87401



Sturdy rubber surface

Physical: makes for a skid-resistant surface for jumping up and down, training muscle and motor skills and building bone density.



Stepping pod

Physical: young children learn how to alternate feet and balance. These are important for the proprioceptive and vestibular systems that help children navigate the world securely. Jumping down builds bone density and muscles.

Stepping Pod, Ground Level

M87401



Stepping point is made of SBR rubber. It has good heat and abrasion resistance.

Item no. M87401-3617	
Installation Information	
Max. fall height	10 cm
Safety surfacing area	8.4 m ²
Total installation time	0.4
Excavation volume	0.08 m ³
Concrete volume	0.03 m ³
Footing depth (standard)	60 cm
Shipment weight	17 kg
Anchoring options	In-ground ✓ Surface ✓
Warranty Information	
Hot dip galvanised steel	Lifetime
SBR rubber	2 years
Spare parts guaranteed	10 years



Sustainability Data

M87401



Cradle to Gate A1-A3	Total CO ₂ emission	CO ₂ e/kg	Recycled materials
	kg CO ₂ e	kg CO ₂ e/kg	%
M87401-3617	37.29	2.18	19.99

The overall framework applied for these factors is the Environmental Product Declaration (EPD), which quantifies "environmental information on the life cycle of a product and enable comparisons between products fulfilling the same function" (ISO, 2006). This follows the structure and applies a Life-Cycle Assessment approach to the entire Product stage from raw material through manufacturing (A1-A3))

Kompan A/S
C.F. Tietgens Boulevard 32C
DK-5220 Odense SØ
Denmark



Verification of CO₂ calculation of: Freestanding play equipment



Data version no. 2023-10-05

The CO₂ calculation and data are in compliance with the principles of a carbon footprint impact according to the GHG protocol (Greenhouse Gas Protocol), Scope 3, cradle to gate related to all individual components in the product category: "Freestanding play equipment" represented by item no.: GXY916012-3417.

(Scope 3 emissions include emission sources in the upstream and downstream value chain).

Date: 30. October 2023 | Valid until: 30. October 2025

Verified by:

Julie Marie Vejsgaard Larsen, LCA & EPD Consultant

Verification based on report: Validation of CO₂ calculation of 9 categories of Kompan product line, version 1.0, prepared by: Bureau Veritas HSE, Denmark: Julie M. V. Larsen.

Publication date: 30. October 2023

By Bureau Veritas HSE
www.bureauveritas.dk
+45 7731 1000

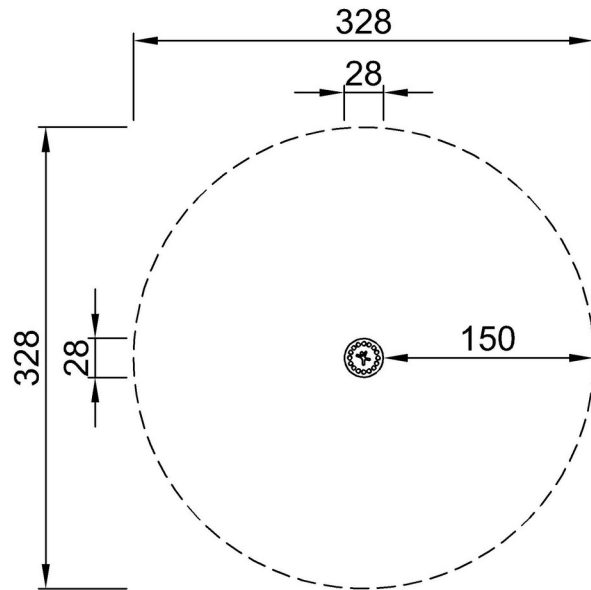


Stepping Pod, Ground Level

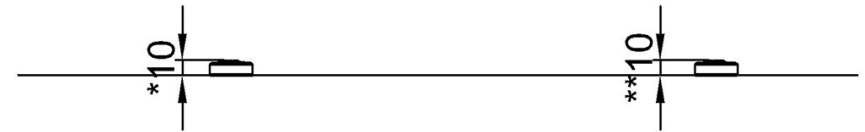
M87401

* Max fall height | ** Total height | *** Safety surfacing area

* Max fall height | ** Total height



M87401
*10cm
**10cm
***8.4m²



M87401

[Click to see TOP VIEW](#)

[Click to see SIDE VIEW](#)