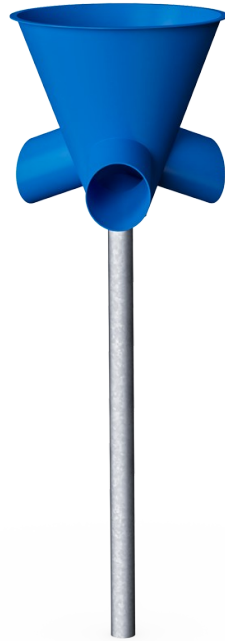


# Surprise Basket

FRE3024



Item no. FRE3024-3717

## General Product Information

Dimensions LxWxH	102x102x305 cm
Age group	3+
Play capacity (users)	-
Colour options	



Ball games are unpredictable. Kids like that a lot. You never know if you going to win or lose. The elevated funnel with three tube exits for the basket ball is a popular ball game activity that works well with both few or many participants. Further it trains the ability to lift and throw a ball up into the funnel.



# Surprise Basket

FRE3024



The steel surfaces are hot dip galvanised inside and outside with lead free zinc. The galvanisation has excellent corrosion resistance in outside environments and requires low maintenance.

Item no. FRE3024-3717

### Installation Information

Max. fall height	0 cm
Safety surfacing area	12.7 m <sup>2</sup>
Total installation time	1.0
Excavation volume	0.23 m <sup>3</sup>
Concrete volume	0.13 m <sup>3</sup>
Footing depth (standard)	91 cm
Shipment weight	59 kg
Anchoring options	In-ground ✓

### Warranty Information

HDG post	Lifetime
Solid plastic parts	10 years
Spare parts guaranteed	10 years



# Sustainability Data

FRE3024



Cradle to Gate A1-A3	Total CO <sub>2</sub> emission	CO <sub>2</sub> e/kg	Recycled materials
	kg CO <sub>2</sub> e	kg CO <sub>2</sub> e/kg	%
<b>FRE3024-3717</b>	129.90	2.29	28.61

The overall framework applied for these factors is the Environmental Product Declaration (EPD), which quantifies "environmental information on the life cycle of a product and enable comparisons between products fulfilling the same function" (ISO, 2006). This follows the structure and applies a Life-Cycle Assessment approach to the entire Product stage from raw material through manufacturing (A1-A3))

**Kompan A/S**  
 C.F. Tietgens Boulevard 32C  
 DK-5220 Odense SØ  
 Denmark



## Verification of CO<sub>2</sub> calculation of: Sport



Data version no. 2023-10-05

The CO<sub>2</sub> calculation and data are in compliance with the principles of a carbon footprint impact according to the GHG protocol (Greenhouse Gas Protocol), Scope 3, cradle to gate related to all individual components in the product category: "Sport" represented by item no.: FRE600202-0901.

(Scope 3 emissions include emission sources in the upstream and downstream value chain).

**Date: 30. October 2023 | Valid until: 30. October 2025**

Verified by:

Julie Marie Vejsgaard Larsen, LCA & EPD Consultant

Verification based on report: Validation of CO<sub>2</sub> calculation of 9 categories of Kompan product line, version 1.0, prepared by: Bureau Veritas HSE, Denmark: Julie M. V. Larsen.

**Publication date: 30. October 2023**

By Bureau Veritas HSE  
 www.bureauveritas.dk  
 +45 7731 1000

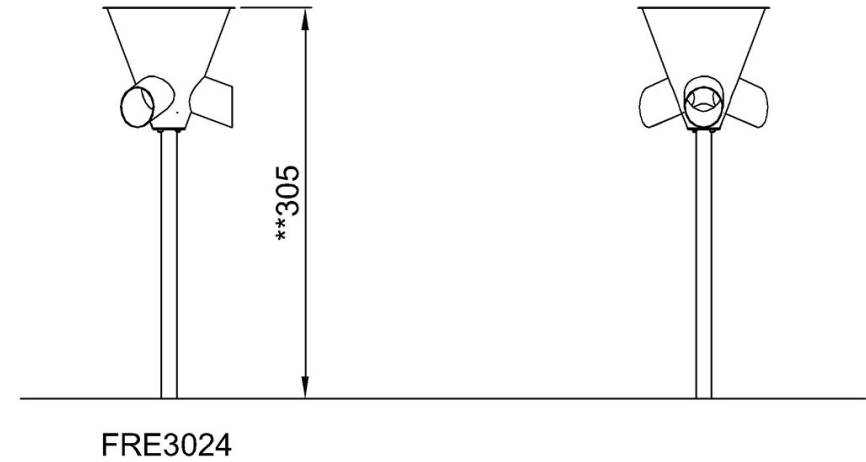
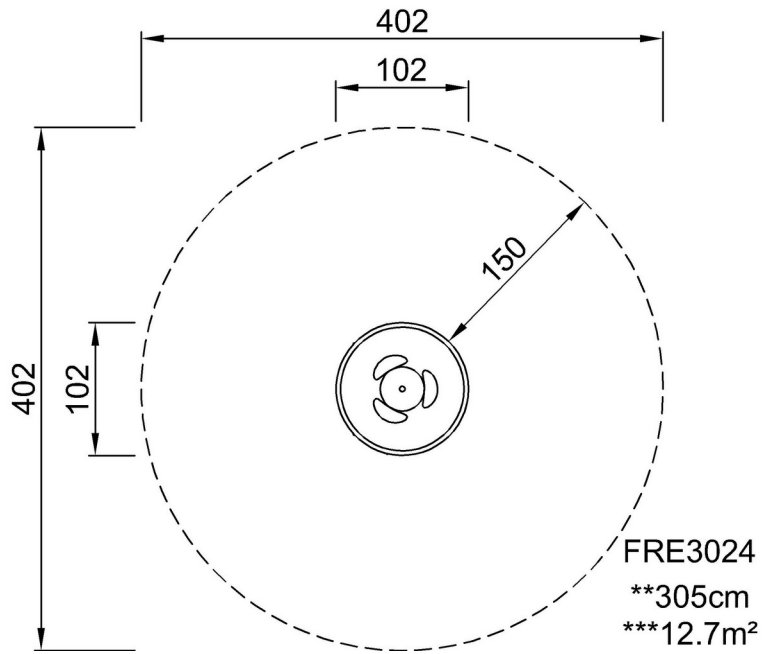


# Surprise Basket

FRE3024

\* Max fall height | \*\* Total height | \*\*\* Safety surfacing area

\* Max fall height | \*\* Total height



[Click to see TOP VIEW](#)

[Click to see SIDE VIEW](#)