

# Village Shop

NRO404



Item no. NRO404-0621

## General Product Information

Dimensions LxWxH	200x182x256 cm
Age group	6m+
Play capacity (users)	6
Color options	



The village house evokes the play urge in all children with its curved roof, open desks and nice bench inside. There are no limits to the dramatic play scenarios of the house with room for many hours of continued role play that children will return to again and again. The counter can function as shop window as well as bench. The bench inside will stimulate

breaks and can function as table. The windows function as extra decoration to inspire role play. When children do dramatic play they not only use their imagination and empathy, they also play out everyday scenarios that they have a hard time understanding, thus negotiating through their life observations. While doing so, they constantly talk and communicate with their

peers, hugely stimulating language and thinking skills.



Data is subject to change without prior notice.

# Village Shop

NRO404



All Organic Robinia products by KOMPAN are made of Robinia wood from sustainable European sources. On request it can be supplied as FSC® Certified (FSC® C004450).



The paint used for coloured components is water based environmental friendly with excellent UV resistance. The paint is in compliance with EN 71 Part 3.

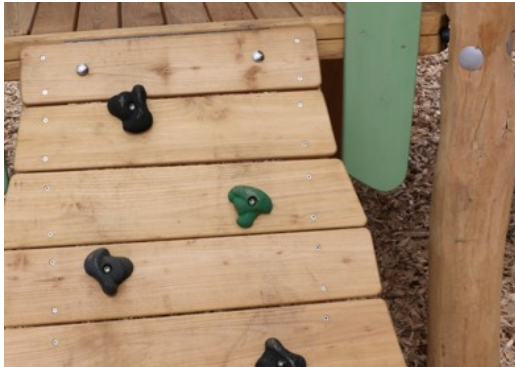


The Robinia products are designed with a KOMPAN colour concept with a number of different standard colours. The wood can also be supplied as untreated or with brown painted with a pigment that maintains the wood colour.

Item no. NRO404-0621

### Installation Information

Max. fall height	0 cm
Safety surfacing area	19.3 m <sup>2</sup>
Total installation time	10.5
Excavation volume	0.17 m <sup>3</sup>
Concrete volume	0.00 m <sup>3</sup>
Footing depth (standard)	60 cm
Shipment weight	607 kg
Anchoring options	In-ground ✓ Surface ✓



The product/activities are preassembled from the factory to ensure all safety requirements are considered.



The hardware is made of stainless steel or galvanised steel to ensure durable connections with a high corrosion resistance.



# Sustainability Data

NRO404



Cradle to Gate A1-A3	Total CO <sub>2</sub> emission	CO <sub>2</sub> e/kg	Recycled materials
	kg CO <sub>2</sub> e	kg CO <sub>2</sub> e/kg	%
<b>NRO404-0621</b>	112.60	0.22	1.60

The overall framework applied for these factors is the Environmental Product Declaration (EPD), which quantifies "environmental information on the life cycle of a product and enable comparisons between products fulfilling the same function" (ISO, 2006). This follows the structure and applies a Life-Cycle Assessment approach to the entire Product stage from raw material through manufacturing (A1-A3))

**Kompan A/S**  
 C.F. Tietgens Boulevard 32C  
 DK-5220 Odense SØ  
 Denmark



## Verification of CO<sub>2</sub> calculation of: Nature play



Data version no. 2023-10-05

The CO<sub>2</sub> calculation and data are in compliance with the principles of a carbon footprint impact according to the GHG protocol (Greenhouse Gas Protocol), Scope 3, cradle to gate related to all individual components in the product category: "Nature play" represented by item no.: NRO409-0621.

(Scope 3 emissions include emission sources in the upstream and downstream value chain).

**Date: 30. October 2023 | Valid until: 30. October 2025**

**Verified by:**

Julie Marie Vejsgaard Larsen, LCA & EPD Consultant

Verification based on report: Validation of CO<sub>2</sub> calculation of 9 categories of Kompan product line, version 1.0, prepared by: Bureau Veritas HSE, Denmark: Julie M. V. Larsen.

**Publication date: 30. October 2023**

**By Bureau Veritas HSE**  
 www.bureauveritas.dk  
 +45 7731 1000

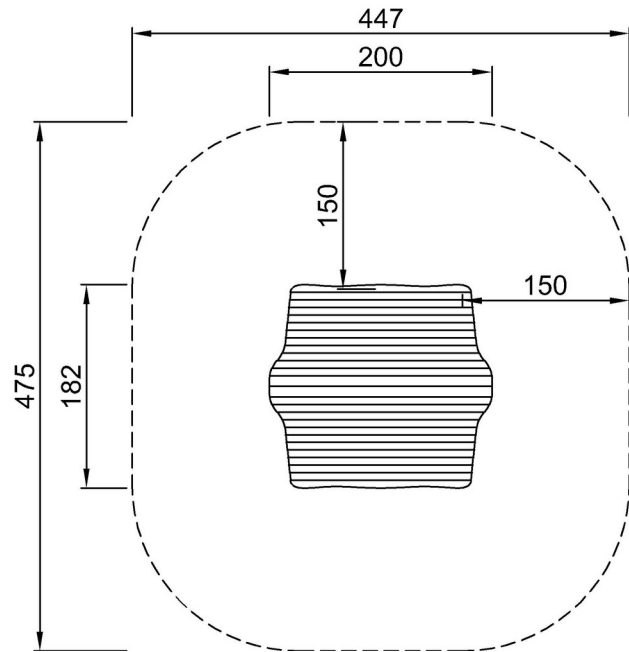


# Village Shop

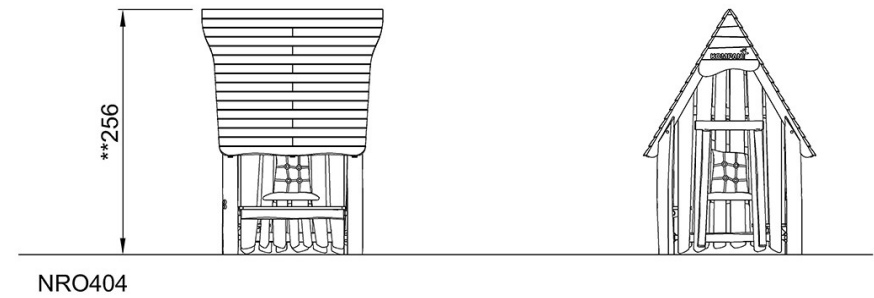
NRO404

\* Max fall height | \*\* Total height | \*\*\* Safety surfacing area

\* Max fall height | \*\* Total height



NRO404  
\*\*256cm  
\*\*\*19.3m<sup>2</sup>



[Click to see TOP VIEW](#)

[Click to see SIDE VIEW](#)