


# Double Overhead Ladder Robinia

FRO213



Item no. FRO21300-1001	
<b>General Product Information</b>	
Dimensions LxWxH	451x126x261 cm
Age group	13+
Play capacity (users)	4
Colour options	



See KOMPAN Fit app for more



The overhead ladder, also known as the monkey bar, may be the most well-known of all obstacle course elements. The goal is to get to the other side without using your feet. Training upper body strength and cross-body coordination. This overhead ladder is wide and high to ensure anyone can hang and move freely. To make sure that everyone can reach

the overhead ladder there are 4 stepping pods at different heights. As a stand-alone item, the Double Overhead Ladder is great to work in the group workout. It offers space for 8 people to perform pull-up exercises or to attach suspension trainers for a full-body workout. The Robinia bars are made from de-barked and sap-free Robinia trunks in various

dimensions. Robinia is a native European wood species with high strength and natural durability in various climatic conditions. KOMPAN uses wood from FSC-certified sources.

# Double Overhead Ladder Robinia

FRO213



All organic Robinia products by KOMPAN are made of Robinia wood which is sourced from sustainable plantation farms. On request it can be supplied as FSC® Certified (FSC® C004450).



The Robinia wood can be supplied as untreated raw wood or painted with a brown coloured transparent pigment that maintains the golden wood colour of the wood.



All of KOMPAN's fitness products are compliant with AS 4685:2021, ASTM F3101 & EN16630 Outdoor Fitness Standards. Load tests are performed to the specified load of 78kg per user. A product intended for one user is loaded with 420kg.

Item no. FRO21300-1001	
Installation Information	
Max. fall height	133 cm
Safety surfacing area	28.3 m <sup>2</sup>
Total installation time	7.8
Excavation volume	1.18 m <sup>3</sup>
Concrete volume	0.35 m <sup>3</sup>
Footing depth (standard)	100 cm
Shipment weight	547 kg
Anchoring options	In-ground ✓ Surface ✓
Warranty Information	
Galvanised Steel	Lifetime
Robinia Wood	15 years
Spare Parts Guarantee	10 years



# Sustainability Data

FRO213



Cradle to Gate A1-A3	Total CO <sub>2</sub> emission	CO <sub>2</sub> e/kg	Recycled materials
	kg CO <sub>2</sub> e	kg CO <sub>2</sub> e/kg	%
<b>FRO21300-1001</b>	195.79	0.48	7.45

The overall framework applied for these factors is the Environmental Product Declaration (EPD), which quantifies "environmental information on the life cycle of a product and enable comparisons between products fulfilling the same function" (ISO, 2006). This follows the structure and applies a Life-Cycle Assessment approach to the entire Product stage from raw material through manufacturing (A1-A3))

**Kompan A/S**  
 C.F. Tietgens Boulevard 32C  
 DK-5220 Odense SØ  
 Denmark



## Verification of CO<sub>2</sub> calculation of: Fitness



Data version no. 2023-10-05

The CO<sub>2</sub> calculation and data are in compliance with the principles of a carbon footprint impact according to the GHG protocol (Greenhouse Gas Protocol), Scope 3, cradle to gate related to all individual components in the product category: "Fitness" represented by item no.: FAZ10100-0900.

(Scope 3 emissions include emission sources in the upstream and downstream value chain).

**Date: 30. October 2023 | Valid until: 30. October 2025**

Verified by:

Julie Marie Vejsgaard Larsen, LCA & EPD Consultant

Verification based on report: Validation of CO<sub>2</sub> calculation of 9 categories of Kompan product line, version 1.0, prepared by: Bureau Veritas HSE, Denmark: Julie M. V. Larsen.

**Publication date: 30. October 2023**

By Bureau Veritas HSE  
 www.bureauveritas.dk  
 +45 7731 1000

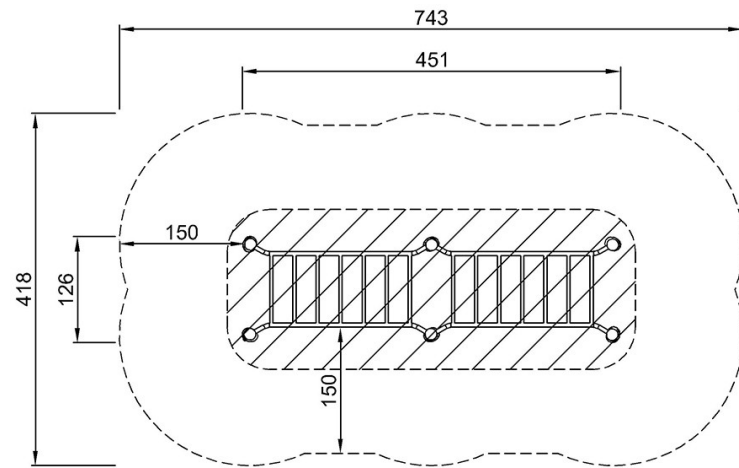


# Double Overhead Ladder Robinia

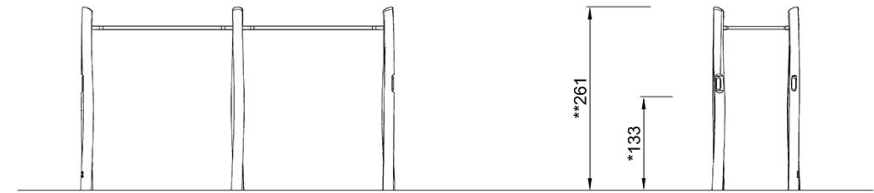
FRO213

\* Max fall height | \*\* Total height | \*\*\* Safety surfacing area

\* Max fall height | \*\* Total height



FRO21300  
\*133cm  
\*\*261cm  
\*\*\*28.3m<sup>2</sup>



FRO21300

[Click to see TOP VIEW](#)

[Click to see SIDE VIEW](#)