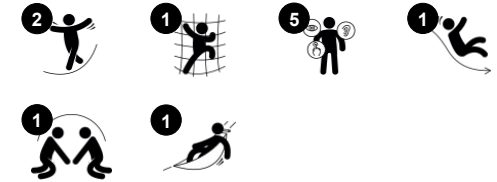


Freestanding Slide, 2.4m high

COR66920



| | |
|------------------------------------|----------------|
| Item no. COR669201-1101 | |
| General Product Information | |
| Dimensions LxWxH | 739x152x320 cm |
| Age group | 5+ |
| Play capacity (users) | 4 |
| Colour options | |



The sturdy 3 meter freestanding slide will inspire children who are eager to play. The pleasing design adds beauty to the playground while also offering challenging climbing along with a thrilling slide down to the ground as a reward. Because the climb is a challenge and the slide is fast and fun, children will want to play over and over again. This helps to

encourage more physical play on the playground, which strengthens skills such as agility and cross-coordination. Sliding on the slide encourages a sense of balance and posture, in addition to the thrill of taking a risk in a safe environment, which is important for psychological health, resilience and wellbeing. The high capacity of this slide also supports

social skills such as turn-taking and empathy, as children help each other to be successful in the climb and slide.

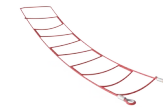
Freestanding Slide, 2.4m high

COR66920



Slide

Physical: develops spatial awareness, sense of balance and trains core muscles when sitting upright going down. **Social-Emotional:** empathy stimulated by turn-taking.



Waggle bridge

Physical: sense of balance and training of cross coordination. Important for other skills such as being able to sit still. **Social-Emotional:** turn-taking and helping others when climbing up.

Freestanding Slide, 2.4m high

COR66920



Corocord ropes with 19mm+ diameter are known as a 'Hercules' rope type which is formed from galvanised six-stranded steel wires. Each strand is tightly wrapped with PES yarn, which is melted onto each individual strand. Ropes are highly wear-and vandalism-resistant and can be easily replaced on-site if needed.

Designed to allow the typical function of rope play structures to move Corocord 'S' clamps are used as universal connections in Corocord products. 8mm stainless steel rods with rounded edges are pressed around the ropes with a special hydraulic press, making them the ideal connector. Our clamps are safe, durable and vandalism-proof.

The steel structures are hot-dip galvanised inside and outside with lead free zinc. The galvanisation has excellent corrosion resistance and requires low maintenance.



The stainless steel components are made of high-quality stainless steel in compliance with global playground standards. The steel is glass blasted after manufacturing to ensure a smooth gliding surface.

You can choose between seven rope colours to create a customised solution for your playscape. Colours options range from elegant and expressive black or natural and toned-down hemp colour to attractive and eye-catching signal colours.

| Item no. COR669201-1101 | |
|--------------------------|---------------------|
| Installation Information | |
| Max. fall height | 250 cm |
| Safety surfacing area | 43.6 m ² |
| Total installation time | 9.5 |
| Excavation volume | 4.63 m ³ |
| Concrete volume | 2.95 m ³ |
| Footing depth (standard) | 110 cm |
| Shipment weight | 575 kg |
| Anchoring options | In-ground ✓ |
| Warranty Information | |
| Corocord (Hercules) Rope | 10 years |
| Galvanised Steel | Lifetime |
| S-Clamps | 10 years |
| Spare Parts Guarantee | 10 years |



Sustainability Data

COR66920



| Cradle to Gate A1-A3 | Total CO ₂ emission | CO ₂ e/kg | Recycled materials |
|-----------------------|--------------------------------|-------------------------|--------------------|
| | kg CO ₂ e | kg CO ₂ e/kg | % |
| COR669201-1101 | 1,170.09 | 3.12 | 50.59 |

The overall framework applied for these factors is the Environmental Product Declaration (EPD), which quantifies "environmental information on the life cycle of a product and enable comparisons between products fulfilling the same function" (ISO, 2006). This follows the structure and applies a Life-Cycle Assessment approach to the entire Product stage from raw material through manufacturing (A1-A3))

Kompan A/S
 C.F. Tietgens Boulevard 32C
 DK-5220 Odense SØ
 Denmark



Verification of CO₂ calculation of: Corocord



Data version no. 2023-10-05

The CO₂ calculation and data are in compliance with the principles of a carbon footprint impact according to the GHG protocol (Greenhouse Gas Protocol), Scope 3, cradle to gate related to all individual components in the product category: "Corocord" represented by item no.: COR314011-1101.

(Scope 3 emissions include emission sources in the upstream and downstream value chain).

Date: 30. October 2023 | Valid until: 30. October 2025

Verified by:

Julie Marie Vejsgaard Larsen, LCA & EPD Consultant

Verification based on report: Validation of CO₂ calculation of 9 categories of Kompan product line, version 1.0, prepared by: Bureau Veritas HSE, Denmark: Julie M. V. Larsen.

Publication date: 30. October 2023

By Bureau Veritas HSE
 www.bureauveritas.dk
 +45 7731 1000

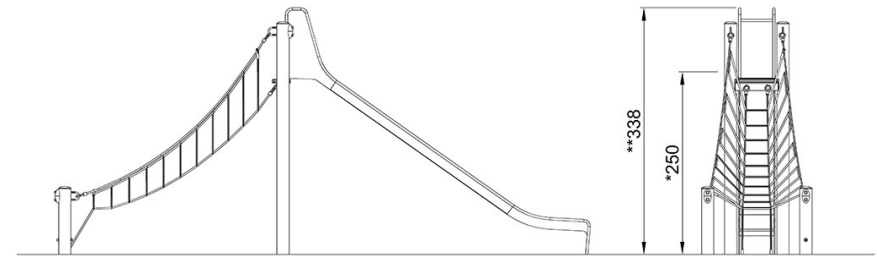
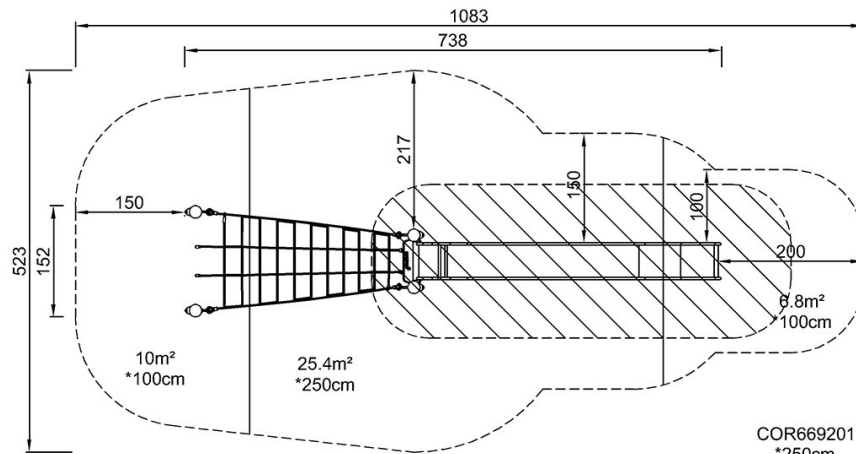


Freestanding Slide, 2.4m high

COR66920

* Max fall height | ** Total height | *** Safety surfacing area

* Max fall height | ** Total height



[Click to see TOP VIEW](#)

[Click to see SIDE VIEW](#)