

# Stepping Pod, 600mm

M87403



Item no. M87403-3617

## General Product Information

Dimensions LxWxH	28x28x59 cm
Age group	3+
Play capacity (users)	1
Color options	●



The Stepping Pod, 600 mm appeals to children with the simple play message of The Earth is Lava. Placing more Stepping Pods, in various heights, adds to attraction. It invites jumping or balancing from one to the next. As an individual Stepping Pod, it can function as a sturdy seat and invite a break from play. The Stepping Pod invites less confident balancing acrobats also,

thanks to its sturdy rubber surface. When jumping up on and down from the Stepping Pod, children train their sense of balance. Balance is fundamental in confidently managing the body in its surroundings. This is important for instance when navigating street traffic safely. When jumping down, children additionally builds bone density, as this is a

build up in weight bearing activity on a hard surface.



Data is subject to change without prior notice.

# Stepping Pod, 600mm

M87403



Stepping point is made of SBR rubber. It has good heat and abrasion resistance.



The steel surfaces are hot dip galvanised inside and outside with lead free zinc. The galvanisation has excellent corrosion resistance in outside environments and requires low maintenance.

Item no. M87403-3617

## Installation Information

Max. fall height	59 cm
Safety surfacing area	8.4 m <sup>2</sup>
Total installation time	0.5
Excavation volume	0.10 m <sup>3</sup>
Concrete volume	0.03 m <sup>3</sup>
Footing depth (standard)	80 cm
Shipment weight	21 kg
Anchoring options	In-ground ✓ Surface ✓



# Sustainability Data

M87403



Cradle to Gate A1-A3	Total CO <sub>2</sub> emission	CO <sub>2</sub> e/kg	Recycled materials
	kg CO <sub>2</sub> e	kg CO <sub>2</sub> e/kg	%
<b>M87403-3617</b>	46.30	2.25	25.10

The overall framework applied for these factors is the Environmental Product Declaration (EPD), which quantifies "environmental information on the life cycle of a product and enable comparisons between products fulfilling the same function" (ISO, 2006). This follows the structure and applies a Life-Cycle Assessment approach to the entire Product stage from raw material through manufacturing (A1-A3))

**Kompan A/S**  
 C.F. Tietgens Boulevard 32C  
 DK-5220 Odense SØ  
 Denmark



## Verification of CO<sub>2</sub> calculation of: Freestanding play equipment



Data version no. 2023-10-05

The CO<sub>2</sub> calculation and data are in compliance with the principles of a carbon footprint impact according to the GHG protocol (Greenhouse Gas Protocol), Scope 3, cradle to gate related to all individual components in the product category: "Freestanding play equipment" represented by item no.: GXY916012-3417.

(Scope 3 emissions include emission sources in the upstream and downstream value chain).

**Date: 30. October 2023 | Valid until: 30. October 2025**

Verified by:

Julie Marie Vejsgaard Larsen, LCA & EPD Consultant

Verification based on report: Validation of CO<sub>2</sub> calculation of 9 categories of Kompan product line, version 1.0, prepared by: Bureau Veritas HSE, Denmark: Julie M. V. Larsen.

**Publication date: 30. October 2023**

By Bureau Veritas HSE  
 www.bureauveritas.dk  
 +45 7731 1000

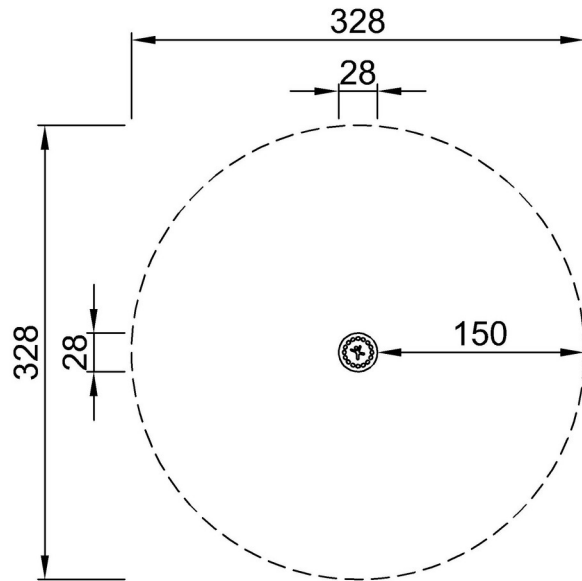


# Stepping Pod, 600mm

M87403

\* Max fall height | \*\* Total height | \*\*\* Safety surfacing area

\* Max fall height | \*\* Total height



M87403

M87403  
\*59cm  
\*\*59cm  
\*\*\*8.4m<sup>2</sup>

[Click to see TOP VIEW](#)

[Click to see SIDE VIEW](#)