


# Oasis Sandworks

NRO533



Item no. NRO533-1021	
General Product Information	
Dimensions LxWxH	10'10"x7'4"x9'9"
Age group	2 - 5
Play capacity (users)	12
Color options	



The Oasis Sandworks is an immensely attractive sand play unit that will engage children in play for hours and hours. The crane is worked horizontally as well as vertically either by turning the grey plate or pulling the chain. The sand bucket will go up or down when pulling the chain and stay put when the chain is let go. This, in addition to providing

fascinating sand play, is great training of children's logical thinking skills. The negotiation and cooperation of moving the sand, develops social-emotional skills. The sand table's sieve and tube lead sand away, training young children's understanding of object permanence: that things can still exist when out of sight. The sand wheel and shovel adds a quieter sand

play corner. The platform is open and can be accessed in multiple ways, allowing for all users to play.

# Oasis Sandworks

NRO533



## Sand crane

**Physical:** hoisting the basket up and down trains arm muscles and dexterity. **Social-Emotional:** cooperating with others as in receiving the bucket trains cooperation skills. **Cognitive:** understanding the mechanism of the chains hoisting buckets up and down supports logical thinking skills. **Creative:** working with moveable play items that can leave a mark supports the child's creativity.



## Sand wheel

**Cognitive:** the turning sand wheel stimulates cause and effect understanding.



## Sand desk with funnel

**Social-Emotional:** children can gather and store materials, cooperate and take a break together. **Cognitive:** sand can be shifted through the funnel, for understanding of cause and effect and object permanence: that materials don't vanish but run through at the other end.



## Slope

**Physical:** inclined crawling or walking up or down develops the sense of balance and cross coordination. **Social-Emotional:** the incline makes climbing feel safer, especially for younger children.



## Lower platform

**Physical:** climbing up, jumping down develops muscle and motor skills such as coordination, which are important in navigating your body securely through the world. **Social-Emotional:** children can sit and talk together. The step helps children who need extra height to maneuver the tap and water channel.



## Sand shovel

**Physical:** develops dexterity and upper body muscles. **Cognitive:** understanding of object permanence, emptying and filling scoop.

# Oasis Sandworks

NRO533



All Organic Robinia products by KOMPAN are made of Robinia wood from sustainable European sources. On request it can be supplied as FSC® Certified (FSC® C004450).



The paint used for coloured components is water based environmentally friendly with excellent UV resistance. The paint is in compliance with EN 71 Part 3.



The Robinia products are designed with a KOMPAN color concept with a number of different standard colors. The wood can also be supplied as untreated or with brown painted with a pigment that maintains the wood color.



The product/activities are preassembled from the factory to ensure all safety requirements are considered.

Item no. NRO533-1021	
Installation Information	
Max. fall height	1'7"
Safety surfacing area	319ft <sup>2</sup>
Total installation time	13.5
Excavation volume	0.88yd <sup>3</sup>
Concrete volume	0.13yd <sup>3</sup>
Footing depth (standard)	3'3"
Shipment weight	1198lbs
Anchoring options	In-ground ✓
Warranty Information	
Robinia Wood	10 Years
Ropes & nets	10 Years
Spare Parts Availability	10 Years
Stainless steel components	Lifetime
Stainless steel components	Lifetime

Elevated activities 3	Accessible elevated activities	Accessible ground level activities	Accessible ground level play types
Present	3	2	1
Required	2	2	1

**ASTM  
F1487**  
compliant

# Sustainability Data

NRO533



Cradle to Gate A1-A3	Total CO <sub>2</sub> emission	CO <sub>2</sub> e/kg	Recycled materials
	kg CO <sub>2</sub> e	kg CO <sub>2</sub> e/kg	%
<b>NRO533-1021</b>	233.27	0.50	5.04

The overall framework applied for these factors is the Environmental Product Declaration (EPD), which quantifies "environmental information on the life cycle of a product and enable comparisons between products fulfilling the same function" (ISO, 2006). This follows the structure and applies a Life-Cycle Assessment approach to the entire Product stage from raw material through manufacturing (A1-A3))

**Kompan A/S**  
 C.F. Tietgens Boulevard 32C  
 DK-5220 Odense SØ  
 Denmark



## Verification of CO<sub>2</sub> calculation of: Nature play



Data version no. 2023-10-05

The CO<sub>2</sub> calculation and data are in compliance with the principles of a carbon footprint impact according to the GHG protocol (Greenhouse Gas Protocol), Scope 3, cradle to gate related to all individual components in the product category: "Nature play" represented by item no.: NRO409-0621.

(Scope 3 emissions include emission sources in the upstream and downstream value chain).

**Date: 30. October 2023 | Valid until: 30. October 2025**

Verified by:

Julie Marie Vejsgaard Larsen, LCA & EPD Consultant

Verification based on report: Validation of CO<sub>2</sub> calculation of 9 categories of Kompan product line, version 1.0, prepared by: Bureau Veritas HSE, Denmark: Julie M. V. Larsen.

**Publication date: 30. October 2023**

By Bureau Veritas HSE  
 www.bureauveritas.dk  
 +45 7731 1000

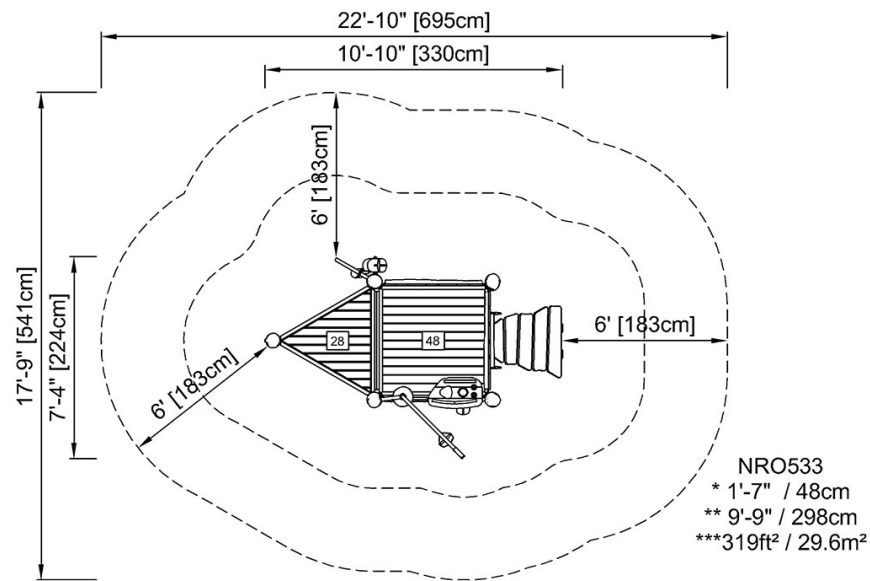


# Oasis Sandworks

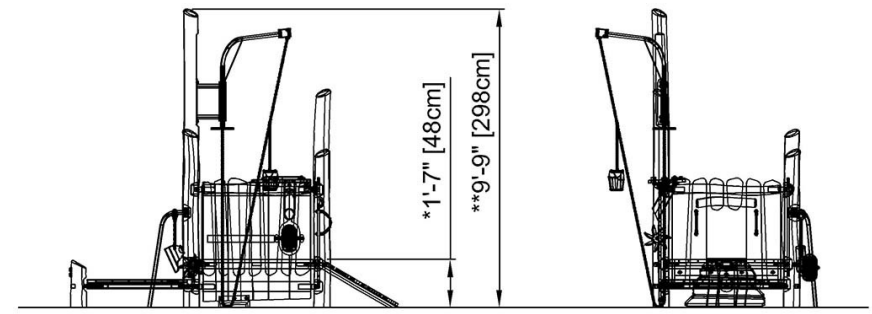
NRO533

\* Max fall height | \*\* Total height | \*\*\* Safety surfacing area

\* Max fall height | \*\* Total height



[Click to see TOP VIEW](#)



[Click to see SIDE VIEW](#)