

# Oasis Gravel Pit


NRO532



The Oasis gravel pit is a hugely attractive play unit that will attract children for hours of construction play. With two sand cranes and sand tables both on ground level and elevated level, the stage is set for cooperative play, stimulating social-emotional skills. The cranes are worked horizontally as well as vertically either by turning the grey plate or pulling the

chain. The sand bucket will stay put when the chain is let go of. This, apart from providing fascinating sand play, is a great training of children's logical thinking skills. The negotiation and cooperation to get sand to and from the sand table develops social-emotional skills. A lower platform with sand scoop allows small children to enjoy dramatic and explorative play.

This stimulates children's language development and cognitive-creative skills as well as their fine motor skills.

Item no. NRO532-1021	
<b>General Product Information</b>	
Dimensions LxWxH	446x348x337 cm
Age group	2+
Play capacity (users)	25
Color options	



Data is subject to change without prior notice.

# Oasis Gravel Pit

NRO532



All Organic Robinia products by KOMPAN are made of Robinia wood from sustainable European sources. On request it can be supplied as FSC® Certified (FSC® C004450).



The paint used for coloured components is water based environmentally friendly with excellent UV resistance. The paint is in compliance with EN 71 Part 3.



The Robinia products are designed with a KOMPAN colour concept with a number of different standard colours. The wood can also be supplied as untreated or with brown painted with a pigment that maintains the wood colour.

Item no. NRO532-1021

## Installation Information

Max. fall height	88 cm
Safety surfacing area	36.9 m <sup>2</sup>
Total installation time	27.2
Excavation volume	0.97 m <sup>3</sup>
Concrete volume	0.19 m <sup>3</sup>
Footing depth (standard)	100 cm
Shipment weight	1,237 kg
Anchoring options	In-ground ✓



The product/activities are preassembled from the factory to ensure all safety requirements are considered.



# Sustainability Data

NRO532



Cradle to Gate A1-A3	Total CO <sub>2</sub> emission	CO <sub>2</sub> e/kg	Recycled materials
	kg CO <sub>2</sub> e	kg CO <sub>2</sub> e/kg	%
<b>NRO532-1021</b>	467.40	0.48	4.90

The overall framework applied for these factors is the Environmental Product Declaration (EPD), which quantifies "environmental information on the life cycle of a product and enable comparisons between products fulfilling the same function" (ISO, 2006). This follows the structure and applies a Life-Cycle Assessment approach to the entire Product stage from raw material through manufacturing (A1-A3))

**Kompan A/S**  
C.F. Tietgens Boulevard 32C  
DK-5220 Odense SØ  
Denmark



## Verification of CO<sub>2</sub> calculation of: Nature play



Data version no. 2023-10-05

The CO<sub>2</sub> calculation and data are in compliance with the principles of a carbon footprint impact according to the GHG protocol (Greenhouse Gas Protocol), Scope 3, cradle to gate related to all individual components in the product category: "Nature play" represented by item no.: NRO409-0621.

(Scope 3 emissions include emission sources in the upstream and downstream value chain).

**Date: 30. October 2023 | Valid until: 30. October 2025**

Verified by:

Julie Marie Vejsgaard Larsen, LCA & EPD Consultant

Verification based on report: Validation of CO<sub>2</sub> calculation of 9 categories of Kompan product line, version 1.0, prepared by: Bureau Veritas HSE, Denmark: Julie M. V. Larsen.

**Publication date: 30. October 2023**

By Bureau Veritas HSE  
www.bureauveritas.dk  
+45 7731 1000

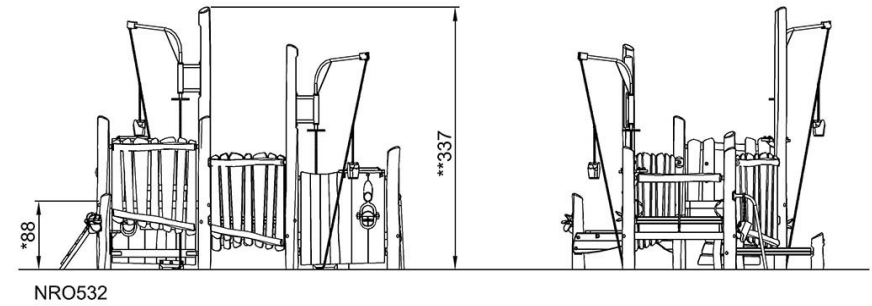
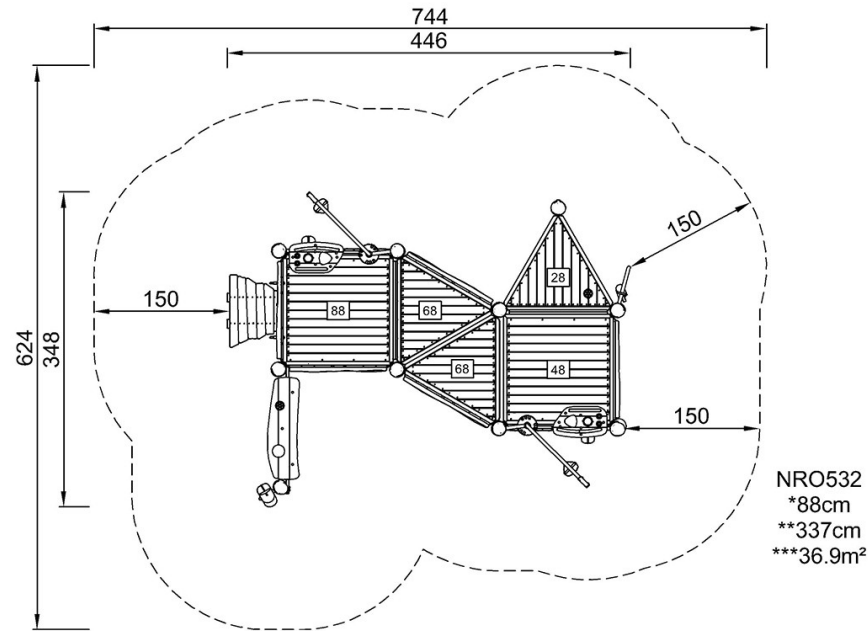


# Oasis Gravel Pit

NRO532

\* Max fall height | \*\* Total height | \*\*\* Safety surfacing area

\* Max fall height | \*\* Total height



[Click to see TOP VIEW](#)

[Click to see SIDE VIEW](#)