


Cableway Start Platform

NRO878



Large elevated square start platform with capacity for many waiting users. The long run-up ramp ensures easy access up to the start area when returning the seat to the next user. The platform is designed to be used for cableways installed on flat surroundings. For double cableways two start platforms can be placed next to each other.

Item no. NRO878-0621	
General Product Information	
Dimensions LxWxH	150x355x192 cm
Age group	4+
Play capacity (users)	-
Color options	



Cableway Start Platform

NRO878



Platform

Social-Emotional: Important life skills like courage, self-confidence, consideration and turn-taking are built.



Slope

Physical: inclined crawling or walking up or down develops the sense of balance and cross coordination. **Social-Emotional:** the inclination makes climbing feel secure, especially for younger children.

Cableway Start Platform

NRO878



All Organic Robinia products by KOMPAN are made of Robinia wood from sustainable European sources. On request it can be supplied as FSC® Certified (FSC® C004450).



Nets and ropes are made of UV-stabilised PA with inner steel cable reinforcement. The rope is induction treated in order to create a strong connection between steel and rope which leads to good wear resistance.



The hardware is made of stainless steel or galvanised steel to ensure durable connections with a high corrosion resistance.

Item no. NRO878-0621

Installation Information

Max. fall height	88 cm
Safety surfacing area	25.7 m ²
Total installation time	9.1
Excavation volume	1.53 m ³
Concrete volume	0.08 m ³
Footing depth (standard)	60 cm
Shipment weight	538 kg
Anchoring options	Surface ✓ In-ground ✓

Warranty Information

Robinia wood	15 years
Ropes & nets	10 years
Spare parts guaranteed	10 years



Sustainability Data

NRO878



Cradle to Gate A1-A3	Total CO ₂ emission	CO ₂ e/kg	Recycled materials
	kg CO ₂ e	kg CO ₂ e/kg	%
NRO878-0621	84.89	0.20	1.51

The overall framework applied for these factors is the Environmental Product Declaration (EPD), which quantifies "environmental information on the life cycle of a product and enable comparisons between products fulfilling the same function" (ISO, 2006). This follows the structure and applies a Life-Cycle Assessment approach to the entire Product stage from raw material through manufacturing (A1-A3))

Kompan A/S
 C.F. Tietgens Boulevard 32C
 DK-5220 Odense SØ
 Denmark



Verification of CO₂ calculation of: Nature play



Data version no. 2023-10-05

The CO₂ calculation and data are in compliance with the principles of a carbon footprint impact according to the GHG protocol (Greenhouse Gas Protocol), Scope 3, cradle to gate related to all individual components in the product category: "Nature play" represented by item no.: NRO409-0621.

(Scope 3 emissions include emission sources in the upstream and downstream value chain).

Date: 30. October 2023 | Valid until: 30. October 2025

Verified by:

Julie Marie Vejsgaard Larsen, LCA & EPD Consultant

Verification based on report: Validation of CO₂ calculation of 9 categories of Kompan product line, version 1.0, prepared by: Bureau Veritas HSE, Denmark: Julie M. V. Larsen.

Publication date: 30. October 2023

By Bureau Veritas HSE
 www.bureauveritas.dk
 +45 7731 1000

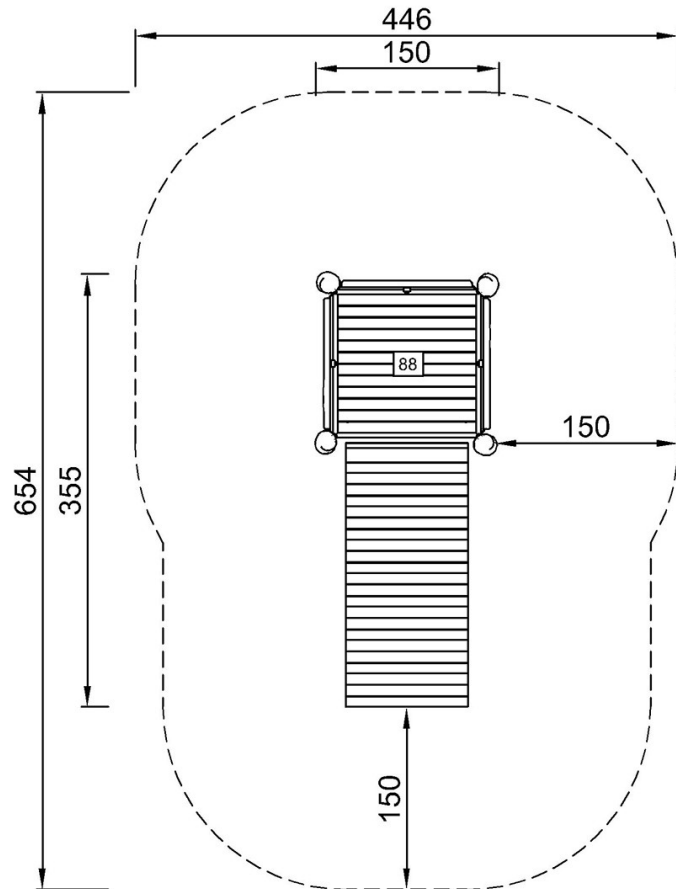


Cableway Start Platform

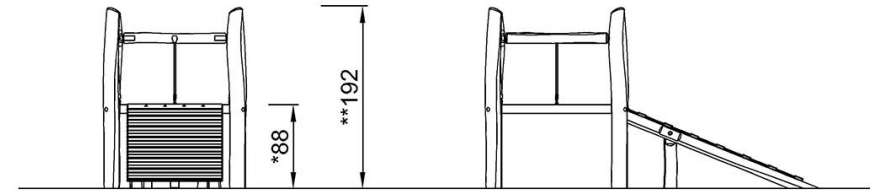
NRO878

* Max fall height | ** Total height | *** Safety surfacing area

* Max fall height | ** Total height



NRO878
*88cm
**192cm
***25.7m²



NRO878

[Click to see TOP VIEW](#)

[Click to see SIDE VIEW](#)