

Triceps Dips

FSW40700

KOMPAN[®]



产品编号 FSW40700-0001

产品信息概览

长宽高尺寸	71x202x120 cm
适用年龄段	13+
容纳人数	1
颜色选择	

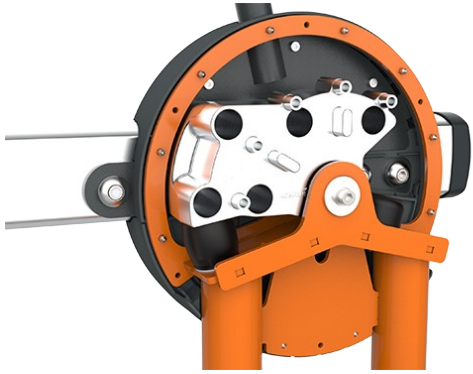


With an adjustable load, the Triceps machine provides effective weight training for the triceps muscles. It is designed for ease of use, requiring no adjustments except for the weight. The large V-shaped handle allows users of all sizes to find a comfortable position. by changing the hand placement on the handle, many exercise variations are possible.

Triceps Dips

FSW40700

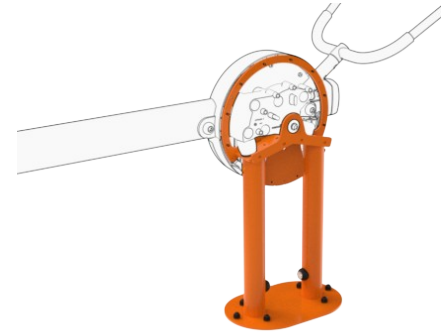
KOMPAN



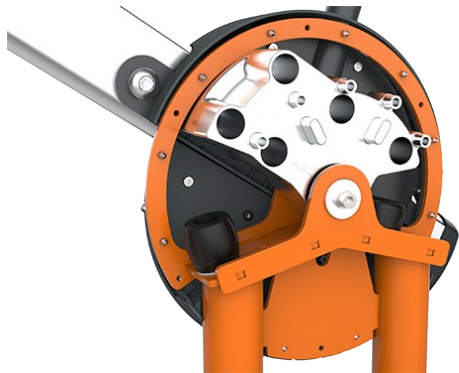
All mechanical stops are fully enclosed within the cover. The adjustable weight, featuring internal end stops and indexed positions, moves on rollers within an enclosed groove in an aluminium profile. As a result, entrapment is not possible, making it extremely safe to use and providing protection against the elements and unwanted abuse.



The weight can be adjusted in 8 steps of 5kg, providing a training weight from 5 to 40kg. The patent pending system is intuitive to use, eliminating the need for traditional pins that can get lost or stuck. Pull the handle and move the weight to quickly select the desired load.



All Steel components are made from carbon steel, with a hot-dip galvanized surface according to ISO1461, and a powder coating corrosion class C3 according to ISO12944-2. Lead content for surfaces is below 90ppm, and below 100ppm for base material.



The machine features low operating noise thanks to an internal end stop made from TPE (thermoplastic elastomer). The damper absorbs impact energy from the weight with minimal rebound, reducing noise and vibration and ensuring a quieter, more controlled training experience.



The large V-shaped handle fits users of all sizes and allows resistance and exercise variation to be increased through different hand placements or one-handed use.



The information sign is made of Polycarbonate and shows the most relevant exercise and a QR code. The QR code links to a video of the exercise in the KOMPAN sports & fitness App, which will provide a large amount of exercises and training.

产品编号 FSW40700-0001

安装信息

最大跌落高度	0 cm
安全面积	13.0 m ²
安装总时长	3.7 小时
开挖量	0.00 m ³
混凝土使用量	0.00 m ³
标准入地深度	0 cm
运输重量	195 kg
固定选项	

质保信息

镀锌 / 喷漆金属	10 年
铝	15 年
活动部件	2 年
承保零部件	10 年

EN
16630
compliant

可持续性数据

FSW40700



Independent review certificate

Kompan A/S
C. F. Tietgens Blvd. 32C, 5220 Odense SØ

Bureau Veritas hereby attests that the CO₂e-calculations (covering materials, processing, waste and transport) done by Kompan for "Fitness", meet the requirements set by the listed standard.

Kompan A/S uses a selection of EPDs and emission factors from the Life Cycle Assessment database Ecoinvent 3.11. These values are reported as kg CO₂e, with all other impact categories excluded in line with the scope of ISO 14067:2018. The emission factors cover, material use, manufacturing processes, transport to Kompan, and electricity used during manufacturing. The presented emissions fall under GHG Protocol scope 3 emissions. Scope 1 and 2 are not presented. Scope 3 emissions include emission sources in the upstream value chain of a company, downstream emissions are excluded in this analysis.

Method: ISO 14067:2018 using GHG protocol guidance documents, reported as kg CO₂e.

Object

The verification has been done on the one pager "FAZ10100-0900" version: 27-10-2025. The supporting documentation "KOMPAN data_updated emissions factors_2025_V2" and "Emissions factors, EPD's and ecoinvent 3.11_2025" was also reviewed and approved.

Declaration

The review has been completed as a critical review with a limited assurance. I hereby confirm that nothing has come to the reviewer's attention which would lead to conclude that the study does not give an accurate depiction or isn't completed following method of the CO₂e calculation, the requirements of ISO 14067:2018, and 14071:2024, in the above referenced documentation.

Note: This verification only covers calculation elements according to method described in ISO 14067:2018 and may not be seen as a Life Cycle Assessment according to ISO 14067:2018.

Ref.: Kompan_Verification report 2025, 28-10-2025

Date of certificate: 29-10-2025

Expire date: 29-10-2027

Verified by: Julie Marie Vejsgaard Larsen, Environmental Auditor

Signature:

从原材料到成品

CO₂ 排放总量

kg CO₂e

CO₂ 排放量 / 千克

kg CO₂e/kg

回收的原料

%

FSW40700-0001

614.48

6.13

45.90

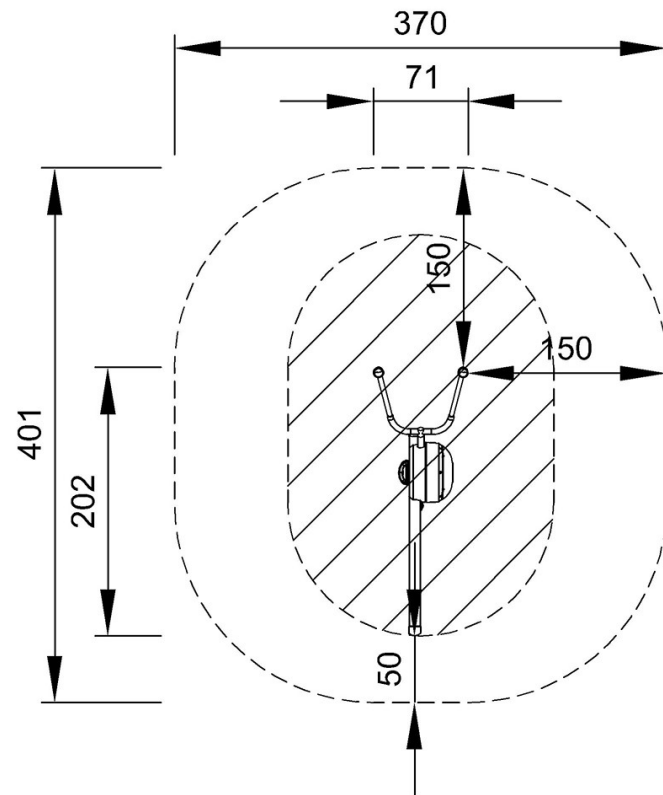
这些因素采用的总体框架为环保产品声明 (EPD)，该声明可量化“产品生命周期的环保信息，并对相同功能的产品进行对比” (ISO, 2006)。在遵循该框架的同时，对从原材料到制造的整个产品阶段 (A1-A3) 应用生命周期评估法。

Triceps Dips

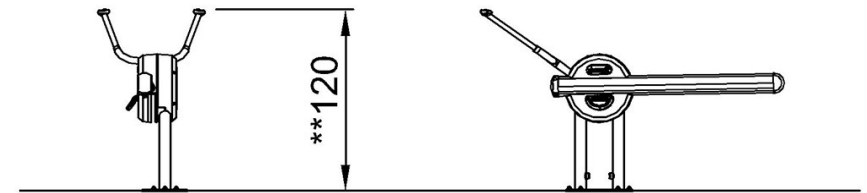
FSW40700

最大跌落高度 | 总高度 | 安全区域

最大跌落高度 | 总高度



FSW40700
*0cm
**120cm
***13m²



FSW40700

[点击查看俯视图](#)

[点击查看侧面图](#)