

# Playhut with Two Sides & Desks

NRO413



**KOMPAN**  
Let's play



A Playhut is a great attraction for children who want to play. The simple yet intentional design of this house will support and enhance children's play through the engaging details in specific features. The visible spaces support social interactions, and encourage children when they are looking for a way to enter a social play situation, comfortably. The roof

provides a sheltered space that children will enjoy moving in and out of, using their imagination to extend the play. The fenced sections of the house create additional opportunities for play and movement around the house, and children will also use this area to talk and socialize. The desk area adds another dimension to the play by providing a

space for creating play themes that involve exchanges over the desks and through the open window space. All of these activities support healthy development through play.

Item no. NRO413-1021	
<b>General Product Information</b>	
Dimensions LxWxH	5'11"x5'4"x5'2"
Age group	6m - 5
Play capacity (users)	10
Color options	 



# Playhut with Two Sides & Desks

NRO413



## Theme

**Cognitive:** suggests a theme and supports dramatic play, which stimulates language and communication skills.



## Desk

**Social-Emotional:** great meeting place and space creator for storing or sitting.



## Bench

**Social-Emotional:** invites socializing and cooperation. Allows for a break with friends.

# Playhut with Two Sides & Desks

NRO413



All Organic Robinia products by KOMPAN are made of Robinia wood from sustainable European sources. On request it can be supplied as FSC® Certified (FSC® C004450).



The product/activities are preassembled from the factory to ensure all safety requirements are considered.



The paint used for coloured components is water based environmentally friendly with excellent UV resistance. The paint is in compliance with EN 71 Part 3.

Item no. NRO413-1021	
Installation Information	
Max. fall height	0'0"
Safety surfacing area	0ft <sup>2</sup>
Total installation time	6.0
Excavation volume	0.82yd <sup>3</sup>
Concrete volume	0yd <sup>3</sup>
Footing depth (standard)	3'3"
Shipment weight	581lbs
Anchoring options	In-ground ✓
Warranty Information	
EcoCore HDPE	Lifetime
Hot dip galvanized steel	Lifetime
Robinia Wood	10 Years
Spare Parts Availability	10 Years
Stainless steel components	Lifetime



The playhouses are available with floor inside the house and with a floor outside to create a porch.



There are Multiple footing options for all products: Surface anchoring with steel footings and expansion bolts. Wood in-ground or steel in-ground footings.



Robinia products are available in three different wood treatment options: Untreated Robinia wood or brown painted with a pigment that maintains the wood color and colored version with paint of selected components.

Elevated activities 0	Accessible elevated activities	Accessible ground level activities	Accessible ground level play types
Present	0	1	1
Required	0	1	1

**ASTM F1487**  
compliant

# Sustainability Data

NRO413



Cradle to Gate A1-A3	Total CO <sub>2</sub> emission	CO <sub>2</sub> e/kg	Recycled materials
	kg CO <sub>2</sub> e	kg CO <sub>2</sub> e/kg	%
NRO413-1021	39.32	0.17	0.81

The overall framework applied for these factors is the Environmental Product Declaration (EPD), which quantifies "environmental information on the life cycle of a product and enable comparisons between products fulfilling the same function" (ISO, 2006). This follows the structure and applies a Life-Cycle Assessment approach to the entire Product stage from raw material through manufacturing (A1-A3))

**Kompan A/S**  
 C.F. Tietgens Boulevard 32C  
 DK-5220 Odense SØ  
 Denmark



## Verification of CO<sub>2</sub> calculation of: Nature play



Data version no. 2023-10-05

The CO<sub>2</sub> calculation and data are in compliance with the principles of a carbon footprint impact according to the GHG protocol (Greenhouse Gas Protocol), Scope 3, cradle to gate related to all individual components in the product category: "Nature play" represented by item no.: NRO409-0621.

(Scope 3 emissions include emission sources in the upstream and downstream value chain).

**Date: 30. October 2023 | Valid until: 30. October 2025**

**Verified by:**

Julie Marie Vejsgaard Larsen, LCA & EPD Consultant

Verification based on report: Validation of CO<sub>2</sub> calculation of 9 categories of Kompan product line, version 1.0, prepared by: Bureau Veritas HSE, Denmark: Julie M. V. Larsen.

**Publication date: 30. October 2023**

**By Bureau Veritas HSE**  
 www.bureauveritas.dk  
 +45 7731 1000

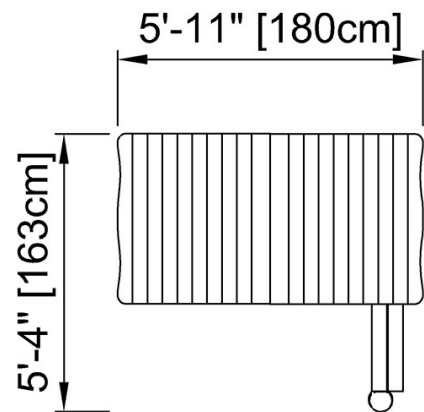


# Playhut with Two Sides & Desks

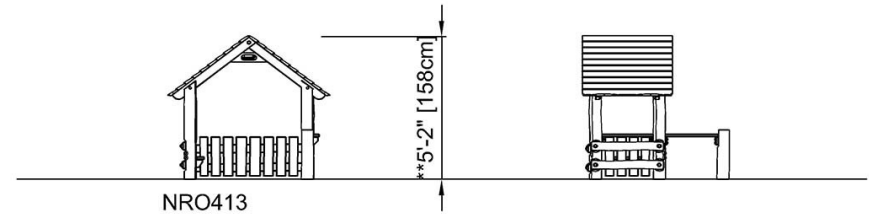
NRO413

\* Max fall height | \*\* Total height | \*\*\* Safety surfacing area

\* Max fall height | \*\* Total height



NRO413  
\*\* 5'-2" / 158cm



[Click to see TOP VIEW](#)

[Click to see SIDE VIEW](#)