

Large Slide Tower

PCM104521

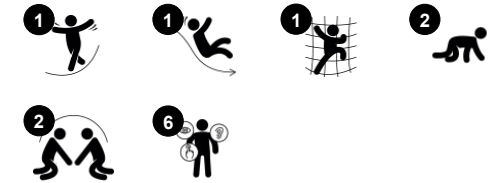
KOMPAN
Let's play



Item no. PCM104521-0901

General Product Information

Dimensions LxWxH	325x121x200 cm
Age group	2+
Play capacity (users)	4
Colour options	



The Large Slide Tower will encourage young children to play actively and socially, using their muscles to climb and slide. It is a thrilling venue that the rapidly developing preschooler will return to again and again. The pipe ladder offers a challenging way up, training muscles and cross-coordination. Cross-coordination stimulates cross-modal perception, necessary

for skills such as reading. The climbing also supports arms and leg muscles. The slide is stomach-tackling fun, training children's sense of balance, spatial awareness and core muscles when sitting upright going down. On the slide as well as the pipe ladder, children learn about turn-taking, empathy, and cooperation. The platform and windows

encourage playing together with friends both outside and on the platform.

Large Slide Tower

PCM104521



Slide

Physical: sliding develops spatial awareness and a sense of balance. Furthermore, the core muscles are trained when sitting upright going down. **Social-Emotional:** empathy stimulated by turn-taking. **Cognitive:** young children develop their understanding of space, speed and distances when sliding down quickly.



Pipe ladder

Physical: cross coordination and eye-hand coordination are supported when children climb the ladder. The climbing also supports leg and arm muscles. **Social-Emotional:** learning about turn taking and cooperation.



Window

Social-Emotional: invites interaction between sides and cooperative play.

Large Slide Tower

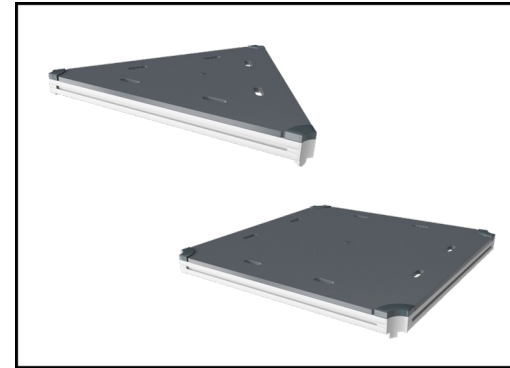
PCM104521



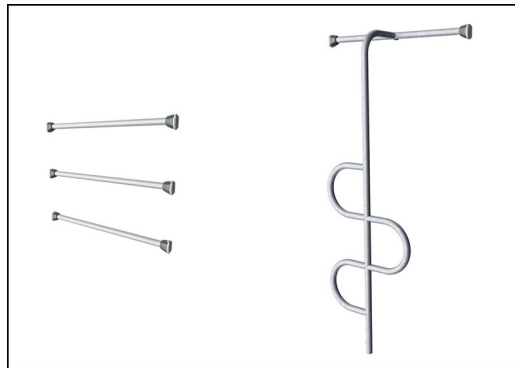
Panels of 19mm EcoCore™. EcoCore™ is a highly durable, eco friendly material, which is not only recyclable after use, but also consists of material produced from +95% recycled post consumer material from food packing waste.



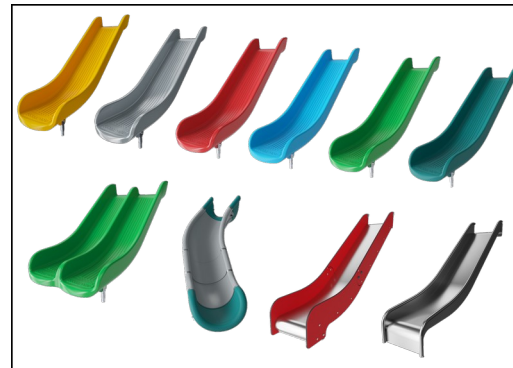
Main posts with hot dip galvanized steel footing are available in different materials: Pressure impregnated pine wood posts. Pre-galvanized inside and outside with powder coated top finish steel posts. Lead free aluminum with color anodized top finish. Greenline TexMade posts of 95% post-consumer recycled PE and textile waste.



All decks are supported by unique designed low-carbon aluminum profiles with multiple attachment options. The grey colored molded decks are made of 75% post-consumer waste PP material with a non-skid pattern and texture surface.



Pipe ladder bars are hot dip galvanised inside and outside with lead free zinc. The galvanisation has excellent corrosion resistance in outside environments and requires low maintenance.



The slides can be chosen in six different colors and three materials: Straight or curved one-piece molded PE slides, made from 33% recycled post-consumer materials in different colours. Combined EcoCore™ sides and stainless-steel. Full stainless steel in one piece design for more vandalism proof solutions.



Wood version of FSC®-certified (FSC®C004450) pine wood with pressure impregnated base treatment and brown painted top finish. Vertical boards and top ends protected by a unique aluminum profile for high outdoor durability.

Item no. PCM104521-0901

Installation Information

Max. fall height	118 cm
Safety surfacing area	21.0 m ²
Total installation time	6.9
Excavation volume	0.27 m ³
Concrete volume	0.00 m ³
Footing depth (standard)	90 cm
Shipment weight	225 kg
Anchoring options	Surface <input checked="" type="checkbox"/> In-ground <input checked="" type="checkbox"/>

Warranty Information

EcoCore HDPE	Lifetime
Post	10 years
PP Decks	10 years
Spare parts guaranteed	10 years
Steel	10 years

Sustainability Data

PCM104521



Cradle to Gate A1-A3	Total CO ₂ emission	CO ₂ e/kg	Recycled materials
	kg CO ₂ e	kg CO ₂ e/kg	%
PCM104521-0950	257.01	1.37	70.91
PCM104521-0901	294.08	1.79	63.10

The overall framework applied for these factors is the Environmental Product Declaration (EPD), which quantifies "environmental information on the life cycle of a product and enable comparisons between products fulfilling the same function" (ISO, 2006). This follows the structure and applies a Life-Cycle Assessment approach to the entire Product stage from raw material through manufacturing (A1-A3))

Kompan A/S
C.F. Tietgens Boulevard 32C
DK-5220 Odense SØ
Denmark



Verification of CO₂ calculation of: Play systems



Data version no. 2023-10-05

The CO₂ calculation and data are in compliance with the principles of a carbon footprint impact according to the GHG protocol (Greenhouse Gas Protocol), Scope 3, cradle to gate related to all individual components in the product category: "Play systems" represented by item no.: PCM200321-0950.

(Scope 3 emissions include emission sources in the upstream and downstream value chain).

Date: 30. October 2023 | Valid until: 30. October 2025

Verified by:

Julie Marie Vejsgaard Larsen, LCA & EPD Consultant

Verification based on report: Validation of CO₂ calculation of 9 categories of Kompan product line, version 1.0, prepared by: Bureau Veritas HSE, Denmark: Julie M. V. Larsen.

Publication date: 30. October 2023

By Bureau Veritas HSE
www.bureauveritas.dk
+45 7731 1000

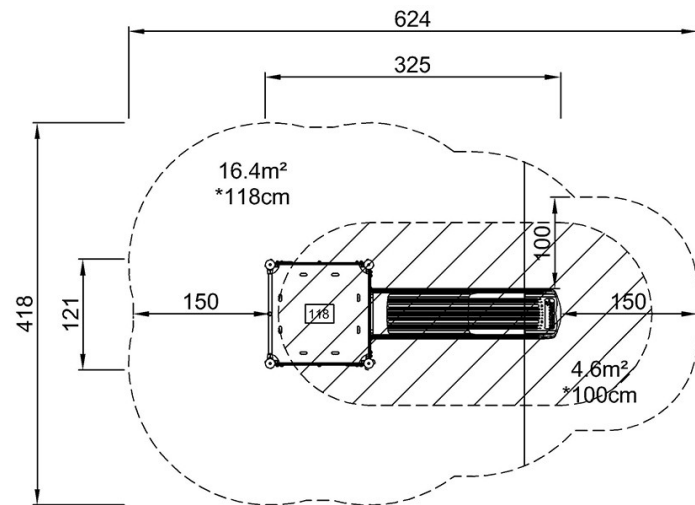


Large Slide Tower

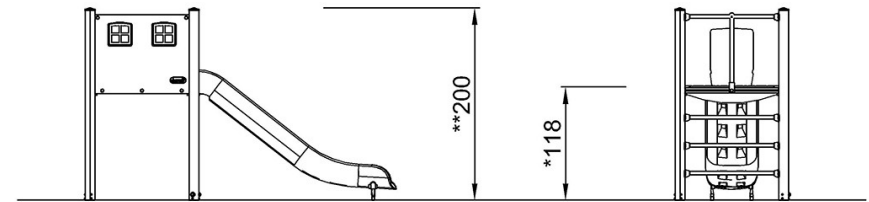
PCM104521

* Max fall height | ** Total height | *** Safety surfacing area

* Max fall height | ** Total height



PCM104521
*118cm
**200cm
***21m²



PCM104521

[Click to see TOP VIEW](#)

[Click to see SIDE VIEW](#)