

Niagara

NAT527



With its multiple thrilling climbs, the Niagara hugely attracts world explorers among school age children. The variety of challenging climbs and crawls via nets, poles, ladders and tilted floors will make children return for more play again and again. The varied ways up and down Stimulate children's balance and cross-coordination, and the proprioception: The

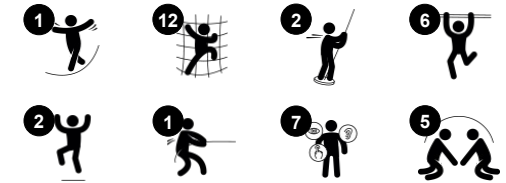
inclined, straight, swaying and firm climbs provide fun challenges for dare devils as well as more cautious explorers. The motor skills trained are important for children's physical confidence and their security in moving, for instance in the street. The senses of balance and space are trained whizzing down the banister bars. These skills are fundamental for

all other physical skills. The platform and net are nice meeting points for socializing with friends, planning new climbs.

Item no. NAT527-0912

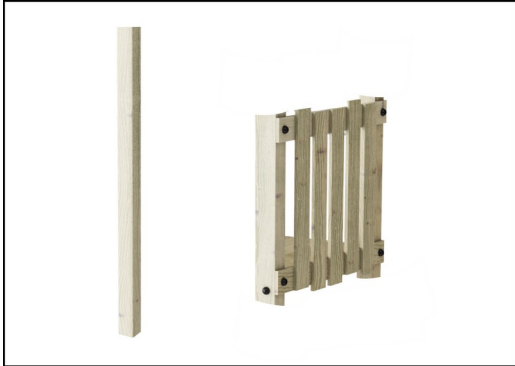
General Product Information

Dimensions LxWxH	452x644x312 cm
Age group	6+
Play capacity (users)	13
Color options	



Niagara

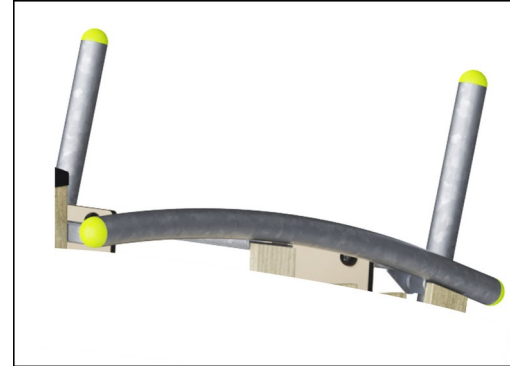
NAT527



Posts and boards are made of pine wood from sustainable European sources. The wood is pressure impregnated Class 3 with Tanalith E3475 according to EN335 (Equivalent to NTR Class AB). On request it can be supplied as FSC® Certified (FSC® C004450).



Panels of 19mm EcoCore™. EcoCore™ is a highly durable, eco friendly material, which is not only recyclable after use, but also consists of material produced from +95% recycled post consumer material from food packing waste.



The steel surfaces are hot dip galvanized inside and outside with lead free zinc. The galvanization has excellent corrosion resistance in outside environments and requires low maintenance.

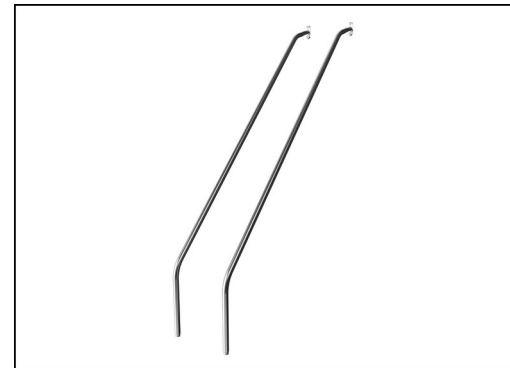
Item no. NAT527-0912	
Installation Information	
Max. fall height	267 cm
Safety surfacing area	49.4 m ²
Total installation time	14.1
Excavation volume	2.11 m ³
Concrete volume	0.41 m ³
Footing depth (standard)	91 cm
Shipment weight	451 kg
Anchoring options	In-ground ✓ Surface ✓



The rope nets are made of single braided 16 mm PES ropes. PES has high strength with excellent resistance to abrasion and UV radiation. The rope loops are assembled by aluminum connectors.



The post end caps are made of injection molded high quality nylon (PA6). PA6 has good wearing and impact strength and is UV stabilized. The end caps protects vertical placed posts to ensure long lifetime.



The stainless steel activities are made of high quality stainless steel. The steel is glass blasted after manufacturing to ensure a smooth gliding surface.



Sustainability Data

NAT527



Cradle to Gate A1-A3	Total CO ₂ emission	CO ₂ e/kg	Recycled materials
	kg CO ₂ e	kg CO ₂ e/kg	%
NAT527-0912	862.70	2.22	38.60

The overall framework applied for these factors is the Environmental Product Declaration (EPD), which quantifies "environmental information on the life cycle of a product and enable comparisons between products fulfilling the same function" (ISO, 2006). This follows the structure and applies a Life-Cycle Assessment approach to the entire Product stage from raw material through manufacturing (A1-A3))

Kompan A/S
 C.F. Tietgens Boulevard 32C
 DK-5220 Odense SØ
 Denmark



Verification of CO₂ calculation of: Nature play



Data version no. 2023-10-05

The CO₂ calculation and data are in compliance with the principles of a carbon footprint impact according to the GHG protocol (Greenhouse Gas Protocol), Scope 3, cradle to gate related to all individual components in the product category: "Nature play" represented by item no.: NRO409-0621.

(Scope 3 emissions include emission sources in the upstream and downstream value chain).

Date: 30. October 2023 | Valid until: 30. October 2025

Verified by:

Julie Marie Vejsgaard Larsen, LCA & EPD Consultant

Verification based on report: Validation of CO₂ calculation of 9 categories of Kompan product line, version 1.0, prepared by: Bureau Veritas HSE, Denmark: Julie M. V. Larsen.

Publication date: 30. October 2023

By Bureau Veritas HSE
 www.bureauveritas.dk
 +45 7731 1000

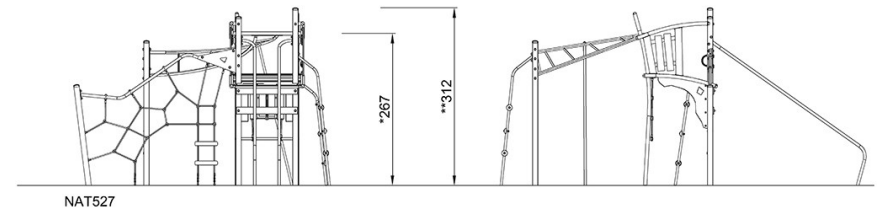
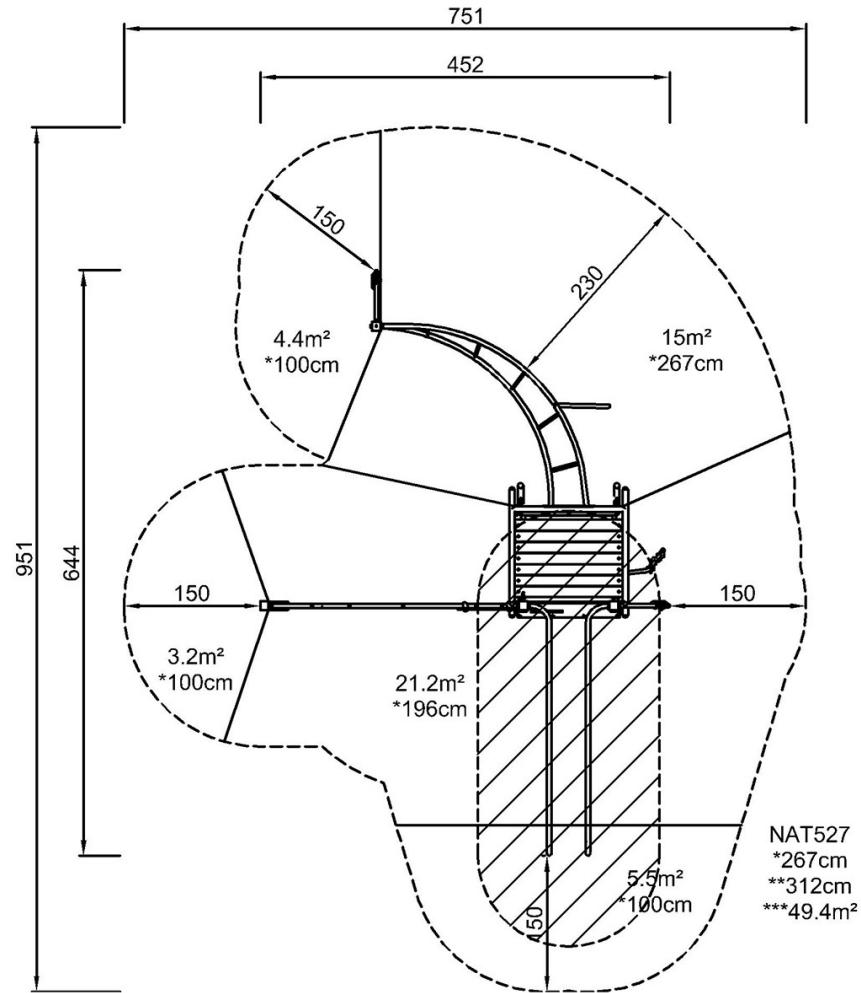


Niagara

NAT527

* Max fall height | ** Total height | *** Safety surfacing area

* Max fall height | ** Total height



[Click to see TOP VIEW](#)

[Click to see SIDE VIEW](#)