



Sitting Pole

NRO209



| | |
|------------------------------------|---|
| Item no. NRO209-0601 | |
| General Product Information | |
| Dimensions LxWxH | 16x16x30 cm |
| Age group | 1+ |
| Play capacity (users) | 1 |
| Color options |   |

Product is available as FSC® Certified (FSC® C004450) robinia wood on request.



Sitting Pole

NRO209



All Organic Robinia products by KOMPAN are made of Robinia wood from sustainable European sources. On request it can be supplied as FSC® Certified (FSC® C004450).

Item no. NRO209-0601

Installation Information

| | |
|--------------------------|--------------------------|
| Max. fall height | 30 cm |
| Safety surfacing area | 7.8 m ² |
| Total installation time | 0.9 |
| Excavation volume | 0.04 m ³ |
| Concrete volume | 0.00 m ³ |
| Footing depth (standard) | 60 cm |
| Shipment weight | 16 kg |
| Anchoring options | In-ground ✓ Surface ✓ |



Sustainability Data

NRO209



| Cradle to Gate A1-A3 | Total CO ₂ emission | CO ₂ e/kg | Recycled materials |
|----------------------|--------------------------------|-------------------------|--------------------|
| | kg CO ₂ e | kg CO ₂ e/kg | % |
| NRO209-0601 | 2.00 | 0.16 | 0.20 |

The overall framework applied for these factors is the Environmental Product Declaration (EPD), which quantifies "environmental information on the life cycle of a product and enable comparisons between products fulfilling the same function" (ISO, 2006). This follows the structure and applies a Life-Cycle Assessment approach to the entire Product stage from raw material through manufacturing (A1-A3))

Kompan A/S
 C.F. Tietgens Boulevard 32C
 DK-5220 Odense SØ
 Denmark



Verification of CO₂ calculation of: Nature play



Data version no. 2023-10-05

The CO₂ calculation and data are in compliance with the principles of a carbon footprint impact according to the GHG protocol (Greenhouse Gas Protocol), Scope 3, cradle to gate related to all individual components in the product category: "Nature play" represented by item no.: NRO409-0621.

(Scope 3 emissions include emission sources in the upstream and downstream value chain).

Date: 30. October 2023 | Valid until: 30. October 2025

Verified by:

Julie Marie Vejsgaard Larsen, LCA & EPD Consultant

Verification based on report: Validation of CO₂ calculation of 9 categories of Kompan product line, version 1.0, prepared by: Bureau Veritas HSE, Denmark: Julie M. V. Larsen.

Publication date: 30. October 2023

By Bureau Veritas HSE
 www.bureauveritas.dk
 +45 7731 1000

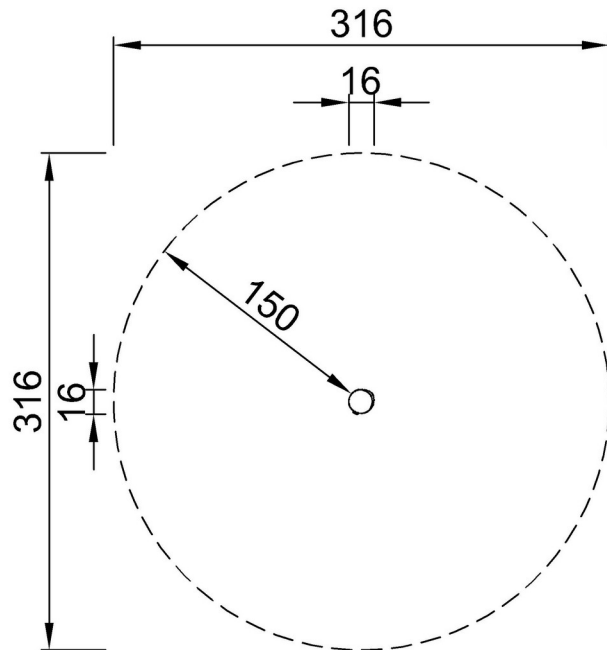


Sitting Pole

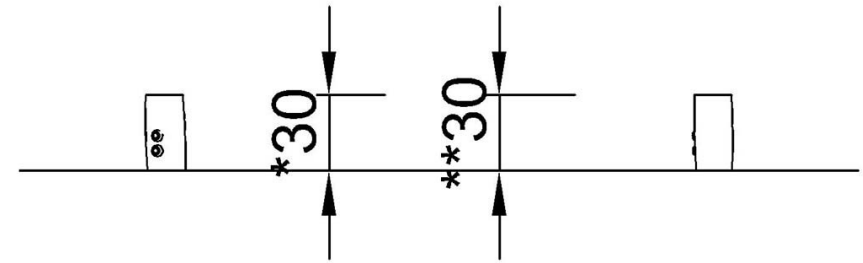
NRO209

* Max fall height | ** Total height | *** Safety surfacing area

* Max fall height | ** Total height



NRO209
*30cm
**30cm
***7.8m²



NRO209

[Click to see TOP VIEW](#)

[Click to see SIDE VIEW](#)