

The Wizard's Hideaway, ADA


NRO409

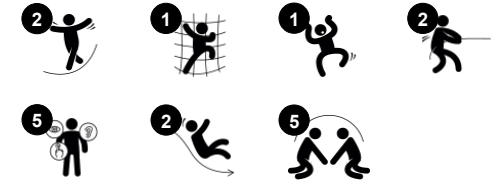
KOMPANI
Let's play



The Wizard's hideaway is magical! With an elevated house and blue roof, it inspires role play. The natural Robinia timber provides an organic structure, that can either blend into or stand out from your surroundings. Children can touch and feel the timber while acting out their imaginations and social play, observing how nature inspiration interacts with the built

environment. A table on the side of the house can be used as a meeting point or provide a seat for caregivers, and the small stairs and slide are great for toddlers.

Item no. NRO409-0621	
General Product Information	
Dimensions LxWxH	316x454x327 cm
Age group	2+
Play capacity (users)	11
Colour options	



The Wizard's Hideaway, ADA

NRO409



Side desk

Social-Emotional: fine meeting place and a space creator. Sharing and cooperation from both sides to create a social scenario that supports communication and cooperation.



Double slide

Physical: develops spatial awareness, sense of balance and trains core muscles when sitting upright going down. **Social-Emotional:** invites socialising, supports parent-child and peer-to-peer play. **Cognitive:** young children train their understanding of space, speed and distances when sliding down.



Accessible stairway

Physical: climbing the accessible stairway is for all and supports cross coordination as well as arm and leg muscles. **Social-Emotional:** room for active breaks and adult helpers. An inclusive space.



Platform

Social-Emotional: courage, self-confidence, consideration and turn-taking are built when children share the platform.



Theme

Cognitive: suggests a theme and supports dramatic play, which stimulates language and communication skills.



Bench

Social-Emotional: invites socializing and cooperation. Allows for a break with friends.

The Wizard's Hideaway, ADA

NRO409



All organic Robinia products by KOMPAN are made of Robinia wood which is sourced from sustainable plantation farms. On request it can be supplied as FSC® Certified (FSC® C004450).



The paint used for coloured components is water-based, which is environmentally friendly and has excellent UV resistance. The paint is compliant with Australian Standards.



The Robinia products come in a number of standard colour options. The wood can also be supplied as untreated or with brown painted with a pigment that maintains the wood colour.



The product/activities are preassembled from the factory to ensure all safety requirements are considered.



The hardware is made of stainless steel or galvanised steel to ensure durable connections that has high corrosion resistance.

Item no. NRO409-0621

Installation Information

Max. fall height	100 cm
Safety surfacing area	35.1 m ²
Total installation time	26.6
Excavation volume	0.87 m ³
Concrete volume	0.00 m ³
Footing depth (standard)	80 cm
Shipment weight	1,215 kg
Anchoring options	In-ground ✓ Surface ✓

Warranty Information

PE Slide	10 years
Robinia Wood	15 years
Ropes & Nets	10 years
Spare Parts Guarantee	10 years
Stainless Steel Components	Lifetime



Sustainability Data

NRO409



Cradle to Gate A1-A3	Total CO ₂ emission	CO ₂ e/kg	Recycled materials
	kg CO ₂ e	kg CO ₂ e/kg	%
NRO409-0621	397.82	0.39	4.91

The overall framework applied for these factors is the Environmental Product Declaration (EPD), which quantifies "environmental information on the life cycle of a product and enable comparisons between products fulfilling the same function" (ISO, 2006). This follows the structure and applies a Life-Cycle Assessment approach to the entire Product stage from raw material through manufacturing (A1-A3))

Kompan A/S
 C.F. Tietgens Boulevard 32C
 DK-5220 Odense SØ
 Denmark



Verification of CO₂ calculation of: Nature play



Data version no. 2023-10-05

The CO₂ calculation and data are in compliance with the principles of a carbon footprint impact according to the GHG protocol (Greenhouse Gas Protocol), Scope 3, cradle to gate related to all individual components in the product category: "Nature play" represented by item no.: NRO409-0621.

(Scope 3 emissions include emission sources in the upstream and downstream value chain).

Date: 30. October 2023 | Valid until: 30. October 2025

Verified by:

Julie Marie Vejsgaard Larsen, LCA & EPD Consultant

Verification based on report: Validation of CO₂ calculation of 9 categories of Kompan product line, version 1.0, prepared by: Bureau Veritas HSE, Denmark: Julie M. V. Larsen.

Publication date: 30. October 2023

By Bureau Veritas HSE
 www.bureauveritas.dk
 +45 7731 1000

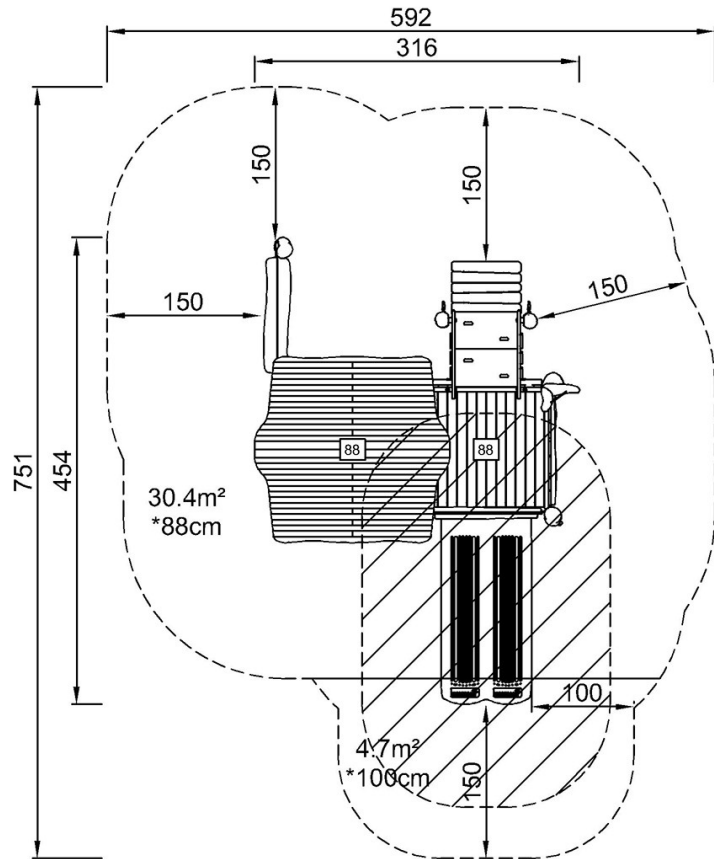


The Wizard's Hideaway, ADA

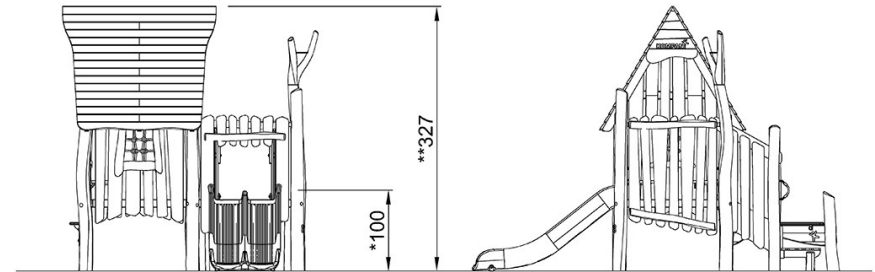
NRO409

* Max fall height | ** Total height | *** Safety surfacing area

* Max fall height | ** Total height



NRO409
 *100cm
 **327cm
 ***35.1m²



NRO409

[Click to see TOP VIEW](#)

[Click to see SIDE VIEW](#)