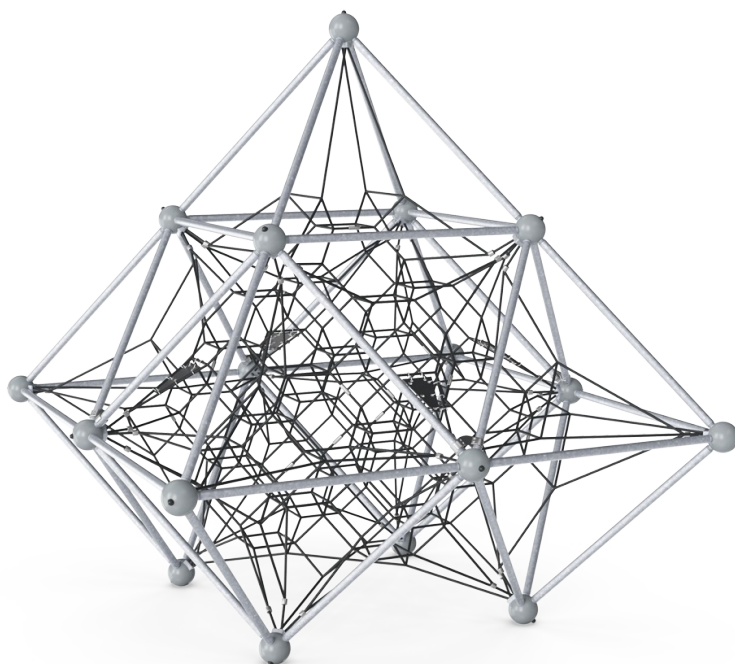
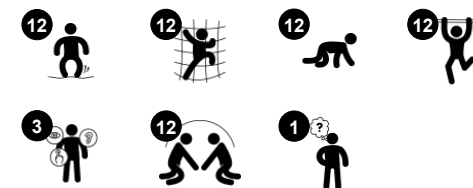


# Medite

COR49330



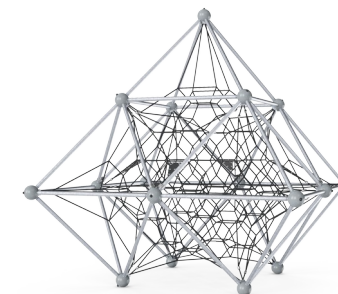
Item no. COR493301-0406	
<b>General Product Information</b>	
Dimensions LxWxH	423x423x446 cm
Age group	5+
Play capacity (users)	31
Color options	



The Medite offers a wild climbing experience in three-dimensional nets. The meandering, bouncy climbing paths appeal immensely to children. The thrilling heights and transparency of action attract children again and again and make them want to come back. The bouncy, symmetric net cubes take concentration when climbing, as all the movements of other

climbers can be sensed throughout. At this height that means risk assessment and concentration. Social inter-action and stimulation of cooperation is encouraged here. The nets train important motor skills such as proprioception, spatial awareness and cross-body coordination which are fundamental skills for risk assessment when for instance judging

and navigating traffic securely. The rich climbing experiences from bottom to top invite all users and offer graded challenge in play, which means high play capacity.



# Medite

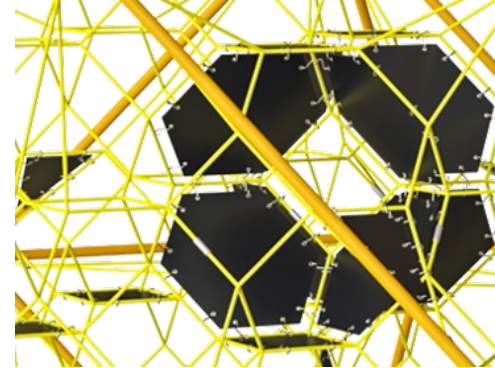
COR49330



Corocord 'S' clamps are used as universal connections in Corocord products. 8mm stainless steel rods with rounded edges are pressed around the ropes with a special hydraulic press, making them the ideal connector: safe, durable and vandalism-proof, all while allowing the typical movement of rope climbing structures.



The aluminium swages of the net are double conical with rounded ends and are as small as safety allows. The overall net design aims at keeping metal parts within the net to an absolute minimum, both in size and number, in order to provide the best possible rope climbing experience.

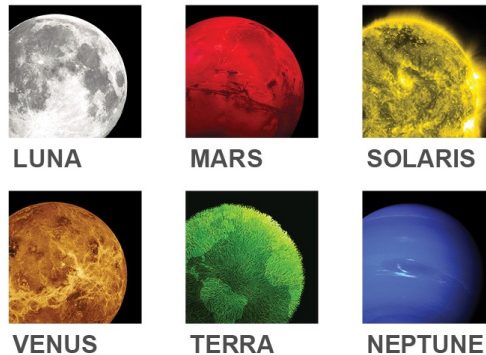


Corocord membranes consist of friction-proof rubberized material of conveyor belt quality with excellent UV resistance. Tested and compliant with REACH requirements for PAH. Embedded is a four-layered armouring made of woven polyester. The armouring and the two surface layers result in a total thickness of 7.5 mm.

Item no. COR493301-0406	
Installation Information	
Max. fall height	165 cm
Safety surfacing area	51.7 m <sup>2</sup>
Total installation time	28.9
Excavation volume	1.76 m <sup>3</sup>
Concrete volume	0.98 m <sup>3</sup>
Footing depth (standard)	120 cm
Shipment weight	850 kg
Anchoring options	In-ground ✓



The steel struts are hot dip galvanised inside and outside with lead free zinc. The galvanisation has excellent corrosion resistance in outside environments and requires low maintenance.

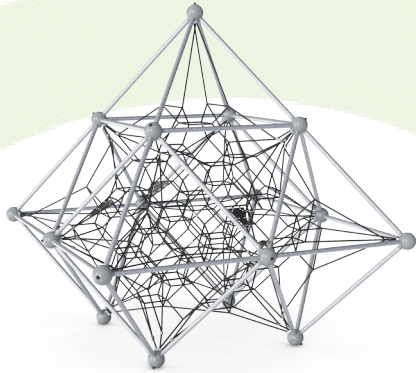


The COROCORD Frame Nets are available in 6 galactic colour themes. The themes draw on bright colours that appeal to children of all ages. Can be changed in the configurator.



# Sustainability Data

COR49330



Cradle to Gate A1-A3	Total CO <sub>2</sub> emission	CO <sub>2</sub> e/kg	Recycled materials
	kg CO <sub>2</sub> e	kg CO <sub>2</sub> e/kg	%
<b>COR493301-0406</b>	2,552.50	3.84	44.20

The overall framework applied for these factors is the Environmental Product Declaration (EPD), which quantifies "environmental information on the life cycle of a product and enable comparisons between products fulfilling the same function" (ISO, 2006). This follows the structure and applies a Life-Cycle Assessment approach to the entire Product stage from raw material through manufacturing (A1-A3))

**Kompan A/S**  
 C.F. Tietgens Boulevard 32C  
 DK-5220 Odense SØ  
 Denmark



## Verification of CO<sub>2</sub> calculation of: Corocord



Data version no. 2023-10-05

The CO<sub>2</sub> calculation and data are in compliance with the principles of a carbon footprint impact according to the GHG protocol (Greenhouse Gas Protocol), Scope 3, cradle to gate related to all individual components in the product category: "Corocord" represented by item no.: COR314011-1101.

(Scope 3 emissions include emission sources in the upstream and downstream value chain).

**Date: 30. October 2023 | Valid until: 30. October 2025**

Verified by:

Julie Marie Vejsgaard Larsen, LCA & EPD Consultant

Verification based on report: Validation of CO<sub>2</sub> calculation of 9 categories of Kompan product line, version 1.0, prepared by: Bureau Veritas HSE, Denmark: Julie M. V. Larsen.

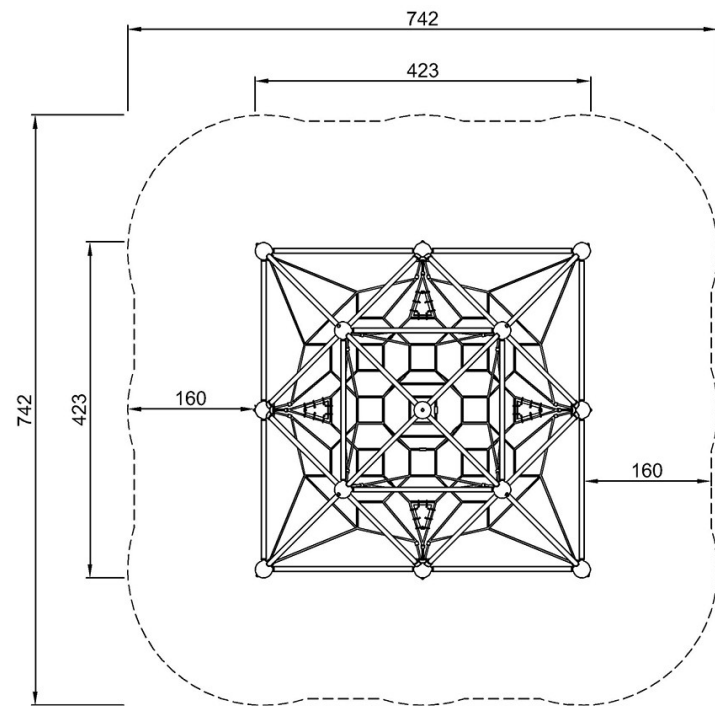
**Publication date: 30. October 2023**

By Bureau Veritas HSE  
 www.bureauveritas.dk  
 +45 7731 1000

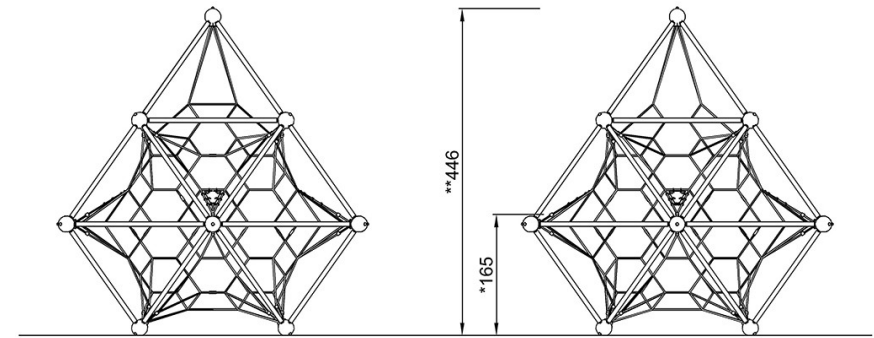


\* Max fall height | \*\* Total height | \*\*\* Safety surfacing area

\* Max fall height | \*\* Total height



COR493301  
\*165cm  
\*\*446cm  
\*\*\*51.7m<sup>2</sup>



COR493301

[Click to see TOP VIEW](#)

[Click to see SIDE VIEW](#)