

Agora Steel Picnic Mini Bench Table Set

PAR4180

KOMPAN
Let's play



Item no. PAR4180-0004

General Product Information

Dimensions LxWxH 105x134x60 cm

Age group

Play capacity (users) -

Colour options



AGORA Picnic Mini is a part of the awarded furniture line from KOMPAN. AGORA offers a high level of flexibility when it comes to anchoring, colour and material options to stimulate architectural creativity and to fit the site-specific requirements for individual customer projects. AGORA comes in a durable and robust design and is manufactured in low

maintenance materials to ensure long-lasting outdoor solutions with the lowest possible total cost of ownership.



Agora Steel Picnic Mini Bench Table Set

PAR4180



Steel internal surfaces are hot-dip galvanised, and the outside surfaces are lead and zinc free. Galvanisation has excellent corrosion resistance within outdoor environments and requires very little maintenance. Painted steel parts are hot-dip galvanised and then powder coated.



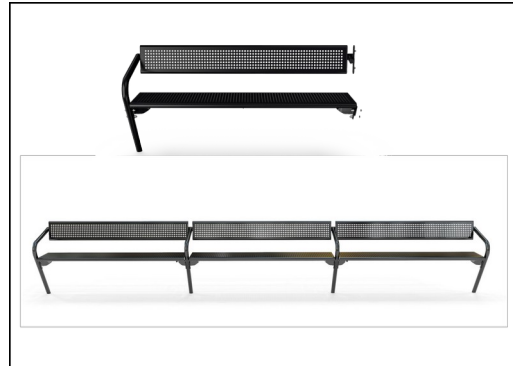
Galvanisation is manufactured with a two-step process which includes light grinding and clean sweeping, which is then finished with a top powder coating to 70-120 µm thickness.



The Agora full steel assortment is available as standard in 9 different colors to match the selected color scheme on the play, sport or fitness site.



The furniture is a freestanding product with optional anchoring possibilities. Kompan has multiple anchoring's to fit specific requirements for individual customer projects. The anchoring is sold as separate modules.



The standard available benches and tables can be customised up with back support, armrests, tables to create unique solutions for your project needs and locations.



The hardware is made of stainless steel or galvanised steel to ensure durable connections with a high corrosion resistance.

Item no. PAR4180-0004

Installation Information

Total installation time	2.8
Excavation volume	0.00 m ³
Concrete volume	0.00 m ³
Footing depth (standard)	0 cm
Shipment weight	96 kg
Anchoring options	Surface ✓ In-ground ✓

Warranty Information

Galvanised Steel	Lifetime
Painted Toplayer	10 years
Spare Parts Guarantee	10 years
Stainless Steel Components	Lifetime

Sustainability Data

PAR4180



Cradle to Gate A1-A3	Total CO ₂ emission	CO ₂ e/kg	Recycled materials
	kg CO ₂ e	kg CO ₂ e/kg	%
PAR4180-0004	216.29	2.58	50.00

The overall framework applied for these factors is the Environmental Product Declaration (EPD), which quantifies "environmental information on the life cycle of a product and enable comparisons between products fulfilling the same function" (ISO, 2006). This follows the structure and applies a Life-Cycle Assessment approach to the entire Product stage from raw material through manufacturing (A1-A3))

Kompan A/S
C.F. Tietgens Boulevard 32C
DK-5220 Odense SØ
Denmark



Verification of CO₂ calculation of: Park



Data version no. 2023-10-05

The CO₂ calculation and data are in compliance with the principles of a carbon footprint impact according to the GHG protocol (Greenhouse Gas Protocol), Scope 3, cradle to gate related to all individual components in the product category: "Park" represented by item no.: PAR4070-0001.

(Scope 3 emissions include emission sources in the upstream and downstream value chain).

Date: 30. October 2023 | Valid until: 30. October 2025

Verified by:

Julie Marie Vejsgaard Larsen, LCA & EPD Consultant

Verification based on report: Validation of CO₂ calculation of 9 categories of Kompan product line, version 1.0, prepared by: Bureau Veritas HSE, Denmark: Julie M. V. Larsen.

Publication date: 30. October 2023

By Bureau Veritas HSE
www.bureauveritas.dk
+45 7731 1000

