

Item no. M19301-3417

### General Product Information

Dimensions LxWxH	254x38x89 cm
Age group	4+
Play capacity (users)	2
Colour options	●



The Csaw is a cool play magnet for primary and middle school children. Rocking on the Csaw is a thrilling physical and social activity. The middle bar accommodates friends who want to be rocked and the differently shaped handholds allow for more hand hold heights. The CALIBRATED ROCKING ELEMENT provides a smooth rocking movement. Rocking

is not only fun, it stimulates physical and socio-emotional skills. The Csaw's movements help to develop spatial awareness and the sense of balance. These are fundamental motor skills that help the child move about confidently. The cooperation and turn-taking in seesawing build important socio-emotional skills such as turn-taking and empathy. These are important for

building an understanding of human interaction that will support the child's ability to build friendships for life.



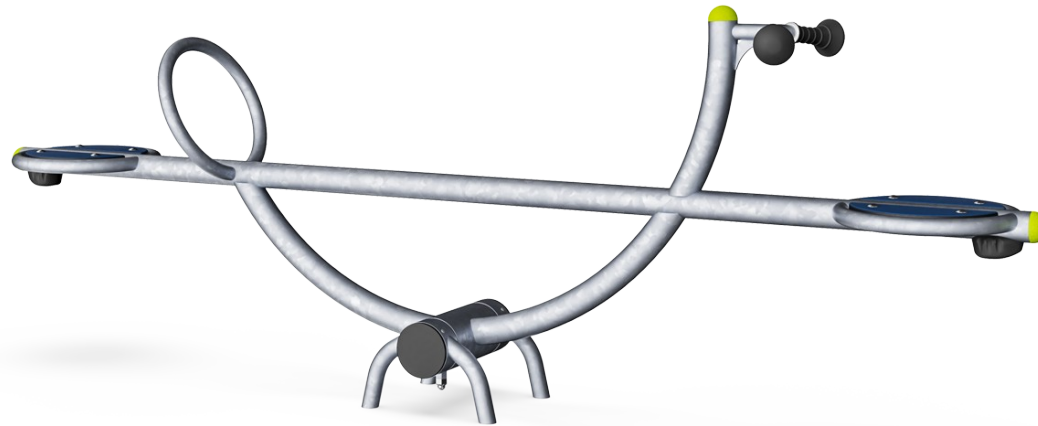
# Csaw

M193



## Rocking movement

**Physical:** response to movements adds to spatial awareness and sense of balance. These are fundamental motor skills that help the child's ability to sit still on a chair which takes a good sense of balance. **Cognitive:** trains the understanding of cause and effect: when I move my body, the spring responds with movement.



## Handhold

**Physical:** the possibility to hold on tight enables intense rocking. This trains the hand and arm muscles.



## Rocking together

**Social-Emotional:** the possibility of rocking two together trains cooperation skills. Consideration of others when rocking.

# Csaw

M193



The steel surfaces are hot dip galvanised inside and outside with lead free zinc. The galvanisation has excellent corrosion resistance in outside environments and requires low maintenance.



Seats of 19mm EcoCore™. EcoCore™ is a highly durable, eco-friendly material, which is not only recyclable after use, but is also made of +95% recycled post-consumer material from e.g., food packing waste in both core and colorful outer layer.



The teardrop handle has been designed in shape and diameter so as to fit optimally for older kids, and the special thermoplastic rubber (TPV) rubber surface makes it nice to touch.



The rocking movement over axis is made by heavy duty scaled ROSTA torsion spring element. The ROSTA element works without any noise and requires low maintenance.

Item no. M19301-3417	
<b>Installation Information</b>	
Max. fall height	100 cm
Safety surfacing area	9.4 m <sup>2</sup>
Total installation time	2.8
Excavation volume	0.54 m <sup>3</sup>
Concrete volume	0.00 m <sup>3</sup>
Footing depth (standard)	70 cm
Shipment weight	135 kg
Anchoring options	In-ground ✓ Surface ✓
<b>Warranty Information</b>	
EcoCore HDPE	Lifetime
Handle	10 years
Hot dip galvanised steel	Lifetime
ROSTA element	2 years
Spare parts guaranteed	10 years



# Sustainability Data

M193



Cradle to Gate A1-A3	Total CO <sub>2</sub> emission	CO <sub>2</sub> e/kg	Recycled materials
	kg CO <sub>2</sub> e	kg CO <sub>2</sub> e/kg	%
<b>M19301-3417</b>	189.75	1.42	25.04

The overall framework applied for these factors is the Environmental Product Declaration (EPD), which quantifies "environmental information on the life cycle of a product and enable comparisons between products fulfilling the same function" (ISO, 2006). This follows the structure and applies a Life-Cycle Assessment approach to the entire Product stage from raw material through manufacturing (A1-A3))

**Kompan A/S**  
 C.F. Tietgens Boulevard 32C  
 DK-5220 Odense SØ  
 Denmark



## Verification of CO<sub>2</sub> calculation of: Freestanding play equipment



Data version no. 2023-10-05

The CO<sub>2</sub> calculation and data are in compliance with the principles of a carbon footprint impact according to the GHG protocol (Greenhouse Gas Protocol), Scope 3, cradle to gate related to all individual components in the product category: "Freestanding play equipment" represented by item no.: GXY916012-3417.

(Scope 3 emissions include emission sources in the upstream and downstream value chain).

**Date: 30. October 2023 | Valid until: 30. October 2025**

**Verified by:**

Julie Marie Vejsgaard Larsen, LCA & EPD Consultant

Verification based on report: Validation of CO<sub>2</sub> calculation of 9 categories of Kompan product line, version 1.0, prepared by: Bureau Veritas HSE, Denmark: Julie M. V. Larsen.

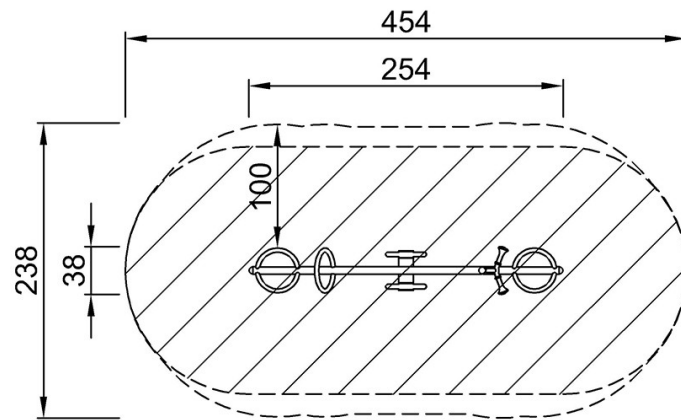
**Publication date: 30. October 2023**

**By Bureau Veritas HSE**  
 www.bureauveritas.dk  
 +45 7731 1000

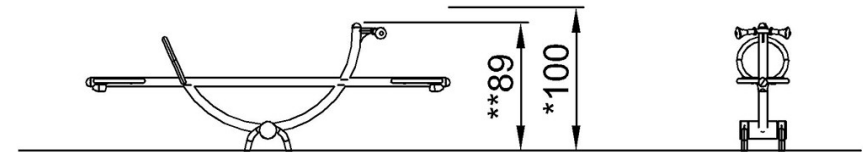


\* Max fall height | \*\* Total height | \*\*\* Safety surfacing area

\* Max fall height | \*\* Total height



M19301  
\*100cm  
\*\*89cm  
\*\*\*9.4m<sup>2</sup>



M19301

[Click to see TOP VIEW](#)

[Click to see SIDE VIEW](#)