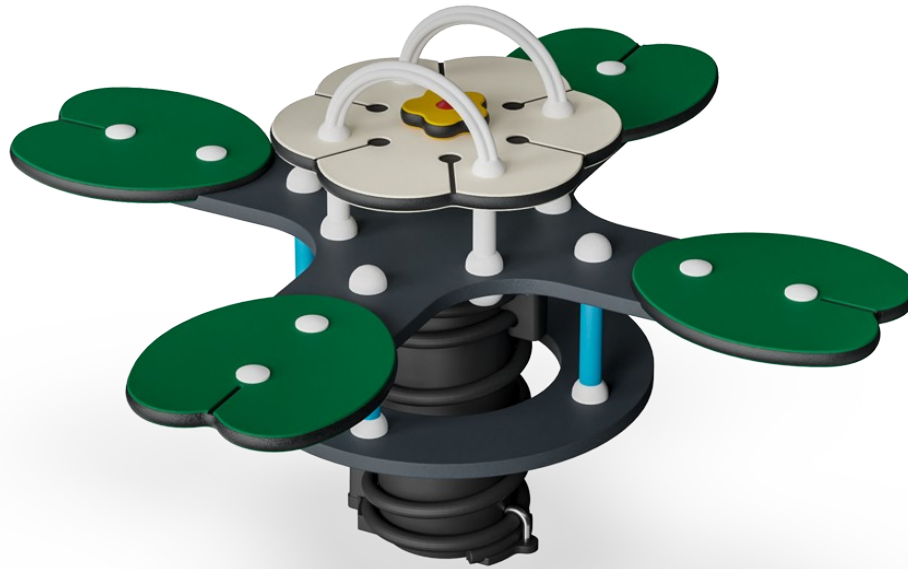


# Water Lilies

M175



Item no. M17501-01P

## General Product Information

Dimensions LxWxH	104x104x61 cm
Age group	1+
Play capacity (users)	4
Color options	



WOW it's play time for toddlers. Under 5s will be thrilled by the social and physical potential of the Water Lilies: 1, 2, 3 or 4 children can seesaw, play and cooperate at the same time. This makes the Waterlilies a highly versatile play unit, taking up little space and appealing to toddlers again and again. Apart from being great play, the Water Lilies support

fundamental areas of childrens' development and learning through play: important motor skills such as balance and proprioception get trained when children rock, pushing their feet and pulling their arms. These are fundamental to life skills in later life. While rocking together, toddlers additionally train important social-emotional skills such as cooperation. The logic

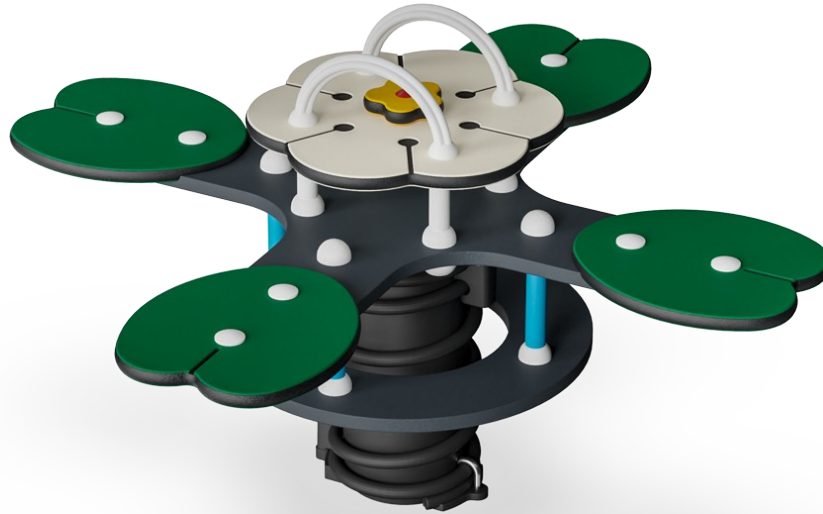
of movement sequence trains the child's thinking skills. The Water Lilies are true playful learning.



Data is subject to change without prior notice.

# Water Lilies

M175



## Rocking together

**Social-Emotional:** the possibility of rocking two together trains cooperation skills. Consideration of others when rocking.



## Handhold

**Physical:** the vertical handgrips ensure a firm grip at different heights, necessary for rocking intensely. This trains hand and arm muscles.



## Rocking spring

**Physical:** response to movements adds to spatial awareness and sense of balance. These are fundamental motor skills that help the child's ability to sit still on a chair which takes a good sense of balance. **Cognitive:** trains the understanding of cause and effect: when I move my body, the spring responds with movement.



## Foot support

**Physical:** the possibility of footrest supports intensive rocking. Rocking stimulates the senses of balance and space that are fundamental in managing the world securely.

# Water Lilies

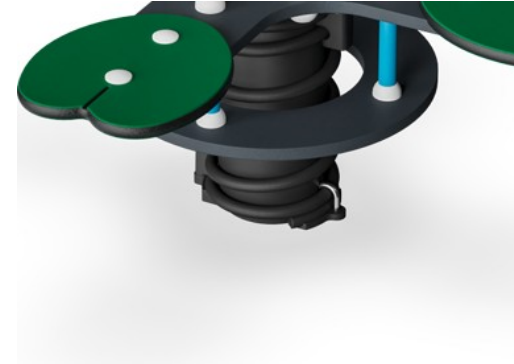
M175



Panels of 19mm EcoCore™. EcoCore™ is a highly durable, eco friendly material, which is not only recyclable after use, but also consists of material produced from +95% recycled post consumer material from food packing waste.



KOMPAN Springs are made of high quality spring steel according to EN10270. The springs are cleaned by phosphating before they are painted with an epoxy primer and a polyester powder coating as top finish. The springs are fixed by unique anti pinch fittings for maximum safety and long lifetime.

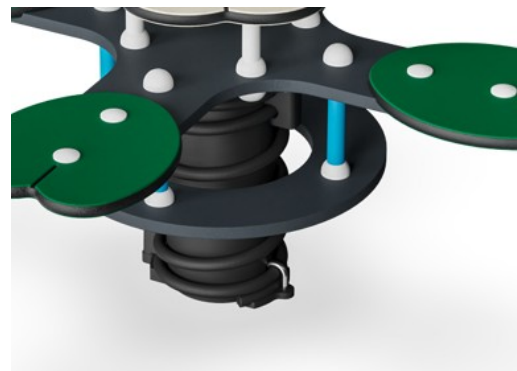


The springs are fixed by unique anti pinch fittings for maximum safety and long lifetime.

Item no. M17501-01P	
<b>Installation Information</b>	
Max. fall height	60 cm
Safety surfacing area	9.6 m <sup>2</sup>
Total installation time	3.0
Excavation volume	0.19 m <sup>3</sup>
Concrete volume	0.00 m <sup>3</sup>
Footing depth (standard)	45 cm
Shipment weight	54 kg
Anchoring options	In-ground ✓ Surface ✓
<b>Warranty Information</b>	
EcoCore HDPE	Lifetime
HPL decks	15 years
Spare parts guaranteed	10 years
Springs	5 years



Handholds are made of injection moulded high quality nylon (PA6). PA6 has good wearing and impact strength.



Foot support is made of HPL with a thickness of 17,8mm with a very high wearing strength and a unique KOMPAN nonskid surface texture.

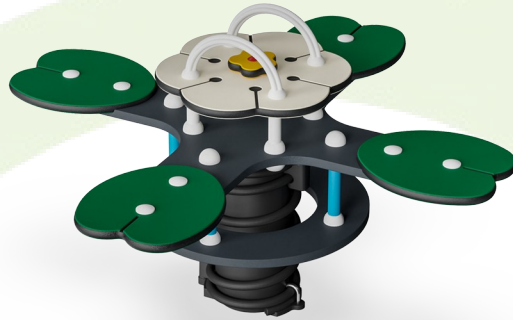


Steps are made of PUR. It retains their properties in the temperature range of -30°C to 60°C. Step is stabilised to a maximum without use of heavy metal stabilities.



# Sustainability Data

M175



Cradle to Gate A1-A3	Total CO <sub>2</sub> emission	CO <sub>2</sub> e/kg	Recycled materials
	kg CO <sub>2</sub> e	kg CO <sub>2</sub> e/kg	%
<b>M17501-01P</b>	134.77	2.71	27.16

The overall framework applied for these factors is the Environmental Product Declaration (EPD), which quantifies "environmental information on the life cycle of a product and enable comparisons between products fulfilling the same function" (ISO, 2006). This follows the structure and applies a Life-Cycle Assessment approach to the entire Product stage from raw material through manufacturing (A1-A3))

**Kompan A/S**  
 C.F. Tietgens Boulevard 32C  
 DK-5220 Odense SØ  
 Denmark



## Verification of CO<sub>2</sub> calculation of: Freestanding play equipment



Data version no. 2023-10-05

The CO<sub>2</sub> calculation and data are in compliance with the principles of a carbon footprint impact according to the GHG protocol (Greenhouse Gas Protocol), Scope 3, cradle to gate related to all individual components in the product category: "Freestanding play equipment" represented by item no.: GXY916012-3417.

(Scope 3 emissions include emission sources in the upstream and downstream value chain).

**Date: 30. October 2023 | Valid until: 30. October 2025**

**Verified by:**

Julie Marie Vejsgaard Larsen, LCA & EPD Consultant

Verification based on report: Validation of CO<sub>2</sub> calculation of 9 categories of Kompan product line, version 1.0, prepared by: Bureau Veritas HSE, Denmark: Julie M. V. Larsen.

**Publication date: 30. October 2023**

**By Bureau Veritas HSE**  
 www.bureauveritas.dk  
 +45 7731 1000

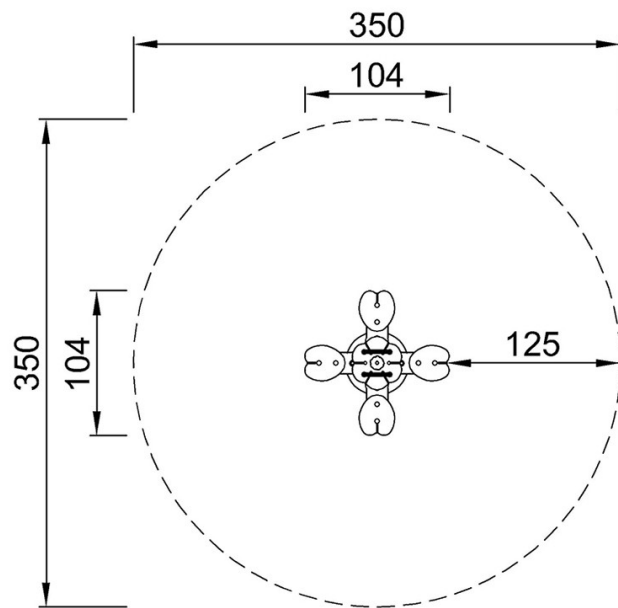


# Water Lilies

M175

\* Max fall height | \*\* Total height | \*\*\* Safety surfacing area

\* Max fall height | \*\* Total height



M17501  
\*60cm  
\*\*61cm  
\*\*\*9.6m<sup>2</sup>



M17501

[Click to see TOP VIEW](#)

[Click to see SIDE VIEW](#)