

# Super Combi 1, Supervised

FSW251

**KOMPANI**  
Let's play



Item no. FSW25100-0900

## General Product Information

Dimensions LxWxH	533x550x325 cm
Age group	13+
Play capacity (users)	13
Colour options	



The Super Combi 1 Supervised has the same options as the standard Super Combi 1 but in addition has a connector for battle rope, a connector for a boxing bag, and a station for barbell exercises. This item is intended for supervised or gated areas such as sports or fitness clubs as these loose items do not satisfy safety standards for public areas.



# Super Combi 1, Supervised

FSW251



Post are made of Ø101.6 x 2mm, pre-galvanized carbon steel and powder coated, a great protection to all conditions.



The snake ladder is made of hot-dip galvanized s235 steel with the following dimensions Ø38 x 4mm. The steel surfaces are hot dip galvanised inside and outside with lead free zinc. The galvanisation has excellent corrosion resistance in outside environments and requires low maintenance.



The rings are made of molded polycarbonate and TPE to ensure a good grip and soft surface. The rings are rotatable and allows for a large variety of exercises.

Item no. FSW25100-0900

### Installation Information

Max. fall height	200 cm
Safety surfacing area	46.3 m <sup>2</sup>
Total installation time	11.5
Excavation volume	0.83 m <sup>3</sup>
Concrete volume	0.50 m <sup>3</sup>
Footing depth (standard)	90 cm
Shipment weight	609 kg
Anchoring options	In-ground ✓ Surface ✓

### Warranty Information

EcoCore HDPE	Lifetime
Hot dip galvanised steel	Lifetime
PUR components	10 years
Spare parts guaranteed	10 years
Steel	10 years



The top plate for the jumping platform is made of Ekogrip® panels that consist of a 15 mm polyethylene bottom layer, with a 3 mm top-layer of thermoplastic rubber with a non-skid effect for safe jumping exercises under all-weather circumstances.



The plate for the target is made from 19mm EcoCore™ HDPE that consists of +95% recycled post-consumer material from e.g., food packing waste in both core and colorful outer layer.



The Dip-Station is designed with inclusive in mind, allowing wheelchair users to access the bars at either end. The two bars are placed at two different widths and heights – one narrow and high and one wide and low to allow for training of different individuals and muscle groups.

# Sustainability Data

FSW251



Cradle to Gate A1-A3	Total CO <sub>2</sub> emission	CO <sub>2</sub> e/kg	Recycled materials
	kg CO <sub>2</sub> e	kg CO <sub>2</sub> e/kg	%
<b>FSW25100-0900</b>	948.55	2.41	56.70

The overall framework applied for these factors is the Environmental Product Declaration (EPD), which quantifies "environmental information on the life cycle of a product and enable comparisons between products fulfilling the same function" (ISO, 2006). This follows the structure and applies a Life-Cycle Assessment approach to the entire Product stage from raw material through manufacturing (A1-A3))

**Kompan A/S**  
 C.F. Tietgens Boulevard 32C  
 DK-5220 Odense SØ  
 Denmark



## Verification of CO<sub>2</sub> calculation of: Fitness



Data version no. 2023-10-05

The CO<sub>2</sub> calculation and data are in compliance with the principles of a carbon footprint impact according to the GHG protocol (Greenhouse Gas Protocol), Scope 3, cradle to gate related to all individual components in the product category: "Fitness" represented by item no.: FAZ10100-0900.

(Scope 3 emissions include emission sources in the upstream and downstream value chain).

**Date: 30. October 2023 | Valid until: 30. October 2025**

Verified by:

Julie Marie Vejsgaard Larsen, LCA & EPD Consultant

Verification based on report: Validation of CO<sub>2</sub> calculation of 9 categories of Kompan product line, version 1.0, prepared by: Bureau Veritas HSE, Denmark: Julie M. V. Larsen.

**Publication date: 30. October 2023**

By Bureau Veritas HSE  
 www.bureauveritas.dk  
 +45 7731 1000

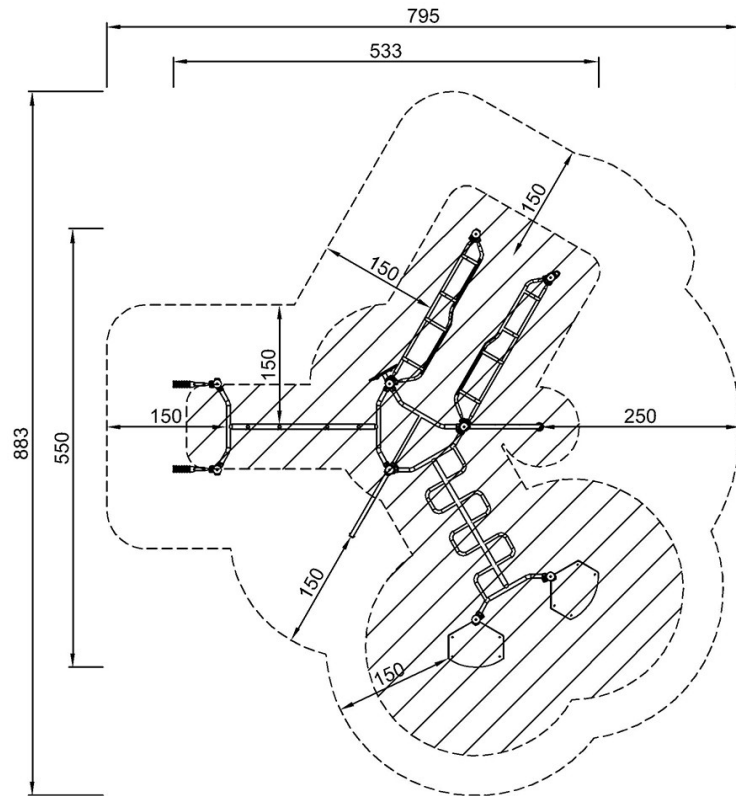


# Super Combi 1, Supervised

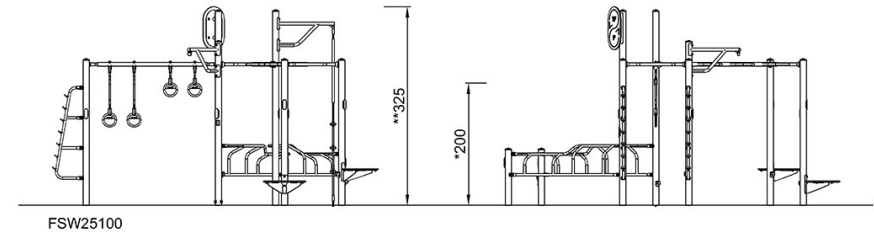
FSW251

\* Max fall height | \*\* Total height | \*\*\* Safety surfacing area

\* Max fall height | \*\* Total height



FSW25100  
\*200cm  
\*\*325cm  
\*\*\*46.3m<sup>2</sup>



[Click to see TOP VIEW](#)

[Click to see SIDE VIEW](#)