

Forest Lake Boat, without floor

NRO520



Item no. NRO520-1021

General Product Information

Dimensions LxWxH	145x333x250 cm
Age group	2+
Play capacity (users)	8
Color options	



The Forest lake boat without floor is a role play invitation like few others. The ship theme encourages hours of play, uniting children around a fantastic play starter theme: sailing off into unknown land. The seat in the rear and the turnable steering wheel add to imagination. The binoculars add to the nautical theme. These elements, apart from offering response and

variety in tactile stimulation, evoke the sense of wonder. They spark imagination and dramatic play. Dramatic play and role play function as children's way of playing through experiences they don't fully understand or that fascinate them. When doing so, they train their communication and language skills. Communication and turn-taking skills are also

trained. These help children avoid physical conflict. Eventually it will stimulate the ability to form friendships. The open sides allow play for all abilities.



Forest Lake Boat, without floor

NRO520



All Organic Robinia products by KOMPAN are made of Robinia wood from sustainable European sources. On request it can be supplied as FSC® Certified (FSC® C004450).



The paint used for coloured components is water based environmentally friendly with excellent UV resistance. The paint is in compliance with EN 71 Part 3.



The Robinia products are designed with a KOMPAN colour concept with a number of different standard colours. The wood can also be supplied as untreated or with brown painted with a pigment that maintains the wood colour.

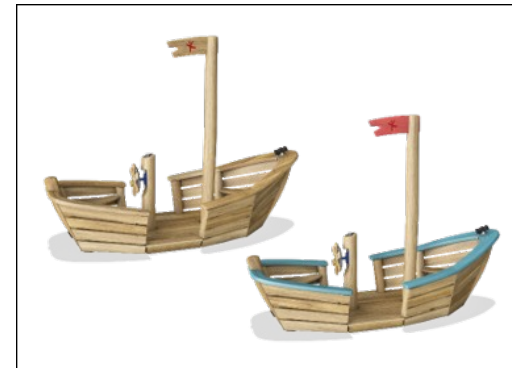
Item no. NRO520-1021	
Installation Information	
Max. fall height	100 cm
Safety surfacing area	23.0 m ²
Total installation time	8.7
Excavation volume	0.86 m ³
Concrete volume	0.00 m ³
Footing depth (standard)	100 cm
Shipment weight	615 kg
Anchoring options	In-ground ✓



The forest lake boat is available with a deck of Robinia wood or without a deck. The version without deck is tailored for rubber surfacing where the colour and theme of the surfacing is visible inside the boat.



The product/activities are preassembled from the factory to ensure all safety requirements are considered.



The Robinia wood can be supplied as untreated raw wood, painted with a brown coloured transparent pigment that maintains the golden wood colour or in a coloured version where selected components are painted in different colours.



Sustainability Data

NRO520



Cradle to Gate A1-A3	Total CO ₂ emission	CO ₂ e/kg	Recycled materials
	kg CO ₂ e	kg CO ₂ e/kg	%
NRO520-1021	90.60	0.17	0.90

The overall framework applied for these factors is the Environmental Product Declaration (EPD), which quantifies "environmental information on the life cycle of a product and enable comparisons between products fulfilling the same function" (ISO, 2006). This follows the structure and applies a Life-Cycle Assessment approach to the entire Product stage from raw material through manufacturing (A1-A3))

Kompan A/S
 C.F. Tietgens Boulevard 32C
 DK-5220 Odense SØ
 Denmark



Verification of CO₂ calculation of: Nature play



Data version no. 2023-10-05

The CO₂ calculation and data are in compliance with the principles of a carbon footprint impact according to the GHG protocol (Greenhouse Gas Protocol), Scope 3, cradle to gate related to all individual components in the product category: "Nature play" represented by item no.: NRO409-0621.

(Scope 3 emissions include emission sources in the upstream and downstream value chain).

Date: 30. October 2023 | Valid until: 30. October 2025

Verified by:

Julie Marie Vejsgaard Larsen, LCA & EPD Consultant

Verification based on report: Validation of CO₂ calculation of 9 categories of Kompan product line, version 1.0, prepared by: Bureau Veritas HSE, Denmark: Julie M. V. Larsen.

Publication date: 30. October 2023

By Bureau Veritas HSE
 www.bureauveritas.dk
 +45 7731 1000

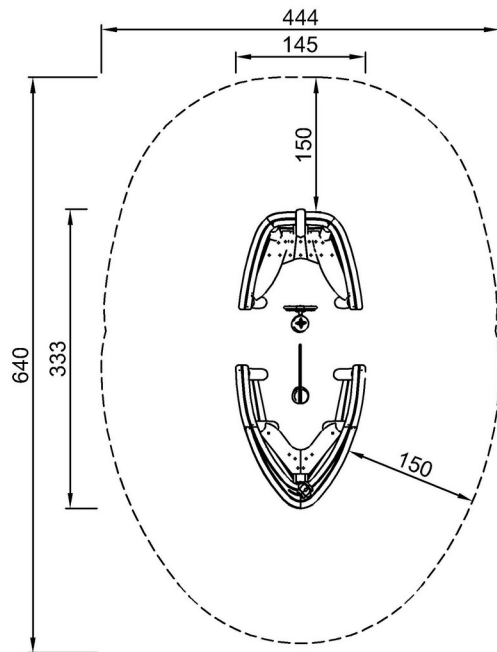


Forest Lake Boat, without floor

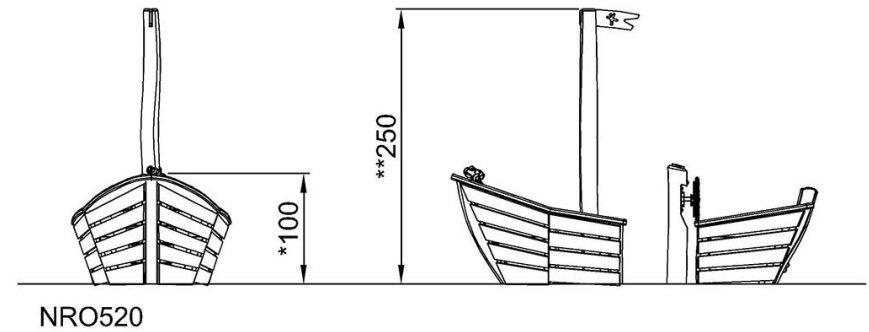
NRO520

* Max fall height | ** Total height | *** Safety surfacing area

* Max fall height | ** Total height



NRO520
*100cm
**250cm
***23m²



[Click to see TOP VIEW](#)

[Click to see SIDE VIEW](#)